



P-222SE

S/N PREFIX P2XA

PARTS MANUAL

JANUARY 2023

Cover.....	1
cover.....	1
QUICKIE P222 SE (S/N Prefix P2XA).....	5
QUICKIE P222 DISCONTINUED.....	5
GLOSSARY OF ABBREVIATIONS.....	8
BASE.....	8
FRAME.....	8
FRAME P222SE.....	9
INTERCONNECT ASSEMBLY P222 RNET & VR2.....	10
BATTERY BOX P222SE.....	12
TECHPAK.....	13
SHROUD.....	13
P222SE SHROUDS.....	14
MOTOR.....	14
MOTOR ASSEMBLY P222.....	15
DRIVE WHEEL.....	16
12 X 4 DRIVE WHEEL.....	17
12 X 3 DRIVE WHEEL.....	18
WHEEL LOCK.....	18
WHEEL LOCK PUSH TO LOCK.....	19
FORK & CASTER.....	19
FIXED FORK AND CASTER.....	20
SUSPENSION CASTER & FORK.....	22
ANTI-TIP.....	24
SEATING AND POSITIONING.....	24
SEAT.....	24
P222 SE SEAT FRAME INTERFACE.....	25
SEAT SLING.....	28
SEAT PAN.....	29
SEAT CUSHION.....	31
POWERED SEATING.....	31
INTEGRATED TILT MOUNTING ASSM RNET & VR2.....	32
INTEGRATED TILT SEATING ASSM.....	34
BACK.....	35
BACKRESTS.....	35
TRAD REHAB FOLDING BACKREST.....	36
TRAD. REHAB NON-FOLDING BACKREST.....	40
REHAB SOLID BACK.....	44
JAY PRECISION BACKREST.....	48
HEADREST.....	50
HEADREST.....	51
LATERALS.....	53
LATERAL PAD ASSEMBLY.....	53
HANGERS AND FOOTPLATES.....	53
SWING AWAY HANGERS.....	53
SWING AWAY EXT MOUNT HANGERS.....	53
HANGERS.....	53
70 DEGREE SWING-AWAY HANGER.....	54
EXTENSIONS.....	55
DOUBLE D FOOTREST EXTENSION TUBE "OLD STYLE".....	56
FOOTPLATES.....	57
COMPOSITE FOOTPLATE.....	58
ADULT ANGLE-ADJ FOOTPLATE EXT MOUNT (POWER REAR WHEEL DRIVE).....	60
KIDS ANGLE ADJUSTABLE FOOTPLATE EXT MOUNT.....	62
ALUMINUM FOOTPLATE & EXT.....	64
MULTI-POSITION FOOTPLATE.....	65
TWO PIECE LOCKING FOOTPLATE.....	68
SOLID ONE PIECE FOOTREST.....	70
SWING AWAY FRONT MOUNT HANGERS.....	74
HANGERS.....	74
90 DEGREE SWING-AWAY HANGER.....	75
90 DEGREE SWING-AWAY HANGER (DISC.4-21-15).....	77
FOOTPLATES.....	77
ADULT ANGLE-ADJ FOOTPLATE FRONT MOUNT.....	78
KIDS ANGLE ADJ FOOTPLATE FRONT MOUNT.....	80
TRAD REHAB SWING AWAY HANGER RECEIVER.....	83
FIXED HANGERS.....	83
FIXED TAPERED HANGER.....	84
FIXED TAPERED HANGER -DISCONTINUED.....	86
FIXED STRAIGHT HANGER.....	88

FIXED STRAIGHT HANGER -DISCONTINUED.....	90
MANUAL ELR'S	91
MANUAL ELR HANGERS.....	91
POWER CHAIR ELR.....	92
ELR & ALR CALF PAD 14 -15".....	94
ELR & ALR CALF PAD 16-20".....	95
ELR ALUMINUM FOOTPLATE.....	96
ARMREST.....	97
DUAL POST HEIGHT ADJUSTABLE FLIP-BACK ARMREST.....	98
DUAL POST FIXED HEIGHT ARMREST.....	100
SINGLE POST HEIGHT ADJUSTABLE ARMREST (POWER PRODUCTS).....	102
SINGLE-POST HT ADJUSTABLE ARMREST RECEIVER.....	104
DUAL-POST HT ADJUSTABLE FLIP-BACK ARMREST RECEIVERS.....	105
ELECTRONICS.....	106
JOYSTICKS AND CONTROLLERS.....	106
RNET ELECTRONICS.....	106
R NET JSM REMOTE JOYSTICKS.....	107
R NET CJSM REMOTE JOYSTICKS.....	108
RNET CONTROLLER P222.....	110
R NET OMNI DISPLAY & COMPACT JOYSTICK.....	111
OPTIONAL JOYSTICK HANDLES.....	113
JOYSTICK ARM ROUND TUBE.....	114
R NET/VR2 PROGRAMMER.....	115
VR2 ELECTRONICS.....	115
VR2 JOYSTICKS.....	116
VR2 CONTROLLER P222.....	118
OPTIONAL JOYSTICK HANDLES.....	119
JOYSTICK ARM ROUND TUBE.....	120
HEIGHT ADJ CLAMP FOR ROUND ARM JOYSTICK MOUNT (SPHA & DUAL POST ARMRESTS).....	121
R NET/VR2 PROGRAMMER.....	122
ATTENDANT CONTROL ASSEMBLY.....	123
HEIGHT ADJ CLAMP FOR ROUND ARM JOYSTICK MOUNT (SPHA & DUAL POST ARMRESTS).....	125
TM 40 WITH TOGGLE.....	126
OFF BOARD BATTERY CHARGERS.....	127
WIRING.....	127
WIRING P222.....	128
TILT SYSTEM HARNESSSES P222.....	130
SPECIALTY CONTROLS.....	130
MINI JOYSTICK.....	131
QUICKIE SIP N PUFF.....	132
MINI PROPORTIONAL CHIN CONTROL.....	133
SINGLE SWITCH DEVICES.....	134
ASL MINI JOYSTICK HAND CONTROL.....	135
ASL HEAD ARRAY PACKAGE S/N Prefix PLS & M710,M715,M720.....	136
R NET OMNI DISPLAY & COMPACT JOYSTICK.....	138
BATTERIES.....	139
BATTERIES.....	140
BATTERY BOX P222SE.....	141
LIGHTS.....	141
LIGHT ASSEMBLY P222.....	142
R NET ACCESSORY ELECTRONICS P222.....	143
ACCESSORIES.....	143
BACKPACKS AND POUCHES.....	143
BACKPACKS AND SEAT POUCHES.....	144
CELL PHONE PACK.....	145
QUICKIE SIDE POCKET.....	146
POWER CORD POUCH.....	147
POSITIONING BELTS.....	147
AUTO BUCKLE POSITIONING BELTS.....	148
POSITIONING BELT (VELCRO & PLASTIC BUCKLE).....	149
TRAYS.....	149
TUFFAK TRAY(POWER CHAIRS).....	150
QUICKIE CADDY.....	151
HIGH WHEEL LOCK EXTENSION HANDLE.....	152
MANUAL WHEELCHAIR CONVERSION KIT.....	153
TIRE PUMP.....	160
Back Cover.....	160
Product.....	161



Dear Valued Customer,

As of **06/30/2021**, the sale of **Quickie P222** has been discontinued. In compliance with Sunrise Medical's policy, replacement parts will continue to be available until **06/30/2026 or until supplies last**.

Effective **06/30/2026**, replacement parts for the **Quickie P222** will be obsolete and therefore no longer available for sale.

Sincerely,
Sunrise Medical

Description

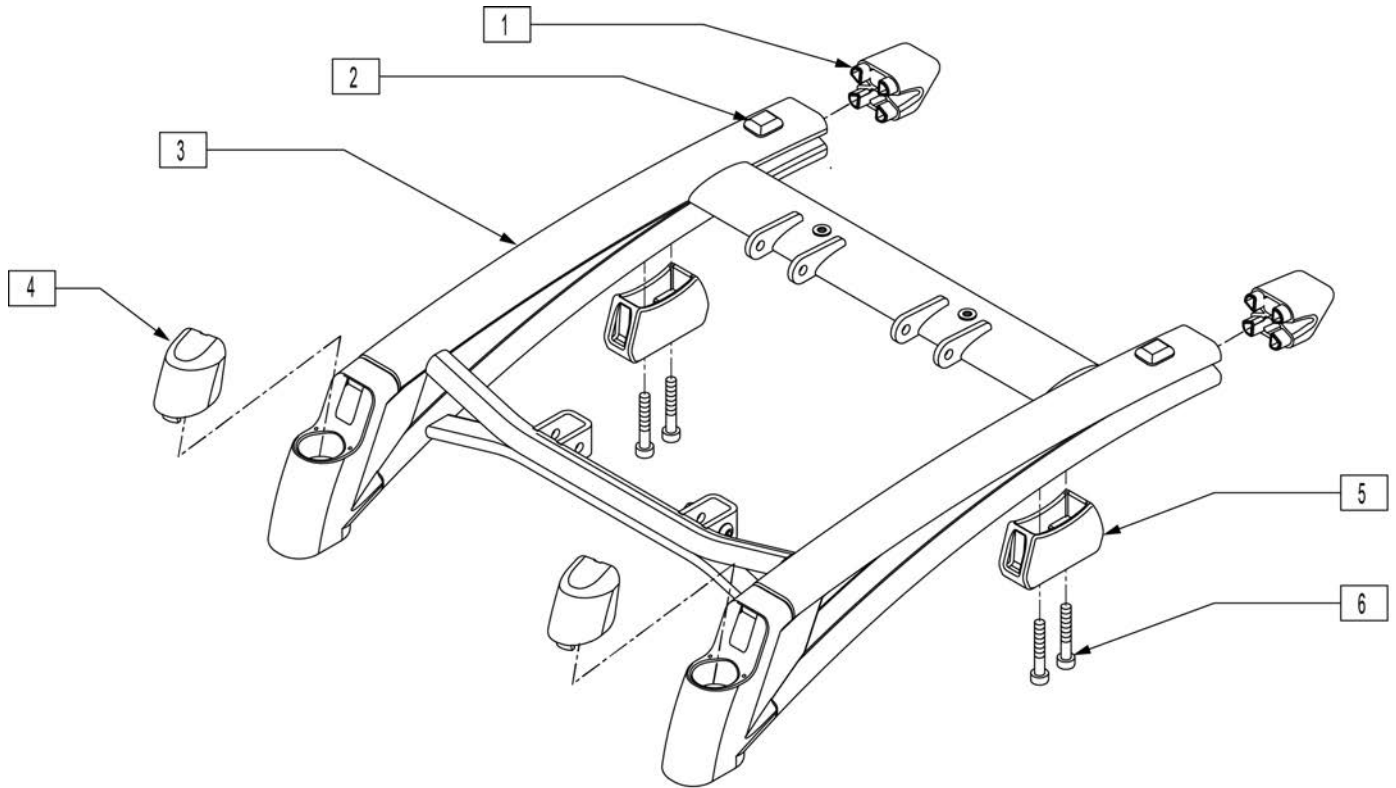
DISCONTINUED PRODUCT

GLOSSARY OF ABBREVIATIONS

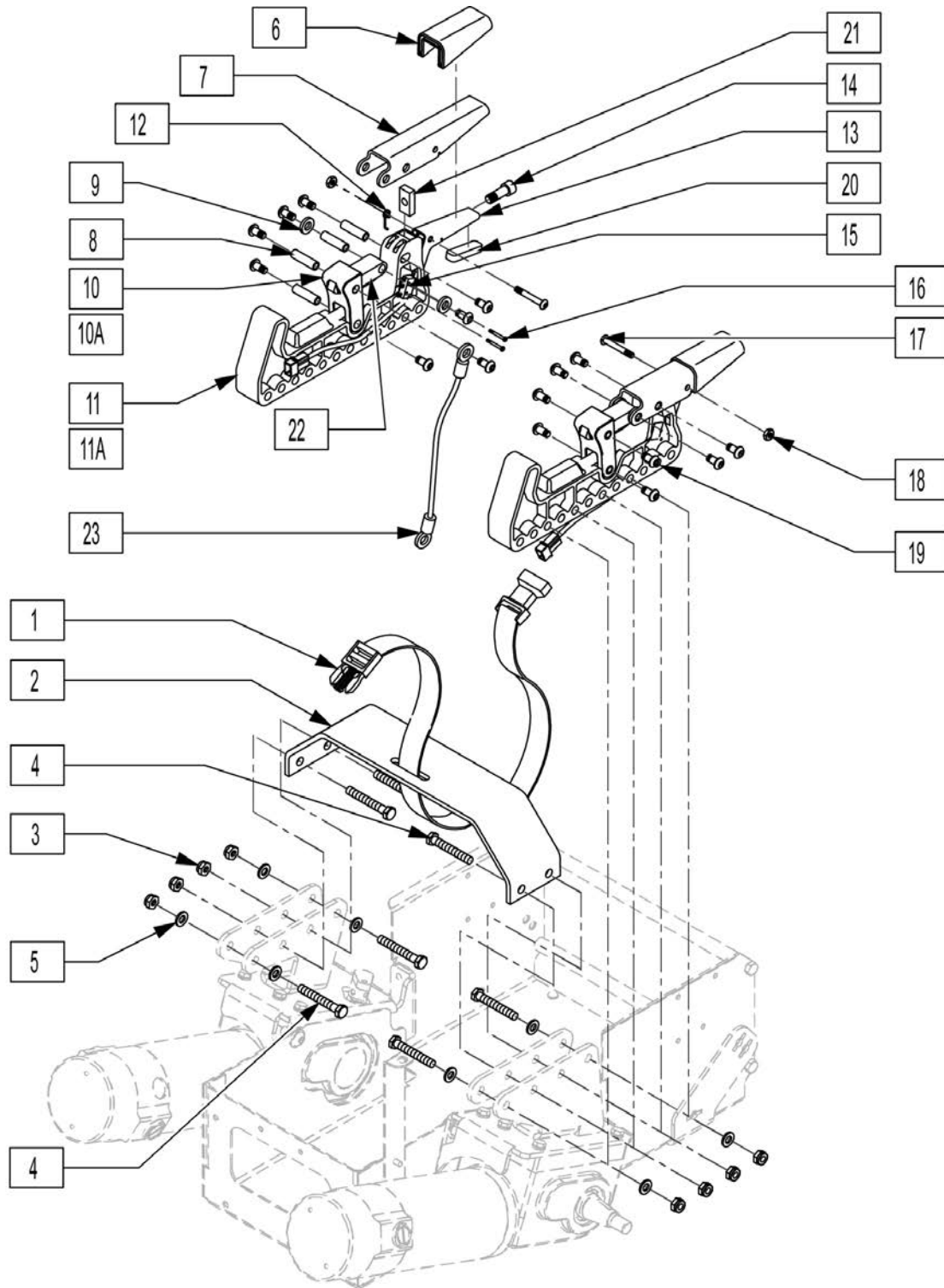
Note: see Informations Panel for file.

1AD One Arm Drive	CZ Cozy	INH Inhibit	PCB Pediatric Center of Gravity (AKA: Zippie Iris)	S/A Swing Away
3DCR 3DX Microclimatic cover for Cryo style inserts	DAB Depth-adjustable Back	INORG Inorganic coating	PCM Power Center Mount	S/F Side F-Frame
AAA Adult Angle Adjustable	DB Dynamic Back	INSRT Insert	PED Pediatric	SCW Screw
AACM Adult Angle Adjustable Center Mount	DBL Double	I/O Swing In Out	PEL Pelvic	SDLE Saddle
ABD Abductor	DC Deep Contour	IRIS Intelligent Rotation in Space	PH Push Handle	SG Side Guard
AC All Court	DL Desk Length	ISM Intelligent Seating Module	PHIL Phillips	SGTG Super Grip Thumb Guard
AD Arm Drive	DP Dual Post Armrest	JA Jay Active	P/L Pin Lock	SHCS Socket Head Cap Screw
ADJ Adjustable	D-Post Dual Post Armrest	JNR Junior	PL Plated	SHLDR Shoulder
ADPT Adapter	DRP Drop (seat)	KAA Kids Angle Adjustable	PLL Pull	SHT Short
AE Air Exchange	DRV Drive	KDS Kids	PLT Plate	SLD Solid
AHAB ASAP II	DTT Diagnostic Test Tool	KT Kit (usually consists of all mounting hardware for one side)	PLST Plastic	SLNG Sling
ANG Angle	DY Dynamic Back	KVLR Kevlar	PLY Plywood	SLTD Slotted
ALR Articulating Legrest	EA Each	KZ Quickie Kidz/Zippie Kidz	PNEU Pneumatic	SLV Sleeve
ALUM Aluminum	ELR Elevating Legrest	L Left	PNK Pink	SM Small
AMH Adjustable Mounting Hardware	EXT Extension	LAT Lateral	PNT Paint	SNGL Single
ANO Anodized	EXTND Extended	LCK Lock	PNTD Painted	SOC Socket
ASAP Adjustable Seating and Positioning	F Folding Frame	LFH Left Front Horizontal	POLY Polyurethane	SPCR Spacer
ASL Adaptive Switch Laboratories	FHCS Flat Head Cap Screw	LFT Left	POST Posterior	SPEC CLR Specify Color
ASM Assembly (includes other parts)	FL Full Length	LFV Left Front Vertical	PR Pressure Relieving	SFHIA Single Post Height Adjustable
ASSM Assembly	FLD Folding	LH Left Hand	PR Power Recline	SPK Spoke
ASSMLY Assembly	FL FT Flip-up Footrest	LH Left Horizontal	PR Pair	SPR Super Grip Handrim
ASSY Assembly	FLP Flip	LK Lock	(PR) Pair	SQZ Squeeze
AT Anti-tip	FLRD Flared	LNG Long	PRCR Premium Leatherette cover for Cryo style inserts	SS Stainless Steel
ATT Attachment	FM Foam	LO Lift Off	PRE-ISC Pre-Ischial	ST Seat
BB Basketball	FM Front Mount	L/O Left Off	PREM Premium Leatherette cover material	ST/AP Self Tapping
BC Breezy Chrome	FNDR Fender	LP Loop	PROJ Projection	STCR Stretch Cover for Cryo Style inserts
BCK Back	FPH Folding Push Handle	LPS Loops	PRPL Purple	STD Standard
BCKBRD Backboard	FT Foot	LRG Large	PTL Partial	STL Style
BH Bultion Head	F/REST Footrest	LRH Left Rear Horizontal	PSH Push	STR Stretch cover material
BHCS Bultion Head Cap Screw	FRNT Front	LRV Left Rear Vertical	PT Point	STRLR Stroller
BKL Buckle	FT PLT Footplate	LS Low Sheer	PTRN Pattern	STRT Straight
BKRST Backrest	FTRST Footrest	LT Long Tab	PWR Power	SUP Support
B-LOCK Back Lock	F/UP Flip-up	LT Natural Fit Lite Handrims	Q1 Quickie 1	SYS System
BLD Build Up	FWD Front Wheel Drive	LTRL Lateral	Q2 Quickie 2	T Tab
BLK Black	FXT Fixed	LUMB Lumber	Q2HIP Quickie 2 High Performance	TG Thumb Guard (std)
BLU Blue	G8 Grade 8 higher grade = stronger	LV Left Vertical	QC Quickie Carbon	THRD Threaded
BR Breezy	GP Quickie GP	LW Low	QR Quick Release	Ti Titanium
BRD Board	GPS Quickie GPS	LX Quickie LX	QRx Quickie RX	TL Tall
BRNG Bearing	GPV Quickie GPV	LXI Quickie LXi	QTI Quickie Titanium	TLC Tilt Lift Comb
BRKT Bracket	GNRC Generic	MACH Machine	QT/QTs Quickie Tilt & Space	TLT Tilt
BSHNG Bushing	H Hole	MECH Mechanism	QUAD Quadrant Pad	TNNS Tennis
BTTN Bultion	HB High Brake	MED Medium	R Right	TIS Tilt-in-Space
BTTRY Battery	HD Head or Heavy Duty	mm Millimeter	RCLNR Recliner	TTS Tilt-in-Space
BZ Breezy	HVD Heavy Duty	MNT Mount	REC Receiver	UNIV Universal
CAA Composite Angle Adjustable	HDRST Headrest	MNTG Mounting	REG Regular	UNTHRD Unthreaded
CG Center of Gravity	HDWR Hardware	MOD Modify or Modification	REL Release	UPH Upholstery
CGT Center of Gravity Tilt (AKA: IRIS)	HEX Hexagon	M/S Machine Screw	REV Reverse	VERT Vertical
CHRGR Charger	HH Hemi-Height or Hex Head	MWD Mid Wheel Drive	RH Right Hand	W With
CJSM Color Joystick Module	HK Hook	Nat.Fit Natural Fit Handrim	RH Right Horizontal	W/ With
CLMP Clamp	HL Heel Loops	NAUG Naugahyde	RFH Right Front Horizontal	W/F Water Fall
CLNCHR Cincher	HM High Mount	NF Non-folding	RFV Right Front Vertical	W/O Without
CLR Clear	HNDL Handle	NF Natural Fit Handrim	RNUT(S) Rivnut(s)	WHL Wheel
COMP Complete	HNGR Hanger	NFLT Natural Fit Lite Handrim	RoHS Restriction of Hazardous Substances	WLDMNT Weldment
CMPST Composite	HP High Pressure	NR Non-recessed	RR Rear	XS Cross Spoke
CRM Chrome	HR Handrim	OBLIQ Obliquity	RRH Right Rear Horizontal	YLW Yellow
C/S Cap Screw	HRDWR Hardware	OD Oblique	RRV Right Rear Vertical	Z2 Zippie 2
C-S Countersunk	HRNSS Harness	OD Outer/Outside Dimension	RT Right	ZN Zinc
CSTR Caster	HS High Speed	O/S Old Style	RV Right Vertical	ZP Zippie
CUSH Cushion	HT Height or Heat Treated	OUTBRD Outboard	RV Quickie Revolution	ZP2 Zippie 2
CV Conventional	ID Inner/Inside Dimension Diameter	P1 Quickie P100	RWD Rear Wheel Drive	
CVR Cover	IN In/Out (for swing in/out hangers)	P2 Quickie P200	SA Swing Away	
CVRS Covers	INBRD Inboard	P3 Quickie P300		
CYL Cylinder	INC Incontinent	P5 Quickie/Zippie P500		

Pos.	Item Number	Description	Remarks
		GLOSSARY OF ABBREVIATIONS	see attachment in Informations Panel

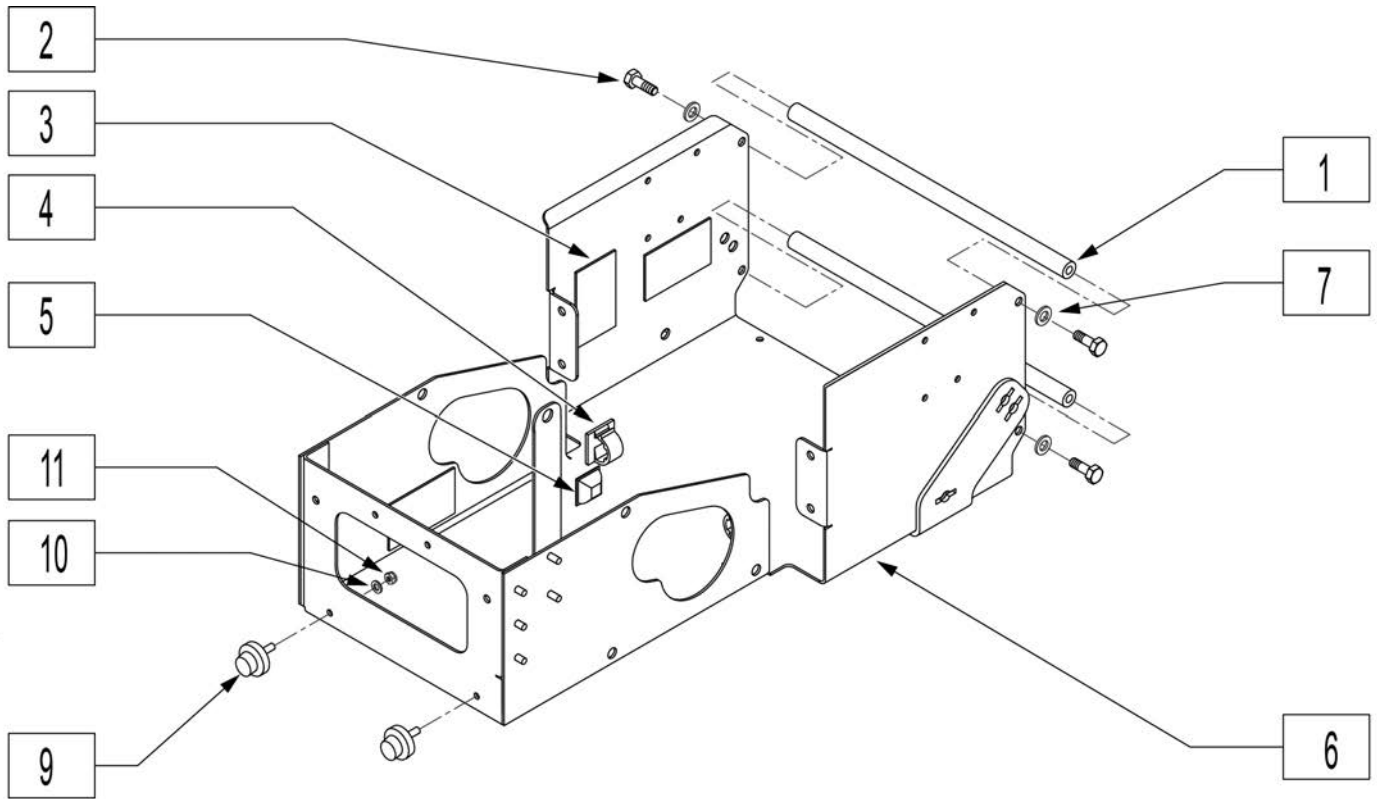


Pos.	Item Number	Description
1	560025	SIDE FRAME CAP P222
2	349578	RUBBER SUBBASE BUMPER
4	560026	CASTER CAP P222
5	483238	MALE INTERCONNECT P222
6	226272	3/8-16 x 3/4 SOC C/S BLK
3,5,6	660051S	P220/P222 BASE 14"-18" WIDE
3,5,6	660052S	P220/P222 BASE 19"-20" WIDE
3,5,6	660053S	P220/P222 BASE 22"-24" WIDE
1-6	660724S	BASE FRM P220 14"-18" WIDE
1-6	660725S	BASE FRM P220 19"-20" WIDE
1-6	660726S	BASE FRM P220 20"-24" WIDE



Pos.	Item Number	Description	Pos.	Item Number	Description
1	750092	BATTERY STRAP QTS TK	6	560314	INTERCONNECT HANDLE COVER P222
2	887239	TECHPAK SPREADER BAR ASSM	7	506211	INTERCONNECT HANDLE P222
3	202111	5/16-24 NYLOCK NUT THICK BLK	8	522400	INTERCONNECT PIVOT BAR
4	222190	5/16-24 x 2 HEX C/S	9	560313	INTERCONNECT BUSHING P222
5	263100	5/16 AN WASHER FLAT	10	502255	INTERCONNECT PRESS P222

Pos.	Item Number	Description	Pos.	Item Number	Description
11	502300	INTERCONNECT REC	18	200100-QU	10-32 NYLOCK NUT
12	320000	INTERCONNECT SPRING LEFT	19	226071	1/4-28 x 1/2 BH C/S BLK
12	320001	INTERCONNECT SPRING RIGHT	20	341219	FINGER PAD W/PSA
13	506210	INTERCONNECT LOCK BRKT P222	21	481203	INTERCONNECT ADJ PLATE P222
14	222090	5/16-24 x 7/8 SH C/S W/PATCH	22	483749	INTERCONNECT LINK P222
15	119076	HARN P222 INTERLOCK RNET/VR2	23	139046	STATIC STRAP
16	281013	2-56 x 1/2 PAN PHIL M/S BLK	6-14,16-23	120613	INTRCNNCT RCVR ASSM RIGHT
17	226038	10-32 x 1 3/8 BH C/S BLK	6-14,16-23	120614	INTRCNNCT RCVR ASSM LEFT

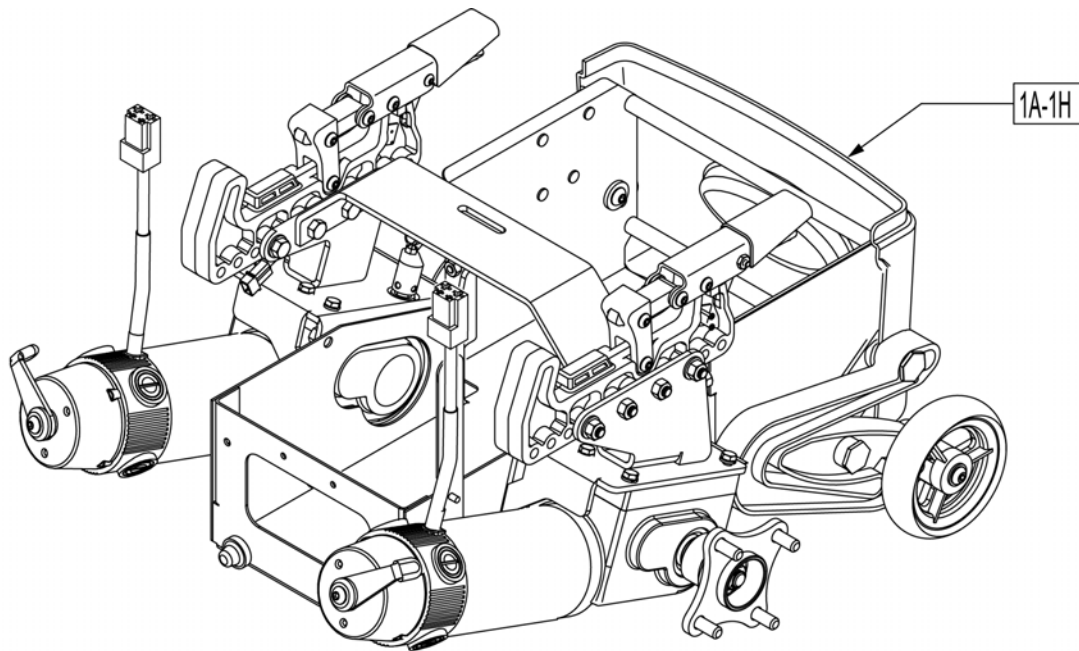


Pos.	Item Number	Description
1	506168	BATTERY SUPPORT CROSS BAR P222
2	221102	1/4-28 x 3/4 HEX C/S BLK W/PAT
3	334000	DAMPING SHEET
4	341220	BATTERY CABLE CLIP
5	349578	RUBBER SUBBASE BUMPER
7	106943	1/4 AN WASHER FLAT
8	560707	TAPERED BUMPER 1/4-20 X 1/2
9	106943	WASHER FLAT AN 1/4 ROHS
10	201136	1/4-20 NYLOCK NUT HIGH
1-10	122193	BATTERY BOX COMPLETE

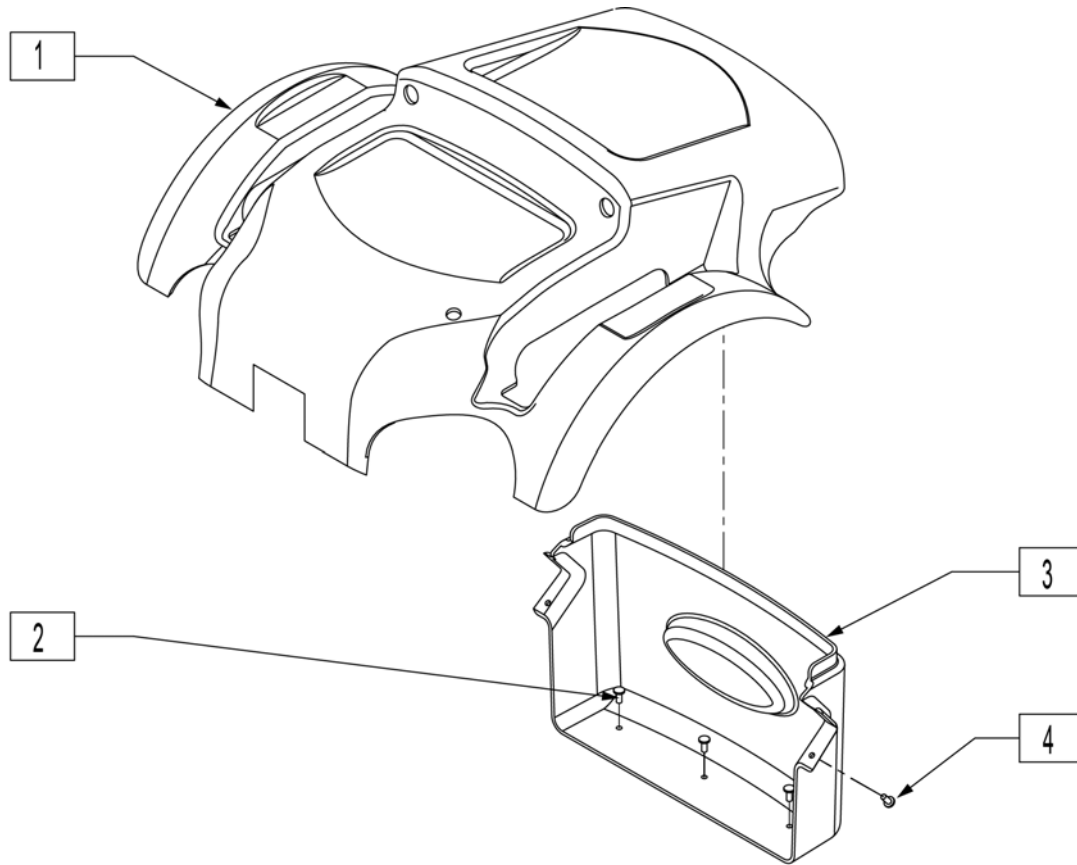
Note: Rear Shroud included.

Note: Teck Pak includes controller.

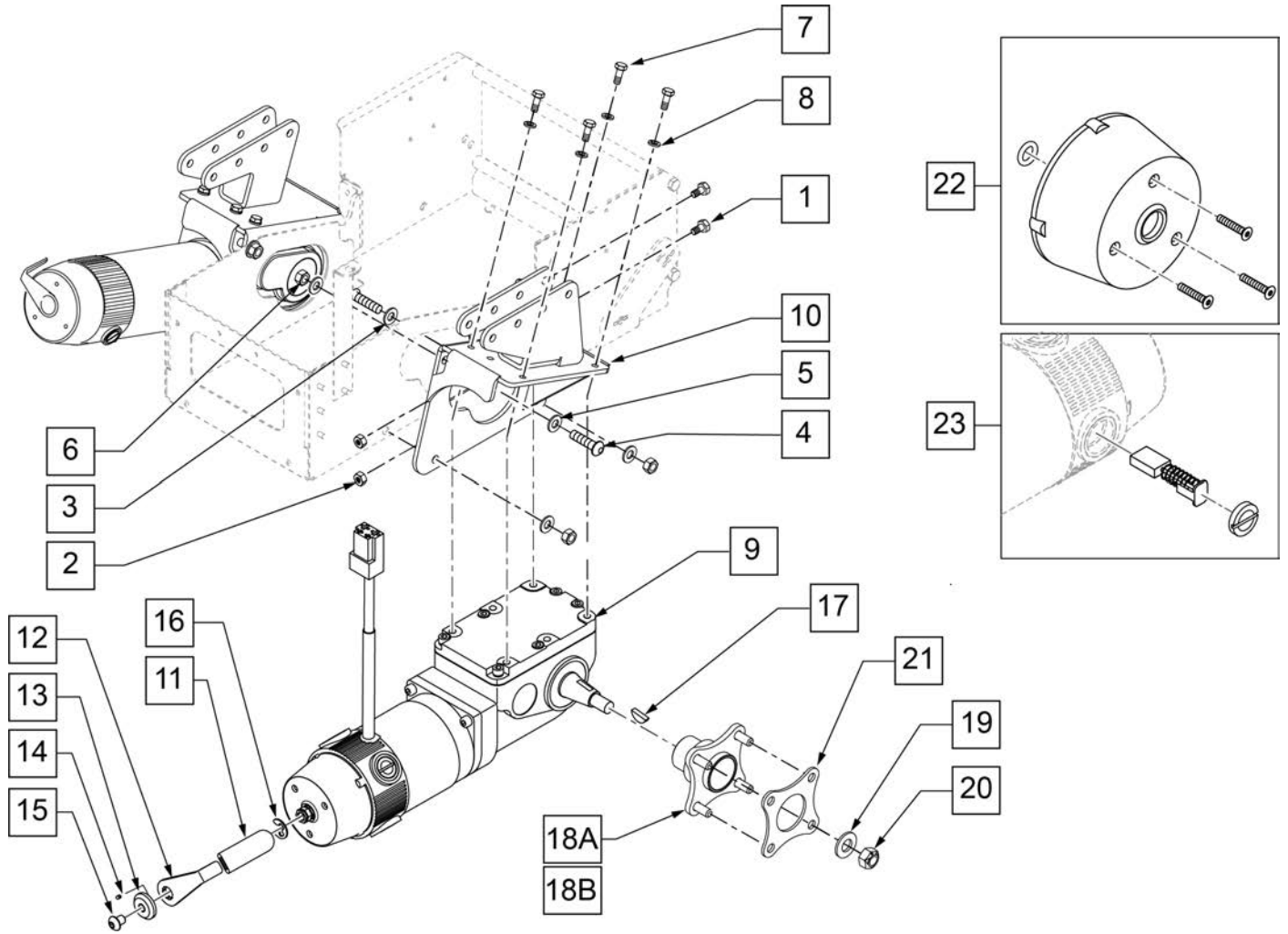
Note: Techpak does not include Shorting Plug; order p/n 116467 if required.



Pos.	Item Number	Description	Remarks
1A	120615	TCHPK STD P222 W/O DR WHL RNET	includes 90amp Controller
1B	120616	TCHPK WD P222 W/O DRV WHL RNET	includes 90amp Controller
1C	121901	TCHPK STD P222 W/O WHL VR2 DR ONLY	
1D	121902	TCHPK WD P222 W/O WHL VR2 DR ONLY	
1E	121903	TCHPK STD P222 W/O WHL VR2 TILT	
1F	121904	TCHPK WD P222 W/O WHL VR2 TILT	
1G	126066	TCHPK P222 STD W/O DW PM120	includes 8mph Motors w/ RNET PM120 Controller
1H	126067	TCHPK P222 WD W/O DW PM120	includes 8mph Motors w/ RNET PM120 Controller



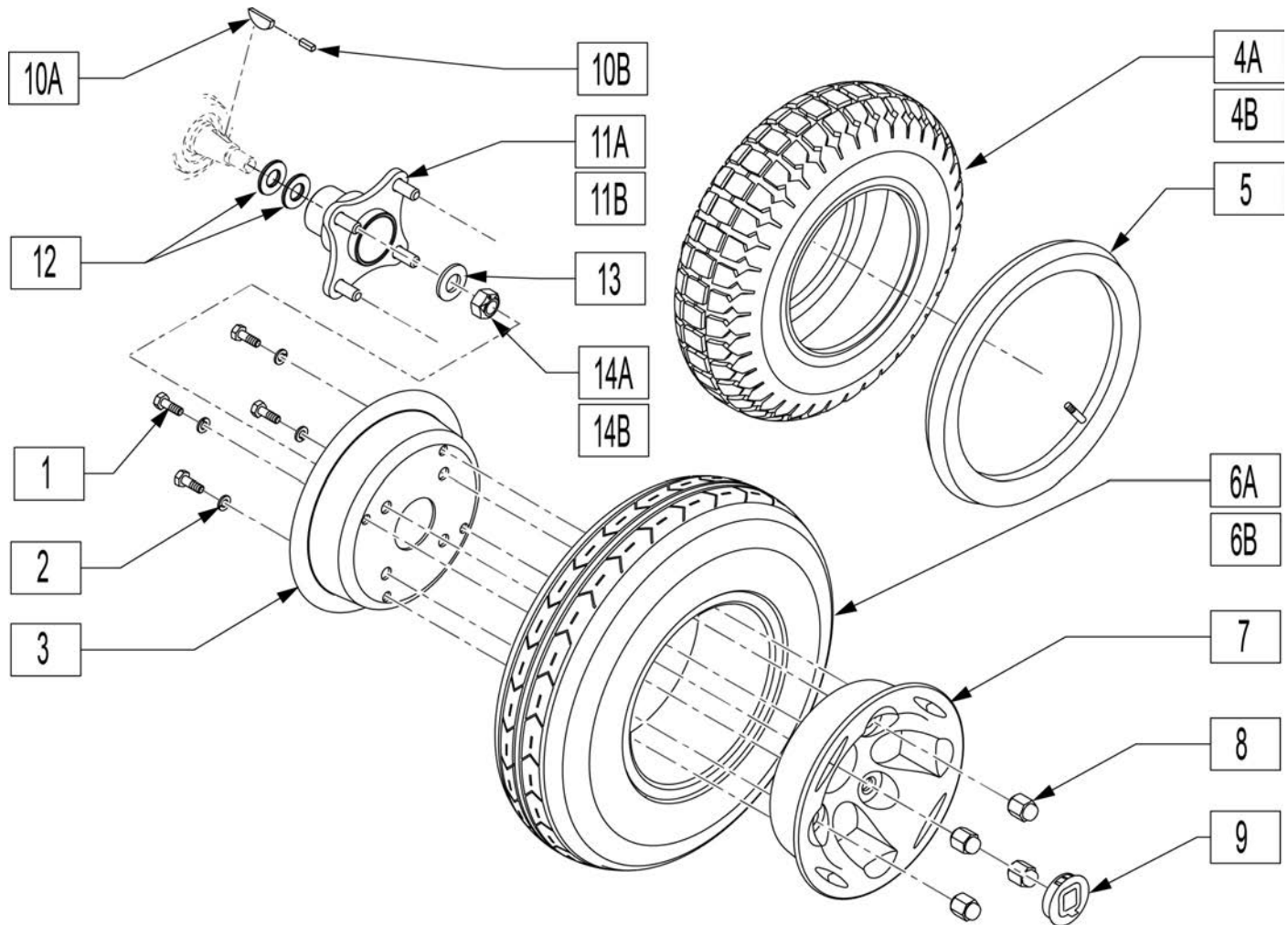
Pos.	Item Number	Description
1	121868	TOP SHROUD STD ASSM
1	121869	TOP SHROUD WIDE ASSM
2-4	882275	REAR SHROUD ASSM P222 SE



Pos.	Item Number	Description	Remarks
1	221093	1/4-28 x 1/2 HEX C/S	
2	202300	1/4-28 NYLOCK NUT THIN BLK ZN	
3	262143	5/16 LOCK WASHER INT/EXT TOOTH	
4	106979	BHCS 5/16-18 X 3/4 ROHS	
5	106946	WASHER FLAT AN 5/16 ROHS	
6	202117	5/16-18 NYLOCK NUT THICK BLK	
7	234813	M6 X 1.0 X 35 HHCS 10.9	
8	262122	1/4 WASHER LOCK ZN	
10	120941	MTR MNT/INTRCNCT WLDMNT STD R	
10	120942	MTR MNT/INTRCNCT WLDMNT STD L	
10B	542527	MTR MNT/INTRCNCT WLDMNT WIDE R	Wide
10B	542528	MTR MNT/INTRCNCT WLDMNT WIDE L	Wide
11	341269	#606 WOODRUFF KEY STEEL	
11-16	116067	MTR BRAKE REL HANDLE KIT	
17	341269	#606 WOODRUFF KEY STEEL	
18A	501548	WHEEL HUB TS RCKWLL GRBOX	(12x4)
18B	362246	HUB .85" OFFSET ID B TS	(12x3)
19	264101	1/2 WASHER HARDENED FLAT	
20	210002	M12 x 1.75 ALL MTL PREV TRQ NT	
21	505961	WHEEL HUB FLANGE 1/8" SPACER	(P222SE 12 x 4 HUB ASSM)

Pos.	Item Number	Description	Remarks
22	112283	COVER BRAKE	
23	112281	BRUSH KIT 4 PL	includes 4 brushes & 4 caps
9,11-17,18A-21	162450	MTR/HUB 13KPH RH P222 12X4	Right
9,11-17,18A-21	162451	MTR/HUB 13KPH LH P222 12X4	Left
9,11-17,18B-21	162452	MTR/HUB 13KPH 4 P222 12X3	Right
9,11-17,18B-21	162453	MTR/HUB 13KPH LH P222 12X3	Left

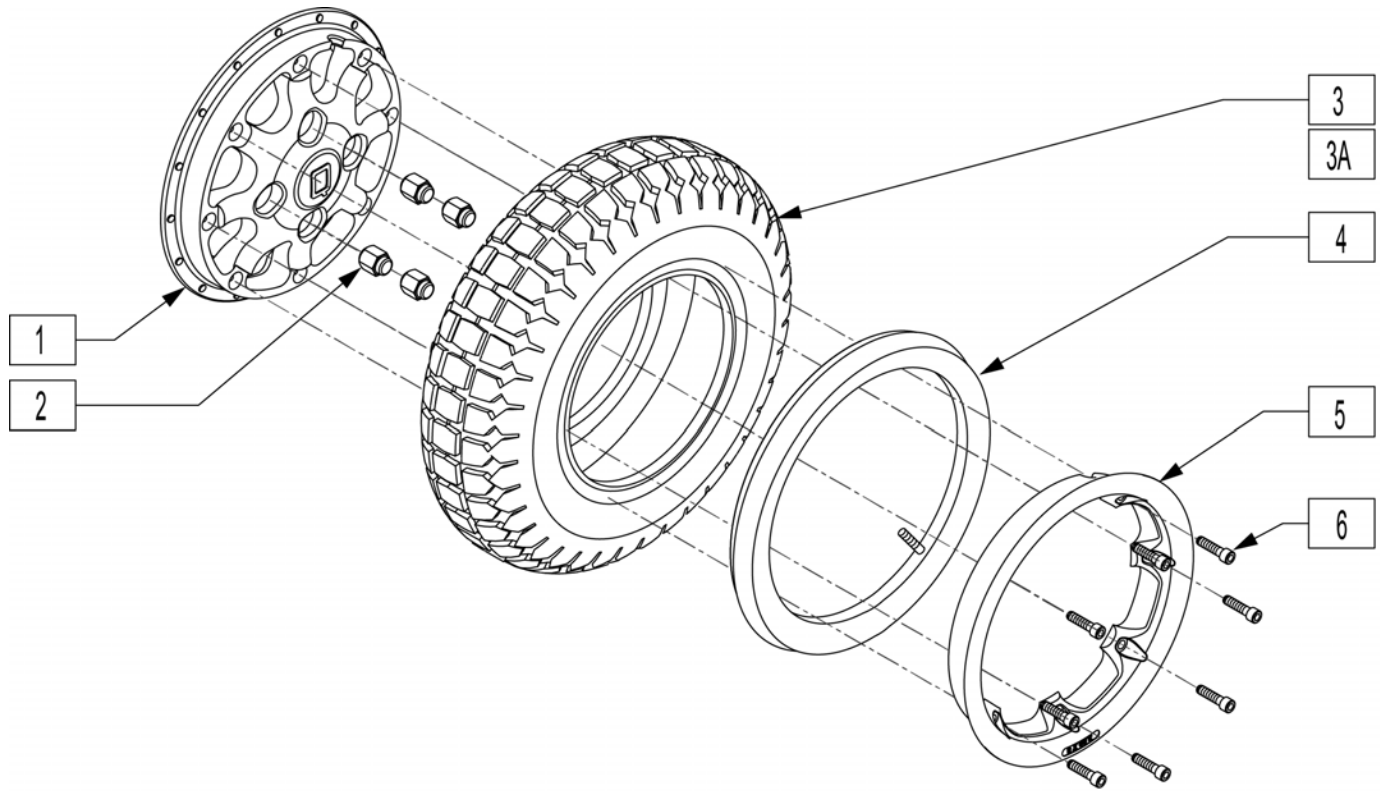
NOTE: IF CONVERTING FROM 12" X 3" DRIVE WHEELS TO 12" X 4" DRIVE WHEELS OR VICE VERSA, THEN THE HUB MUST BE REPLACED. PLEASE REFER TO THE "MOTOR ASSEMBLY" PARTS MANUAL PAGE FOR APPROPRIATE HUB PARTS.



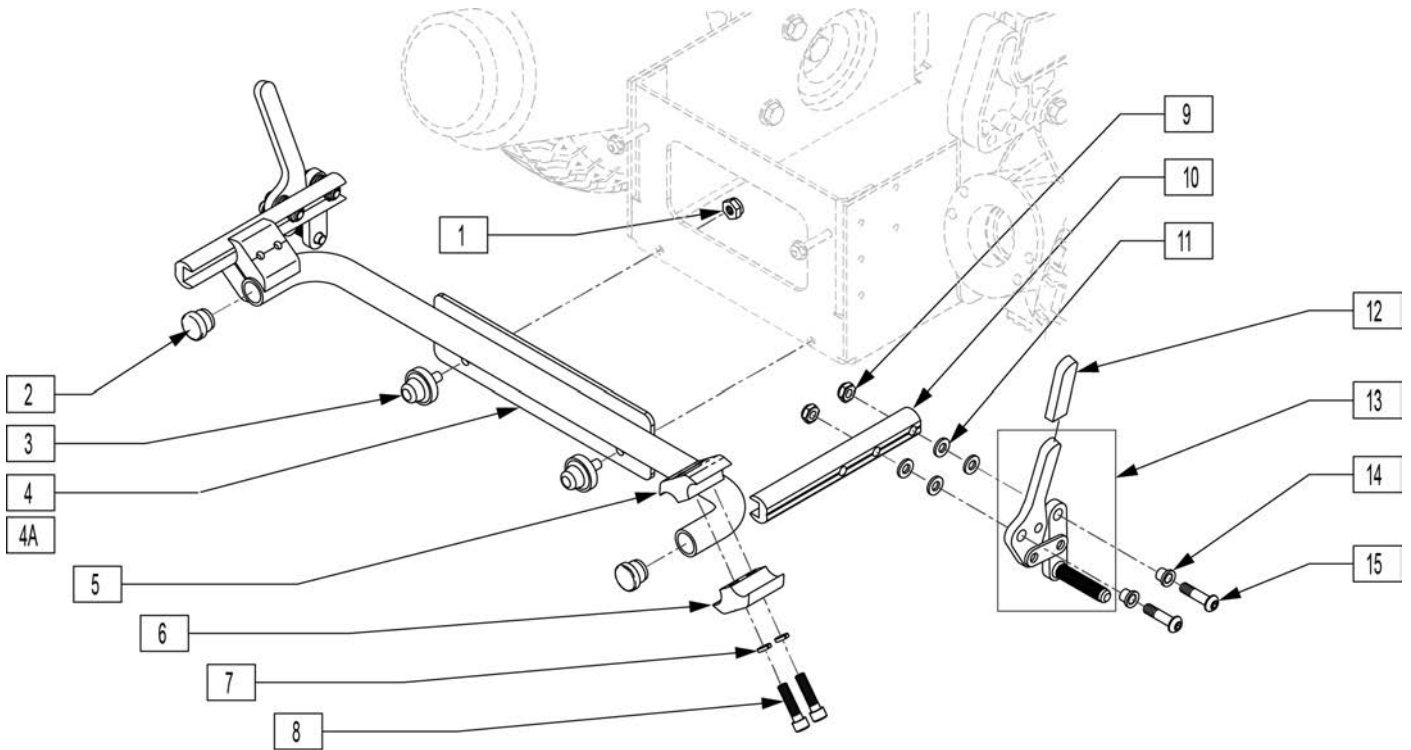
Pos.	Item Number	Description	Remarks
1	221105-QU	1/4-20 x 3/4 HEX C/S	
2	262122	1/4 WASHER LOCK ZN	
3	400781	12 x 4 INNER RIM BOLT-THRU	
4	384303	3.50 x 12" KNOBBY TIRE	
4A	384305	3.50 x 12" KNOBBY W/INSERT	
5	384729	INNER TUBE 12" x 3.50"	
6	384300	3.50 x 12" V-GROOVE TIRE	
6A	384302	3.50 x 12" V-GRV W/INSRT	
7	400780	12 x 4 OUTER RIM THREADED	
8	200135	CONICAL LUG NUT	
9	567002	WHEEL HUB CAP S525/G424	
1-3,5-7	761870	12" MAG PNEU V-GRV WHEEL ONLY	Pneumatic
1-3,6A,7	761871	12" MAG INST V-GRV WHEEL ONLY	Solid insert
1-5,7	761872	12" MAG PNEU KNBBY WHEEL ONLY	Pneumatic
1-3,4A,7	761873	12" MAG INST KNBBY WHEEL ONLY	Solid insert

Note: If converting from 12" X 3" Drive Wheels to 12" X 4" Drive Wheels or vice versa, then the hub must be replaced. Please refer to the "Motor Assembly" page for appropriate hub parts.

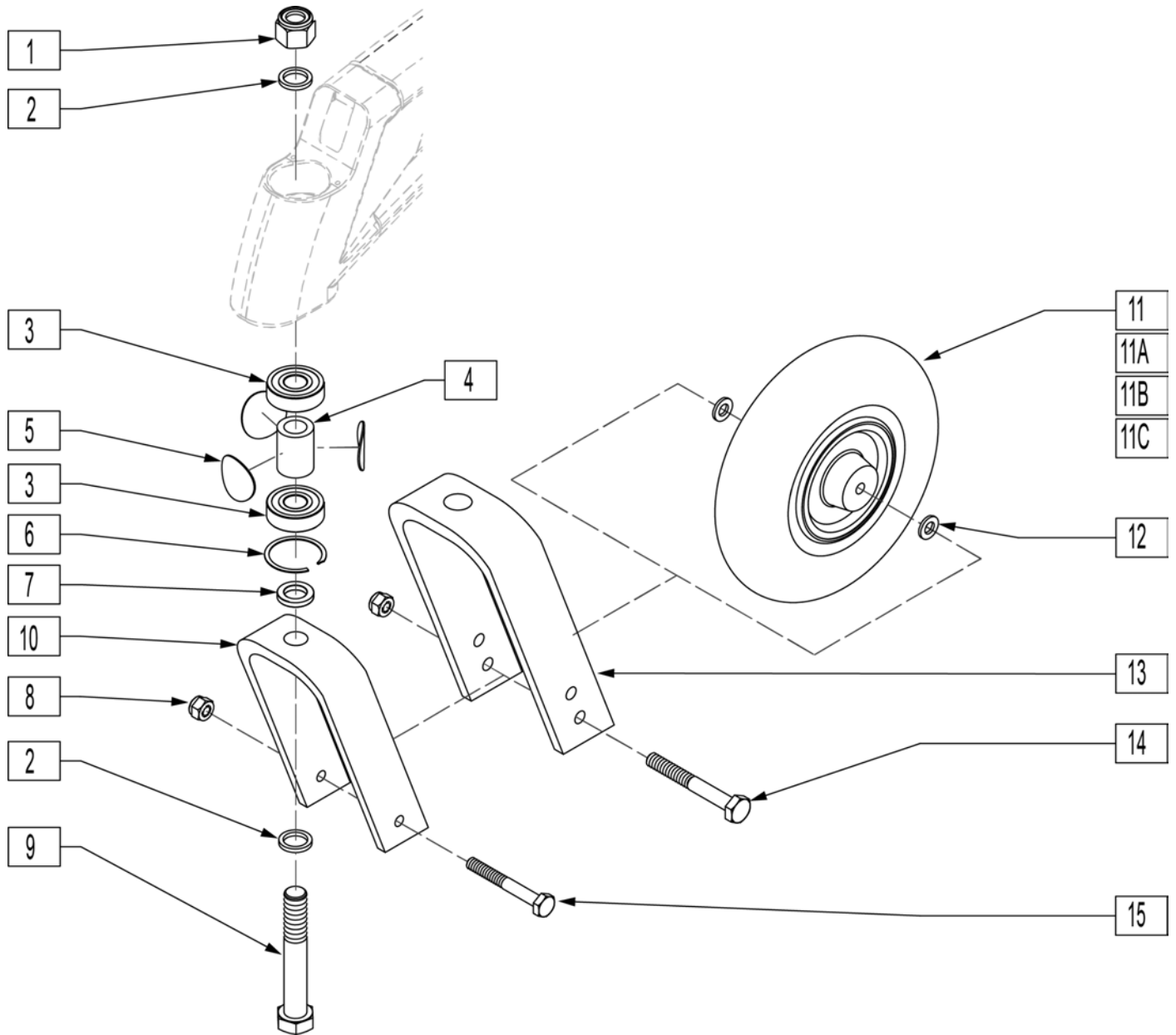
Note: as of Oct 2013 P/N 125457 utilizes Dual Density Tires, consider replacing in pairs.



Pos.	Item Number	Description	Remarks
1	400782	INNER WHEEL 8 SPOKE	
2	200135	CONICAL LUG NUT	
3	382301	TIRE KNOBBY 2.50-8 (C-177) (12 x 3)	
3A	382303	TIRE KNOBBY 2.50-8 FOAM FILL (12 x 3)	
4	384739	INNER TUBE 14" x 3" 90D STEM	
5	400784	OUTER WHEEL WIDE	
6	221116	1/4-20 x 1 SOC HD BLK	
1,3-6	761858	12 x 3 MAG PNEU KNOBBY TIRE ASSM	Pneumatic
1,3A,5,6	125457	DR WHL ASSM 12 CST 8 SPK SLD	Foam Fill



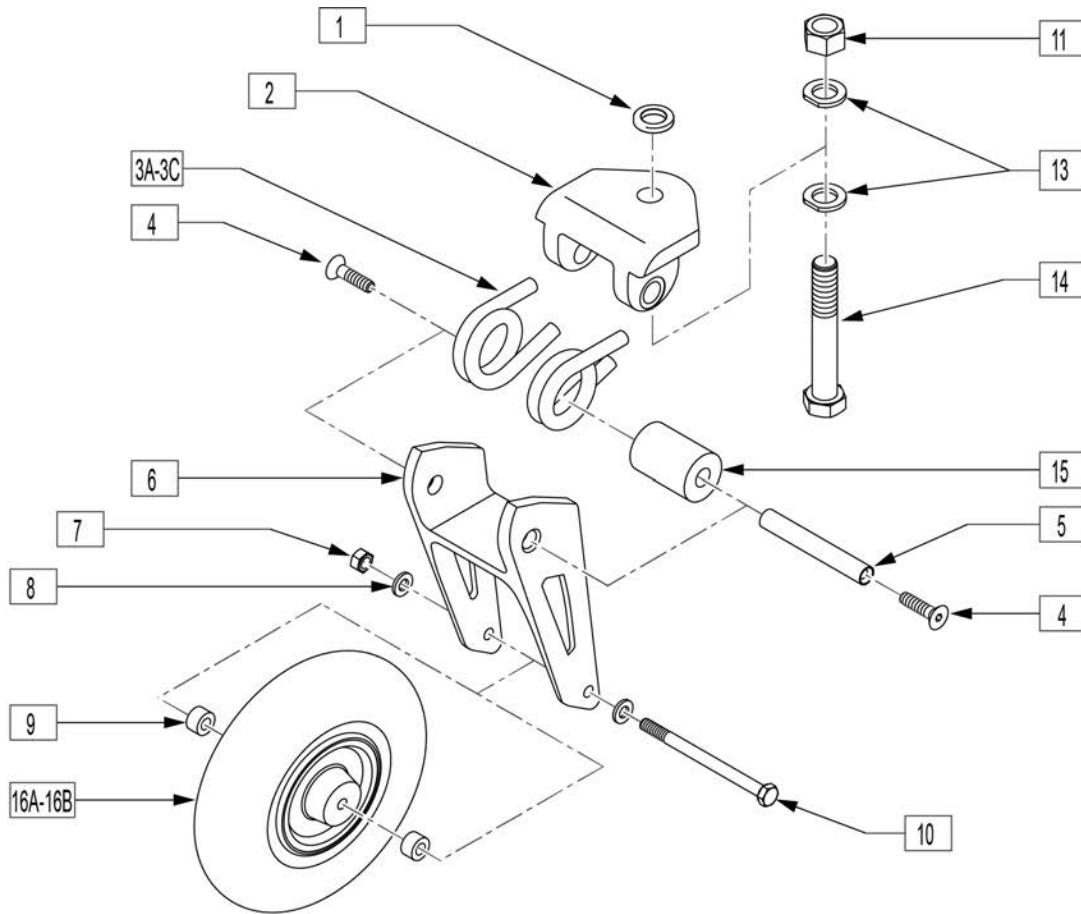
Pos.	Item Number	Description
1	106932	1/4-20 NYLOCK NUT HIGH
2	561000-QU	3/4" INSERT PLUG .083
3	560707	TAPERED BUMPER 1/4-20 x 1/2
4	545557	WHLLOCK MOUNT WLDMNT STD P220
4A	545558	WHLLOCK MOUNT WLDMNT WIDE P220
5	550725	CLAMP 3/4"-3/4"THR D HALF ST/DT
6	550724	CLAMP 3/4"-3/4"TOP HALF ST/DT
7	262114	1/4 WASHER HI COLLAR LOCK ZN
8	107032	1/4-28 x 1 SOC C/S BLK
9	106941	1/4-28 AUTOMATION NUT
10	550623	WHL LCK SLIDE BLOCK MED BLK
11	561028	1/4" NYLON WASHER
12	560500-QU	HB PLASTIC COVER
14	560126	.250 ID .312 OD BUSHING PLST
15	226125	1/4-28 x 1 1/8 BH C/S
5-8	880588	WHL LCK CLAMP ASSM BLK ST/DT (EA)
9-15	881960	WHL LCK PUSH LG R RVS W/O CLMP
9-15	881961	WHL LCK PUSH LG L RVS W/O CLMP
2,4-15	881250	WHL LCK PSH ASSM STD W/CLMP (PR)
2,4A,5-15	881251	WHL LCK PSH ASSM WIDE W/CLMP (PR)



Pos.	Item Number	Description	HPCP
1	203108	5/8-18 NUT NYLOCK	
2	250098	M16 HARDENED NRRW FLAT WASHER	
3	349609	BEARING 40 x 5/8 x 12 THK	
4	526063	BEARING SPACER CASTER	
5	561265	ANTI FLUTTER DISC .080 x 1.350	
6	320021	RETAINING RING CASTER BRNG	
7	481480	CASTER FORK SPACER	
8	202106	5/16-24 NYLOCK NUT THIN BLK	
9	226334	5/8-18 x 4 HEX HEAD C/S	
10	550787	8 x 2 FORK S626	
11	400700	8" x 2" CMPST W/PNEU & BEARING	K0071
11A	400750	9 x 3 CSTER WHL ASSM PNEU S626	K0071
11B	400702	8" x 2" CMPST W/PNEU INSRT&BRG	K0072

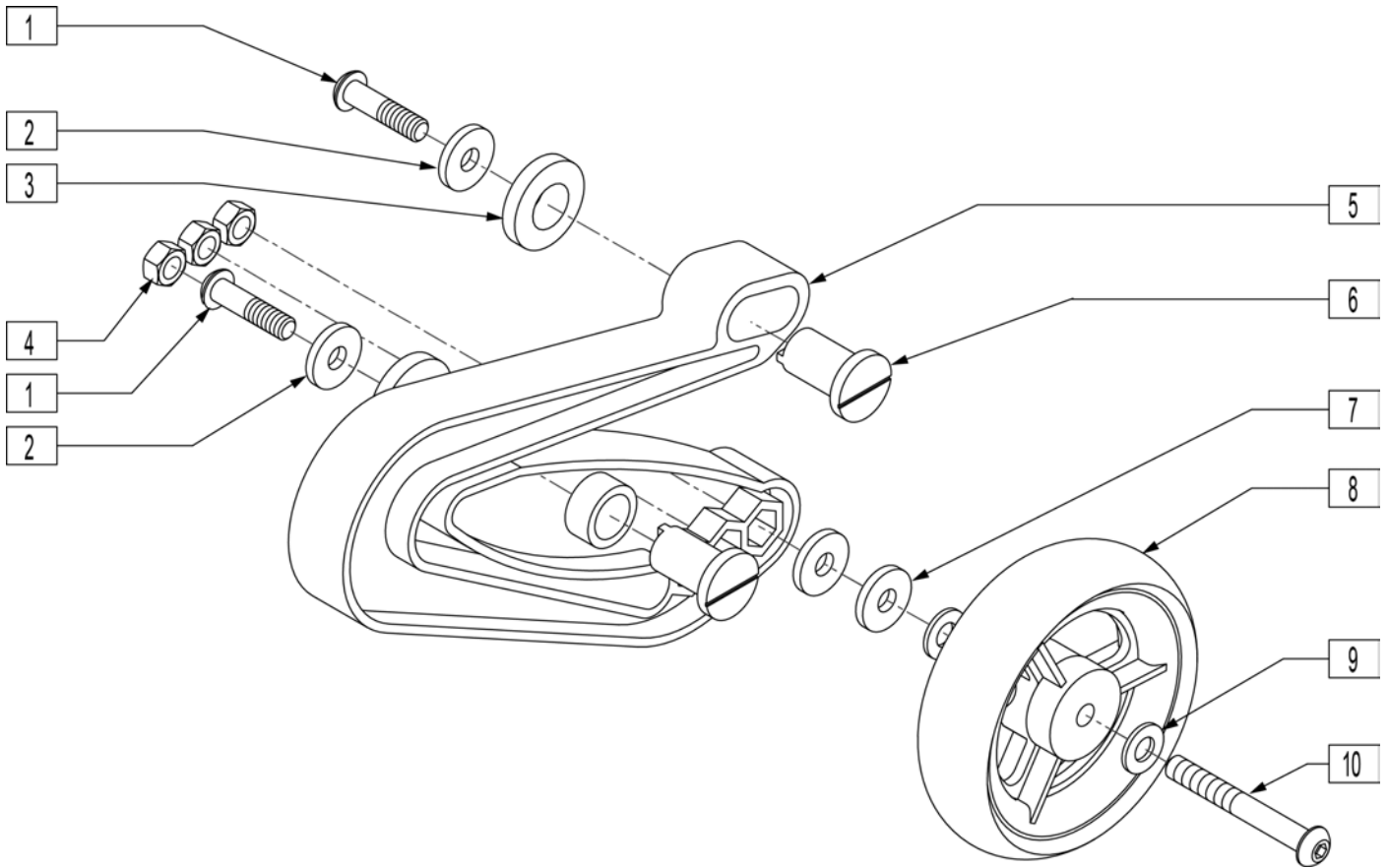
Pos.	Item Number	Description	HCPC
11C	400751	9 x 3 CSTR WHL ASSM SOLID S626	K0077
12	263100	5/16 AN WASHER FLAT	
13	550696	10 x 3 CASTER FORK S626	
14	222206	5/16-24 x 4-3/4 HH C/S GR8 BK ZN	
15	222257	5/16-24 x 3 1/2" G8 HEX C/S	
1,2,7-10,12,15	781000	8" x 2" FORK/STEM W/HDWR S626	
1,2,7-9,12-14	781001	9" x 3" FORK/STEM W/HDWR S626	
1,2,7,9,10	781003	8" x 2" FORK/STEM S626	
1,2,7,9,13	781004	9" x 3" FORK/STEM S626	
1,2,7-12,15	787146	FIXED FORK PNEU 8x2 ASSM S626	
1,2,7-9,11A,12-14	787147	FIXED FORK PNEU 9x3 ASSM S626	
1,2,7-10,11B,12,14	787148	FIXED FRK SLD IN 8x2 ASSM S626	
1,2,7-9,11C,12-14	787149	FIXED FRK SLD IN 9x3 ASSM S626	

NOTE: (Effective 1/20/03)

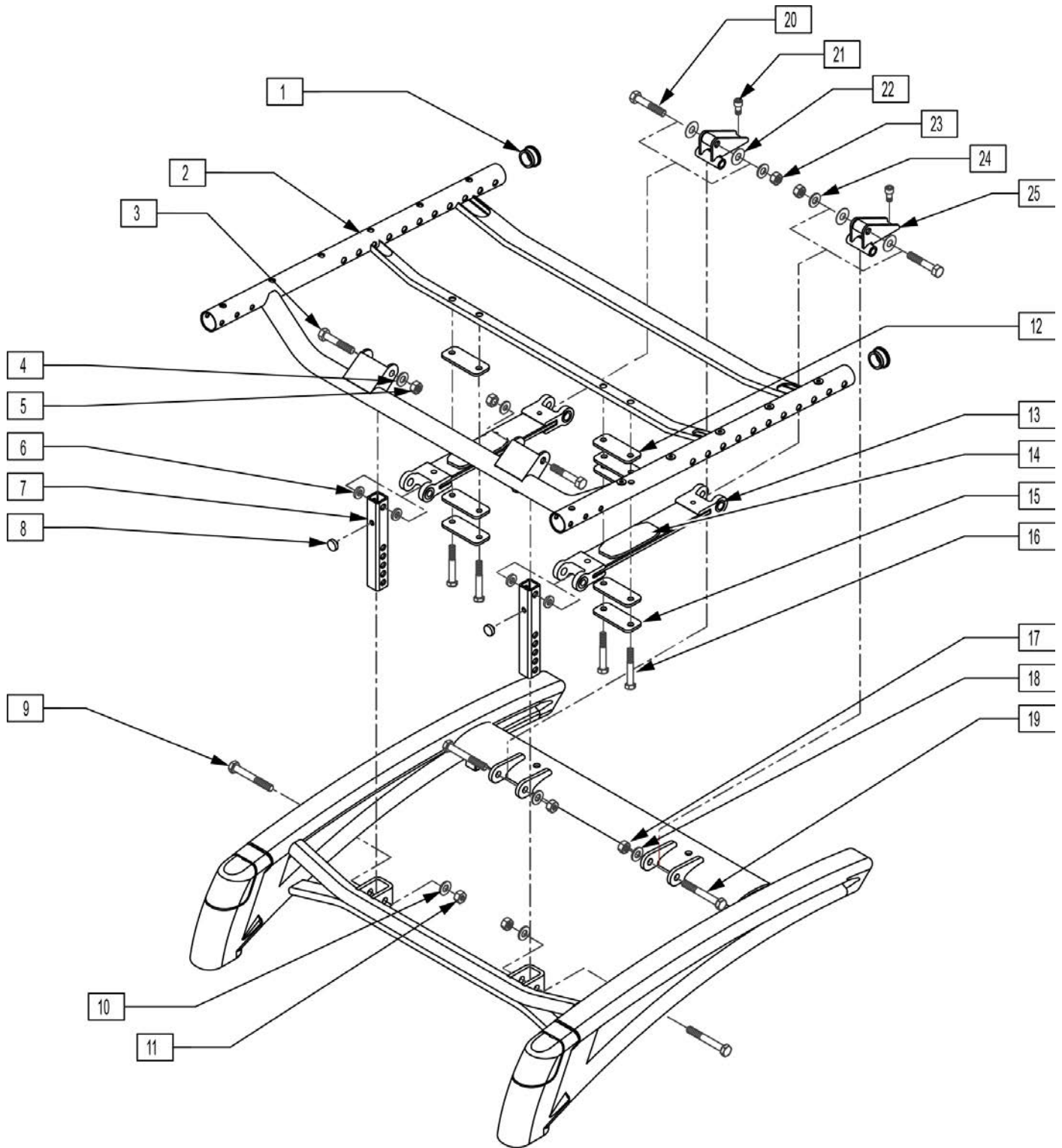


Pos.	Item Number	Description	HGPC	Remarks
1	481480	CASTER FORK SPACER		
2	505804	SUSP FORK TOP PLT ASSM		
3A	321738	TORSION SPRING .33 RH		RIGHT - 151-250lbs
3A	321737	TORSION SPRING .33 LH		LEFT - 151-250lbs
3B	321740	TORSION SPRING .36 RH		RIGHT - 251-400lbs
3B	321739	TORSION SPRING .36 LH		LEFT - 251-400lbs
4	222296	5/16-18 x 1-1/4 FH C/S W/PATCH		
5	481484	FRONT SUSPENSION PIVOT SHAFT		
6	506155	FRONT SUSP FORK		
7	202106	5/16-24 NYLOCK NUT THIN BLK		
8	263100	5/16 AN WASHER FLAT		
9	505934	SPACER 8 x 2 CASTER		
10	222261	5/16-24 x 4-1/4 HHCS GR8 BK ZN		
11	203108	5/8-18 NUT NYLOCK		
13	250098	5/8 CASTER FORK WASHER		
14	226334	5/8-18 x 4 HEX HEAD C/S		
15	560484	SPRING CENTER DAMPENER		
16A	400702	8" x 2" CMPST W/PNEU INSRT&BRG	K0072	
16B	400700	8" x 2" CMPST W/PNEU & BEARING	K0071	

Pos.	Item Number	Description	HCPC	Remarks
2,3A-6,13-15	787251	SUSP, FORK ASSM, .33 SPRNG		151-250lbs
2,3B-6,13-15	787252	SUSP, FORK ASSM, .36 SPRNG		251-400lbs
1,-3A,4-15	787261	SUSP FORK ASSM .33 SPRNG W/HDW		151-250lbs
1,-3B,4-15	787262	SUSP FORK ASSM .36 SPRNG W/HDW		251-400lbs
1,-3A,4-16A	787271	SUSP FRK .33 SPRNG 8x2 INSERT		151-250lbs
1,-3B,4-16A	787272	SUSP FRK .36 SPRNG 8x2 INSERT		251-400lbs
1,-3A,4-16B	787274	SUSP FRK .33 SPRNG 8x2 PNEU		151-250lbs
1,-3B,4-16B	787275	SUSP FRK .36 SPRNG 8x2 PNEU		251-400lbs



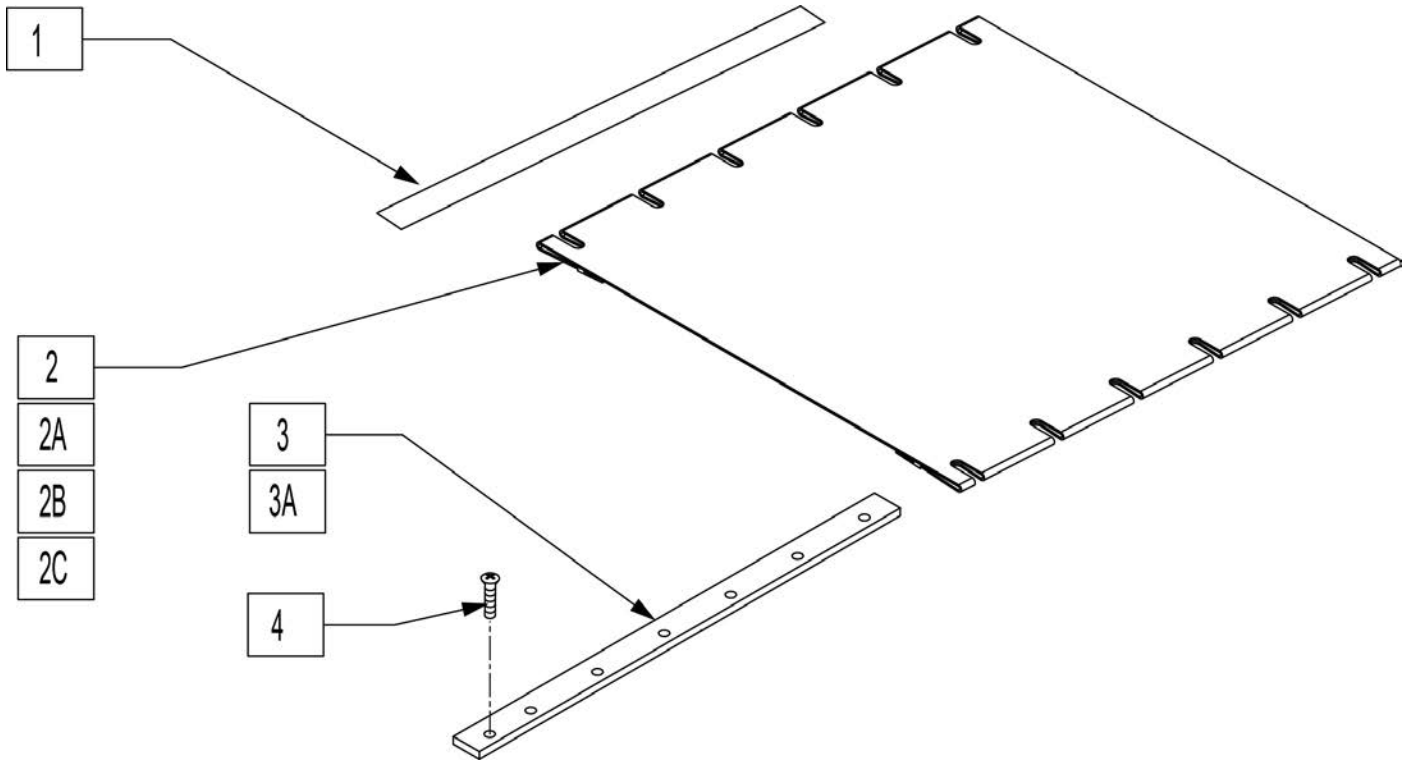
Pos.	Item Number	Description	Remarks
1	222115	5/16-18 x 1-1/4" BH C/S BLK PCH R	RIGHT
1	222116	5/16-18 x 1-1/4" BH C/S BLK PCH L	LEFT
2	106947	WASHER FLAT THIN AN 5/16 ROHS	
3	340272	REAR SPRING SPACER	
4	202117	5/16-18 NYLOCK NUT THICK BLK	
5	561370	REAR WHEEL SPRING P2	
6	481721	REARWHEEL SPRING PIVOT R THRDED	RIGHT
6	481727	REARWHL SPRING PVT LT THREADED	LEFT
7	263113	5/16 WASHER THICK	
8	101957	4"X1-1/4 POLY 3 SPOKE CSTR	
9	263100	5/16 AN WASHER FLAT	
10	226232	5/16-18 x 2 1/4" BH C/S BLK	
1-10	881450	REAR WHEEL ASSM RIGHT	
1-10	881451	REAR WHEEL ASSM LEFT	



Pos.	Item Number	Description	Remarks
1	560315	1" BUSHING .065	
3	222103	5/16 AN5-20A HEX C/S	
4	263100	5/16 AN WASHER FLAT	
5	202106	5/16-24 NYLOCK NUT THIN BLK	

Pos.	Item Number	Description	Remarks
6	560313	INTERCONNECT BUSHING P222	
7	501537	SUSPENSION VERTICAL	
8	349559	RUBBER BUMPER HANGER P2	
9	222099	5/16-24 x 1 1/2 HEX C/S	
10	263100	5/16 AN WASHER FLAT	
11	202106	5/16-24 NYLOCK NUT THIN BLK	
12	341561	SPRING ISOLATOR	
13	505660	SEAT SUSPNSN .25 SPRING ASSM	
14	561578	SUSPENSION LOAD DISTRIBUTOR	
15	501538	SPRING KEEPER	
16	221101	1/4-28 x 1 1/2 HHC/S G8 W/PTCH	
17	202106	5/16-24 NYLOCK NUT THIN BLK	
18	263100	5/16 AN WASHER FLAT	
19	222113	5/16 AN5-22A HEX C/S	
20	222101	5/16 AN5-16A HEX C/S	
21	226064	1/4-28 x 3/4 BH C/S BLK W/PTCH	
22	561275	5/16 x 7/8 x .015 NYLON WASHER	
23	202106	5/16-24 NYLOCK NUT THIN BLK	
24	263100	5/16 AN WASHER FLAT	
25	540176	REAR VERTICAL WLDMNT 1"	
25	540177	REAR VERTICAL WLDMNT 2"	
1,2	660024S	SEAT FRAME PNTD 14"W STD	14"-17" SEAT DEPTH
1,2	660025S	SEAT FRAME PNTD 15"W STD	14"-17" SEAT DEPTH
1,2	660026S	SEAT FRAME PNTD 16"W STD	14"-17" SEAT DEPTH
1,2	660027S	SEAT FRAME PNTD 17"W STD	14"-17" SEAT DEPTH
1,2	660028S	SEAT FRAME PNTD 18"W STD	14"-17" SEAT DEPTH
1,2	660029S	SEAT FRAME PNTD 19"W STD	14"-17" SEAT DEPTH
1,2	660030S	SEAT FRAME PNTD 20"W STD	14"-17" SEAT DEPTH
1,2	660032S	SEAT FRAME PNTD 24"W STD	14"-17" SEAT DEPTH
1,2	660034S	SEAT FRAME PNTD 14"W LNG	18"-20" SEAT DEPTH
1,2	660035S	SEAT FRAME PNTD 15"W LNG	18"-20" SEAT DEPTH
1,2	660036S	SEAT FRAME PNTD 16"W LNG	18"-20" SEAT DEPTH
1,2	660037S	SEAT FRAME PNTD 17"W LNG	18"-20" SEAT DEPTH
1,2	660039S	SEAT FRAME PNTD 19"W LNG	18"-20" SEAT DEPTH
1,2	660040S	SEAT FRAME PNTD 20"W LNG	18"-20" SEAT DEPTH
1,2	660041S	SEAT FRAME PNTD 22"W LNG	18"-20" SEAT DEPTH
1,2	660042S	SEAT FRAME PNTD 24"W LNG	18"-20" SEAT DEPTH
1-21	663767S	SEAT FRAME 14"W STD ASSM	14"-17" SEAT DEPTH
1-21	663768S	SEAT FRAME 15"W STD ASSM	14"-17" SEAT DEPTH
1-21	663769S	SEAT FRAME 16"W STD ASSM	14"-17" SEAT DEPTH
1-21	663770S	SEAT FRAME 17"W STD ASSM	14"-17" SEAT DEPTH
1-21	663771S	SEAT FRAME 18"W STD ASSM	14"-17" SEAT DEPTH
1-21	663772S	SEAT FRAME 19"W STD ASSM	14"-17" SEAT DEPTH
1-21	663773S	SEAT FRAME 20"W STD ASSM	14"-17" SEAT DEPTH
1-21	663774S	SEAT FRAME 22"W STD ASSM	14"-17" SEAT DEPTH
1-21	663775S	SEAT FRAME 24"W STD ASSM	14"-17" SEAT DEPTH
1-21	663776S	SEAT FRAME 14"W LNG ASSM	18"-20" SEAT DEPTH
1-21	663777S	SEAT FRAME 15"W LNG ASSM	18"-20" SEAT DEPTH
1-21	663778S	SEAT FRAME 16"W LNG ASSM	18"-20" SEAT DEPTH
1-21	663779S	SEAT FRAME 17"W LNG ASSM	18"-20" SEAT DEPTH
1-21	663780S	SEAT FRAME 18"W LNG ASSM	18"-20" SEAT DEPTH
1-21	663781S	SEAT FRAME 19"W LNG ASSM	18"-20" SEAT DEPTH
1-21	663782S	SEAT FRAME 20"W LNG ASSM	18"-20" SEAT DEPTH
1-21	663783S	SEAT FRAME 22"W LNG ASSM	18"-20" SEAT DEPTH
1-21	663784S	SEAT FRAME 24"W LNG ASSM	18"-20" SEAT DEPTH
4-21	900808	SEAT SUSPENSION ASSM	

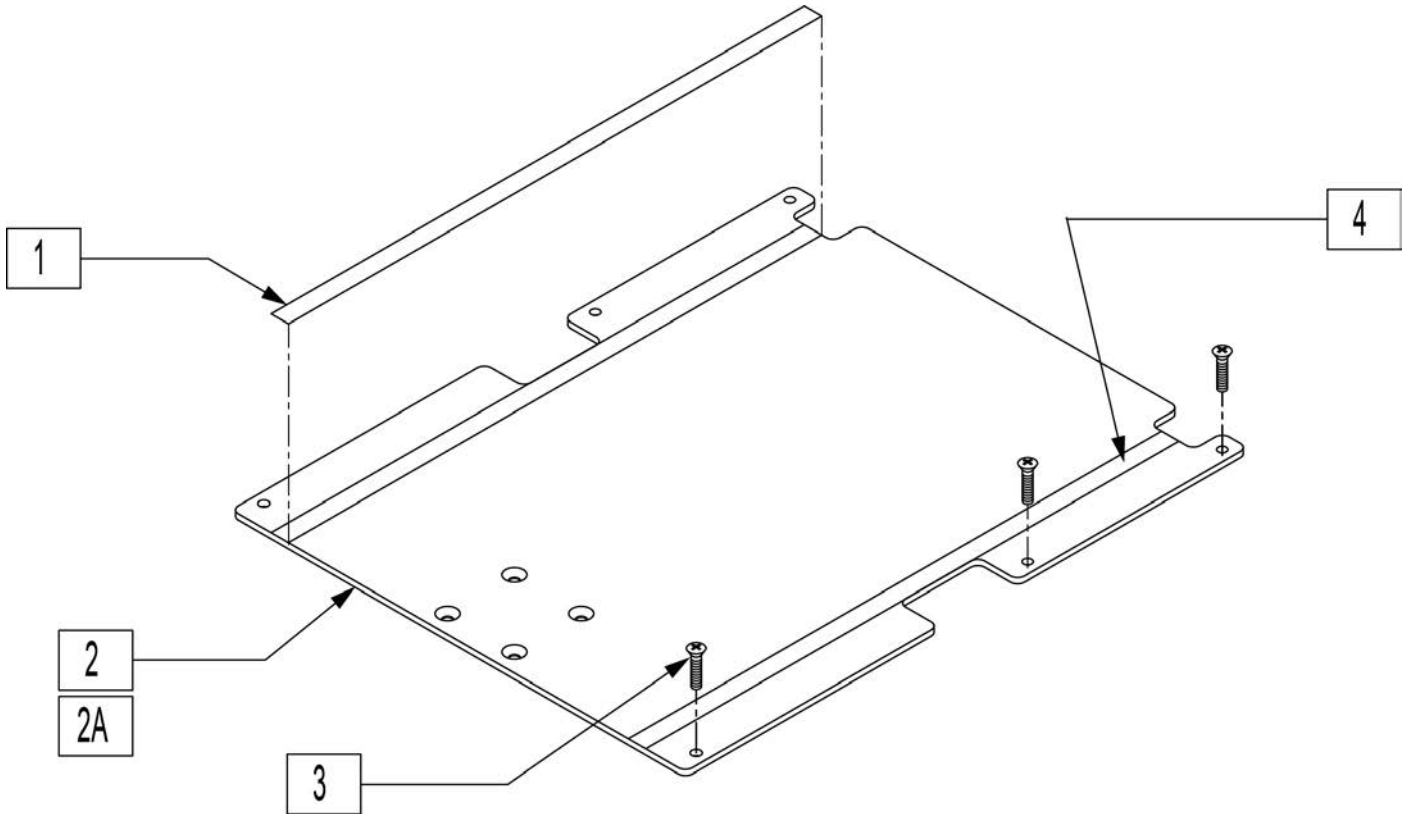
Pos.	Item Number	Description	Remarks
22-27,27A	900810	SEAT HGT KIT 19"-20" STF	



Pos.	Item Number	Description
1	901170	SEAT SLING VELCRO® STRIP
2	722500	SEAT SLING 14" X 20" W/PCKT
2	722501	SEAT SLING 15" X 20" W/PCKT
2	722503	SEAT SLING 17" X 20" W/PCKT
2	722504	SEAT SLING 18" X 20" W/PCKT
2A	722507	SEAT SLING 18 X 20 REIN W/PCKT
2A	722508	SEAT SLING 19 X 20 REIN W/PCKT
2A	722509	SEAT SLING 20 X 20 REIN W/PCKT
2A	722510	SEAT SLING 22 X 20 REIN W/PCKT
2A	722511	SEAT SLING 24 X 20 REIN W/PCKT
2B	722520	SEAT SLING 14" X 18" W/PCKT
2B	722521	SEAT SLING 15" X 18" W/PCKT
2B	722522	SEAT SLING 16" X 18" W/PCKT
2B	722523	SEAT SLING 17" X 18" W/PCKT
2B	722524	SEAT SLING 18" X 18" W/PCKT
2C	722527	SEAT SLING 18 X 18 REIN W/PCKT
2C	722528	SEAT SLING 19 X 18 REIN W/PCKT
2C	722529	SEAT SLING 20 X 18 REIN W/PCKT
2C	722530	SEAT SLING 22 X 18 REIN W/PCKT
2C	722531	SEAT SLING 24 X 18 REIN W/PCKT
3	505110	SEAT RAIL 18"
3A	505103	SEAT RAIL 20"
4	230497	M5-8 X 20 MM BH C/S

SEAT PAN

[04/2009]

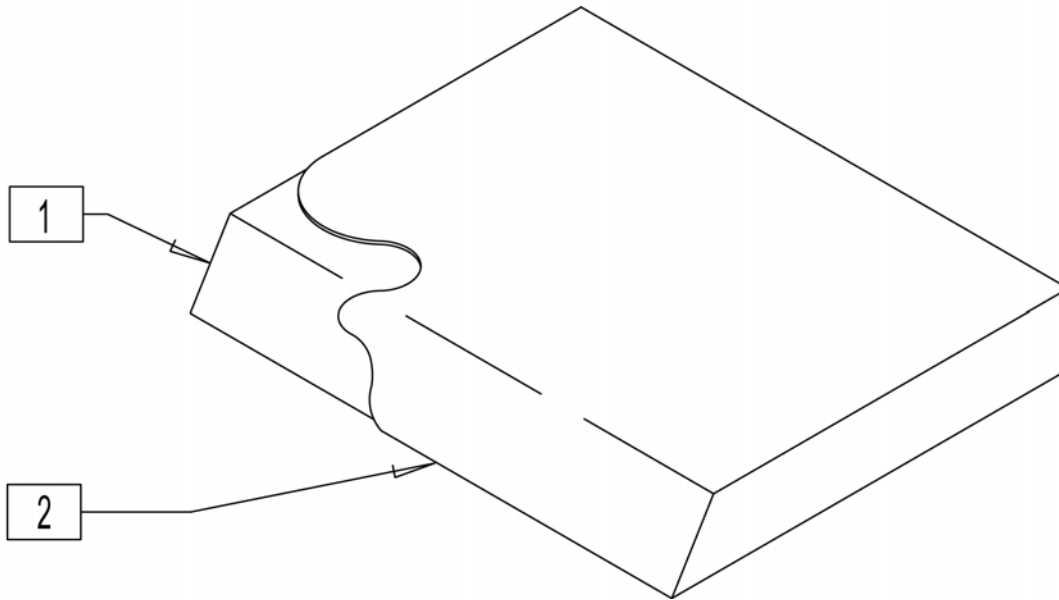


Pos.	Item Number	Description	Remarks
1	901172	LOW SEAT VELCRO® STRIP NON PS P300	
2,4	688150	SEAT PAN ASSM 14" W/VLCRO 18DP	14"-18" SEAT DEPTH - W/O TILT
2,4	688151	SEAT PAN ASSM 15" W/VLCRO 18DP	14"-18" SEAT DEPTH - W/O TILT
2,4	688152	SEAT PAN ASSM 16" W/VLCRO 18DP	14"-18" SEAT DEPTH - W/O TILT
2,4	688153	SEAT PAN ASSM 17" W/VLCRO 18DP	14"-18" SEAT DEPTH - W/O TILT
2,4	688154	SEAT PAN ASSM 18" W/VLCRO 18DP	14"-18" SEAT DEPTH - W/O TILT
2,4	688155	SEAT PAN ASSM 19" W/VLCRO 18DP	14"-18" SEAT DEPTH - W/O TILT
2,4	688156	SEAT PAN ASSM 20" W/VLCRO 18DP	14"-18" SEAT DEPTH - W/O TILT
2,4	688157	SEAT PAN ASSM 22" W/VLCRO 18DP	14"-18" SEAT DEPTH - W/O TILT
2,4	688158	SEAT PAN ASSM 24" W/VLCRO 18DP	14"-18" SEAT DEPTH - W/O TILT
2A,4	688134	SEAT PAN ASSM 14" W/VELCRO RHB	USE FOR ALL SEAT DEPTHS W/ TILT 18"-20" SEAT DEPTH - W/O TILT
2A,4	688135	SEAT PAN ASSM 15" W/VELCRO RHB	USE FOR ALL SEAT DEPTHS W/ TILT 18"-20" SEAT DEPTH - W/O TILT
2A,4	688136	SEAT PAN ASSM 16" W/VELCRO RHB	USE FOR ALL SEAT DEPTHS W/ TILT 18"-20" SEAT DEPTH - W/O TILT
2A,4	688137	SEAT PAN ASSM 17" W/VELCRO RHB	USE FOR ALL SEAT DEPTHS W/ TILT 18"-20" SEAT DEPTH - W/O TILT
2A,4	688138	SEAT PAN ASSM 18" W/VELCRO RHB	USE FOR ALL SEAT DEPTHS W/ TILT 18"-20" SEAT DEPTH - W/O TILT
2A,4	688139	SEAT PAN ASSM 19" W/VELCRO RHB	USE FOR ALL SEAT DEPTHS W/ TILT 18"-20" SEAT DEPTH - W/O TILT
2A,4	688140	SEAT PAN ASSM 20" W/VELCRO RHB	USE FOR ALL SEAT DEPTHS W/ TILT 18"-20" SEAT DEPTH - W/O TILT
2A,4	688141	SEAT PAN ASSM 22" W/VELCRO RHB	USE FOR ALL SEAT DEPTHS W/ TILT 18"-20" SEAT DEPTH - W/O TILT
2A,4	688142	SEAT PAN ASSM 24" W/VELCRO RHB	USE FOR ALL SEAT DEPTHS W/ TILT 18"-20" SEAT DEPTH - W/O TILT
3	230497	M5-.8 X 20 MM BH C/S	

Pos.	Item Number	Description	Remarks
4	901171	LOW SEAT VELCRO® STRIP PS P300	

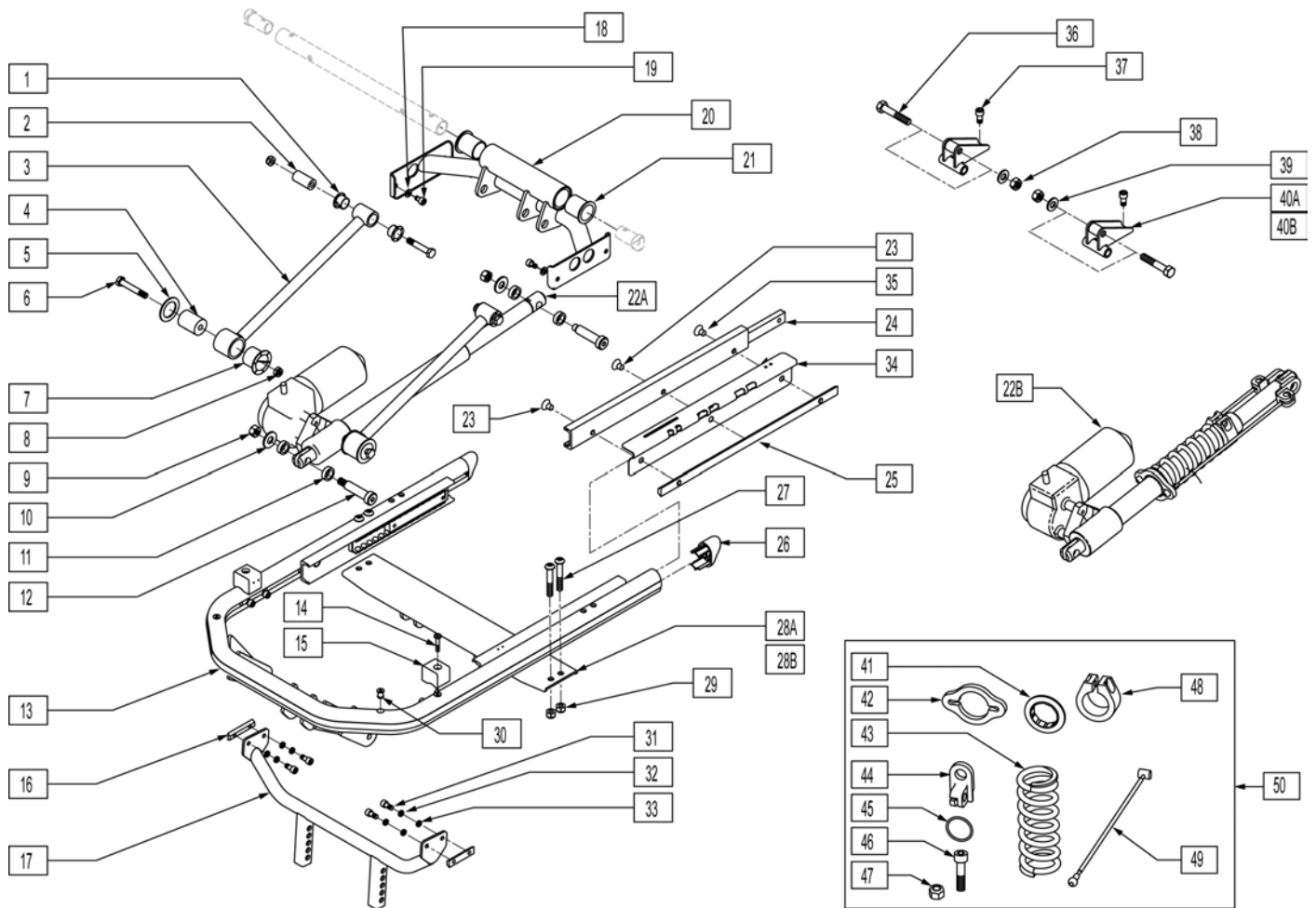
SEAT CUSHION

[10/2007]



Pos.	Item Number	Description	Pos.	Item Number	Description
1-2	700322	SEAT CUSHION 14" X 14" X 2"	1-2	700632	SEAT CUSHION 17" X 17" X 2"
1-2	700332	SEAT CUSHION 14" X 15" X 2"	1-2	700642	SEAT CUSHION 17" X 18" X 2"
1-2	700342	SEAT CUSHION 14" X 16" X 2"	1-2	700652	SEAT CUSHION 17" X 19" X 2"
1-2	700352	SEAT CUSHION 14" X 17" X 2"	1-2	700662	SEAT CUSHION 17" X 20" X 2"
1-2	700362	SEAT CUSHION 14" X 18" X 2"	1-2	700702	SEAT CUSHION 18" X 14" X 2"
1-2	700372	SEAT CUSHION 14" X 19" X 2"	1-2	700712	SEAT CUSHION 18" X 15" X 2"
1-2	700382	SEAT CUSHION 14" X 20" X 2"	1-2	700722	SEAT CUSHION 18" X 16" X 2"
1-2	700422	SEAT CUSHION 15" X 14" X 2"	1-2	700732	SEAT CUSHION 18" X 17" X 2"
1-2	700432	SEAT CUSHION 15" X 15" X 2"	1-2	700742	SEAT CUSHION 18" X 18" X 2"
1-2	700442	SEAT CUSHION 15" X 16" X 2"	1-2	700752	SEAT CUSHION 18" X 19" X 2"
1-2	700452	SEAT CUSHION 15" X 17" X 2"	1-2	700762	SEAT CUSHION 18" X 20" X 2"
1-2	700462	SEAT CUSHION 15" X 18" X 2"	1-2	700802	SEAT CUSHION 19" X 14" X 2"
1-2	700472	SEAT CUSHION 15" X 19" X 2"	1-2	700812	SEAT CUSHION 19" X 15" X 2"
1-2	700482	SEAT CUSHION 15" X 20" X 2"	1-2	700822	SEAT CUSHION 19" X 16" X 2"
1-2	700502	SEAT CUSHION 16" X 12" X 2"	1-2	700832	SEAT CUSHION 19" X 17" X 2"
1-2	700512	SEAT CUSHION 16" X 13" X 2"	1-2	700842	SEAT CUSHION 19" X 18" X 2"
1-2	700522	SEAT CUSHION 16" X 14" X 2"	1-2	700852	SEAT CUSHION 19" X 19" X 2"
1-2	700532	SEAT CUSHION 16" X 15" X 2"	1-2	700862	SEAT CUSHION 19" X 20" X 2"
1-2	700542	SEAT CUSHION 16" X 16" X 2"	1-2	700902	SEAT CUSHION 20" X 14" X 2"
1-2	700552	SEAT CUSHION 16" X 17" X 2"	1-2	700912	SEAT CUSHION 20" X 15" X 2"
1-2	700562	SEAT CUSHION 16" X 18" X 2"	1-2	700922	SEAT CUSHION 20" X 16" X 2"
1-2	700572	SEAT CUSHION 16" X 19" X 2"	1-2	700932	SEAT CUSHION 20" X 17" X 2"
1-2	700582	SEAT CUSHION 16" X 20" X 2"	1-2	700942	SEAT CUSHION 20" X 18" X 2"
1-2	700602	SEAT CUSHION 17" X 14" X 2"	1-2	700952	SEAT CUSHION 20" X 19" X 2"
1-2	700612	SEAT CUSHION 17" X 15" X 2"	1-2	700962	SEAT CUSHION 20" X 20" X 2"
1-2	700622	SEAT CUSHION 17" X 16" X 2"			

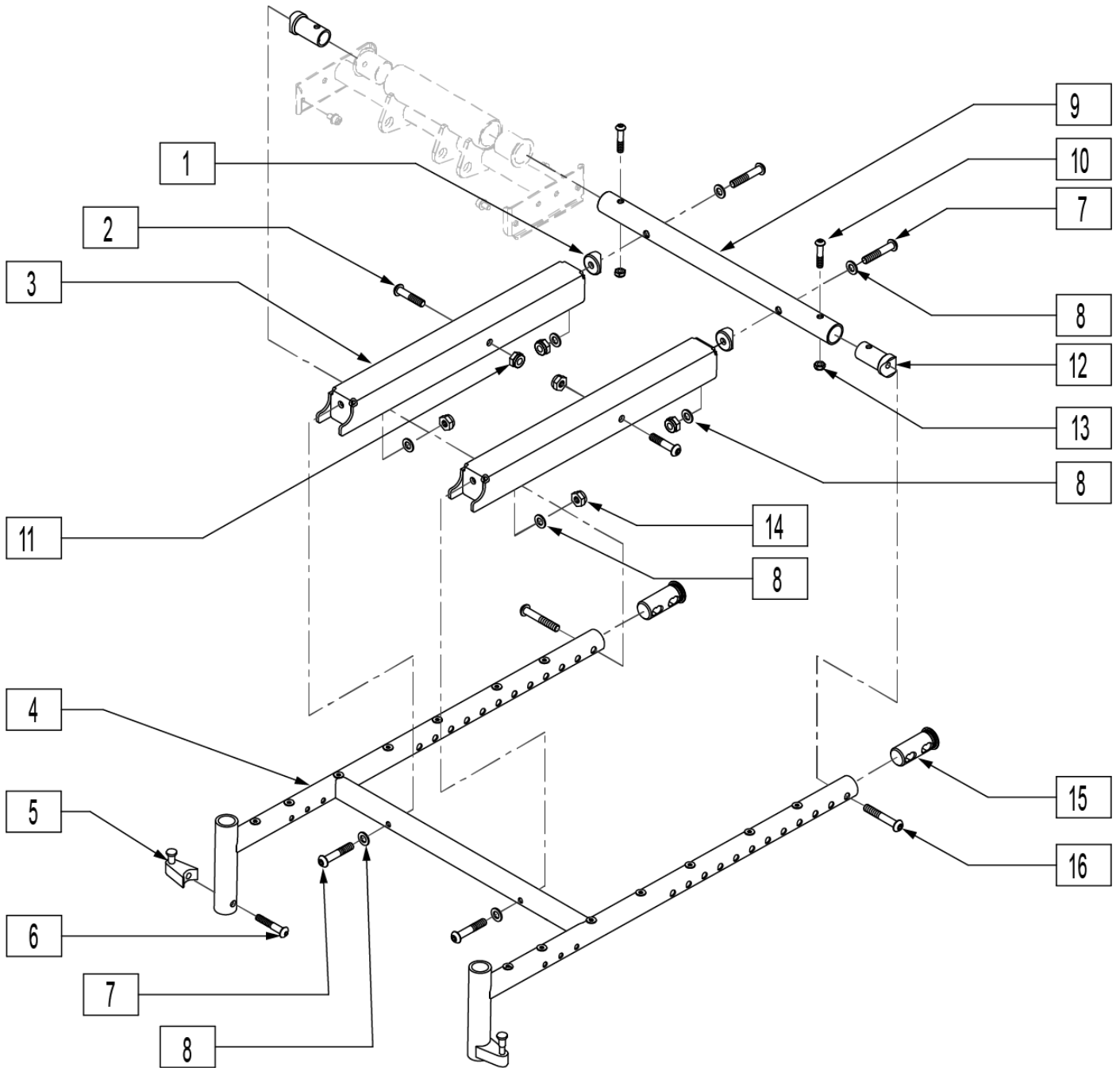
NOTE: IF RETROFITTING A TILT ONTO AN EXISTING CHAIR PLEASE CONTACT SUNRISE MEDICAL TECHNICAL SUPPORT TO ENSURE ALL REQUIRED PARTS ARE PURCHASED.



Pos.	Item Number	Description	Remarks
1	560401	NYLINER BUSHING (10L7-F)	
2	481321	UPPER SOLID LINKAGE PIVOT	
3	505926	TILT LINKAGE ARM W/SOCKETS	
4	483292	PIVOT RADIUS ROD	
5	261208	WASHER NYLON	
6	222103	5/16 AN5-20A HEX C/S	
7	560403	NYLINER BUSHING (16L16-F)	
8	202106	5/16-24 NYLOCK NUT THIN BLK	
9	201262	3/8-16 NYLOCK NUT	
10	261509	3/8 SAE WASHER	
11	261531	ACTUATOR THRUST WASHER	
12	226329	1/2 x 1-3/4 SOC C/S SHOULDER BLK	
14	226028-QU	10-32 x 1 BH C/S BLK	
15	561231	SEAT STOP G424 TILT	
16	481411	1/4-28 CHANNEL NUT 1.25 SP	
17	541034	FRNT SPPRT WLDMNT CG TLT 14-18	

Pos.	Item Number	Description	Remarks
17	541134	FRNT SUPPT WLDMNT CG TLT 19-20	
18	106943	WASHER FLAT AN 1/4 ROHS	
19	230037	M6 x 1.0-10mm SOC HD C/S BLK	
20	542065	TILT GLIDE SUPPORT WELDMENT	
21	560008	PIVOT BUSHING S626	
22A	138350	ACT 1350LB 150 STRK -0 DEG	Up to 175 lb Weight Capacity
22B	883146	ACT ASSM MODULAR TILT 176-250	176 to 250 lb Weight Capacity
23	226109	1/4-28 x 3/8 F/H SOCKET C/S	
24	505937	GLIDE STEEL	
25	481409	1/4-28 CHANNEL NUT 120mm SP	
26	567004	END PLUG OVAL/BEVEL	
27	226217	5/16-18 x 2" BH C/S BLK	
28A	542392	REAR BRCKT CG TLT WLDMNT 14-18	
28B	542393	REAR BRCKT CG TLT WLDMNT 19-20	
29	202117	5/16-18 NYLOCK NUT THICK BLK	
30	341497	10-32 x .020-.130 RIVNUT GOLD	Rivnut tool required for installation of this part.
31	226171	1/4-28 x 1/2" SOC HD C/S	
32	106944	WASHER FLAT THIN AN 1/4 ROHS	
33	262114	1/4 WASHER HI COLLAR LOCK ZN	
34	120580	HARN MODULR TILT P222 VR2/RNET	
35	226076	1/4-28 x 1/2 FH C/S W/PATCH	
36	222234	5/16-18 x 1 3/4 HEX C/S G8	
37	226064	1/4-28 x 3/4 BH C/S BLK W/PTCH	
38	202106	5/16-24 NYLOCK NUT THIN BLK	
39	263100	5/16 AN WASHER FLAT	
40A	540176	REAR VERTICAL WLDMNT 1"	
40B	540177	REAR VERTICAL WLDMNT 2"	
41	505909	COLLAR GUIDE	
42	505908	SPRING COLLAR	
43	321176	SPRING COMP 4-5/8 x 400 LBS/IN	
44	505907	CLEVIS	
45	349586	O-RING .975ID 1.395OD	
46	221116	1/4-20 x 1 SOC HD BLK	
47	201114	1/4-20 NYLOCK NUT BLK ZN	
48	505903	CLAMP ACTUATOR ASSIST	
49	139250	CABLE	
50	883154	SUPER SEAL SPRING ASSM HDWR	
1-8	882001	TILT LINKAGE ARM W/SCKT ASSM	
13,26,30	660280	TILT FRAME BASE ASSM G424	
23-25,35	882004	TILT GUIDE RAIL ASSM G424	
1-21,23-33	660730	TILT BASE ASSM 14"-18" WIDE	
1-21,23-33	660731	TILT BASE ASSM 19"-20" WIDE	
36-40A,40B	900811	SEAT HGT KIT 19"-20" STF TILT	

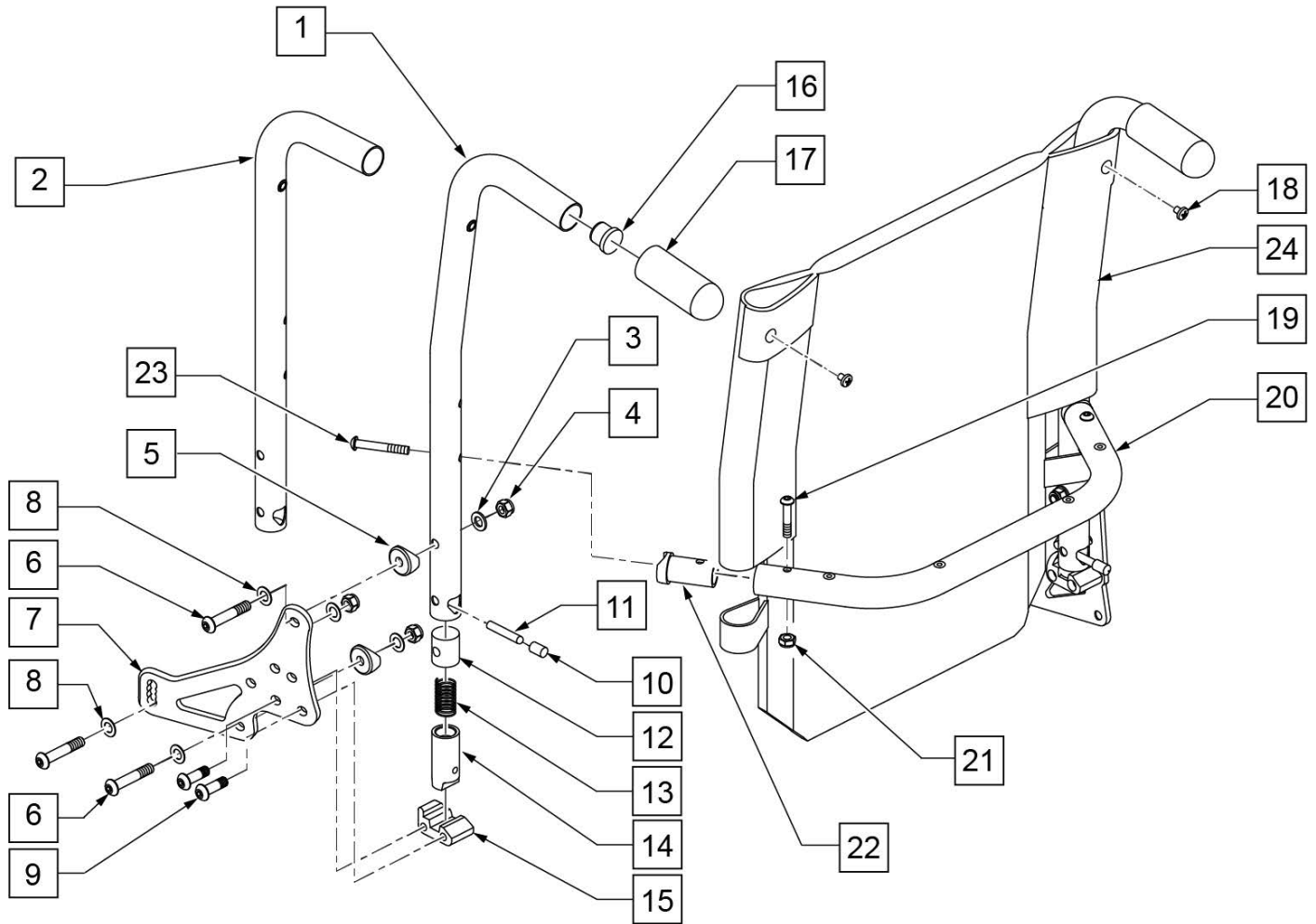
NOTE: IF RETROFITTING A TILT ONTO AN EXISTING CHAIR PLEASE CONTACT SUNRISE MEDICAL TECHNICAL SUPPORT TO ENSURE ALL REQUIRED PARTS ARE PURCHASED.



Pos.	Item Number	Description	Remarks
1	561004	1" SADDLE 1/4" HOLE	
2	222101	5/16 AN5-16A HEX C/S	
3	481386	TILT PIVOT CHANNEL	
6	226218	5/16-18 x 1 3/4 BH C/S BLK	
7	226114	1/4-28 x 1 1/2 SOC C/S BLK	

Pos.	Item Number	Description	Remarks
8	106943	WASHER FLAT AN 1/4 ROHS	
9	526174	SEAT FRAME SPRT TUBE 14" G424	
9	526175	SEAT FRAME SPRT TUBE 15" G424	
9	526176	SEAT FRAME SPRT TUBE 16" G424	
9	526177	SEAT FRAME SPRT TUBE 17" G424	
9	526178	SEAT FRAME SPRT TUBE 18" G424	
9	526179	SEAT FRAME SPRT TUBE 19" G424	
9	526180	SEAT FRAME SPRT TUBE 20" G424	
10	226223	1/4-28 x 1 1/4" BH C/S BLK	
11	202111	5/16-24 NYLOCK NUT THICK BLK	
12	483288	1" SADDLE 5/16-18 THREADED	
13	202300	1/4-28 NYLOCK NUT THIN BLK ZN	
14	202300	1/4-28 NYLOCK NUT THIN BLK ZN	
15	483185	SEAT END PLUG	
16	226217	5/16-18 x 2 BH C/S BLK	For Single Post Armrest
16	226231	5/16-18 x 2 1/2 BH C/S BLK	For Dual post Armrest
5,6	107491	LATCH BOLT KIT	
4,15	660270S	TILT SEAT FRAME ASSM 14" G424	
4,15	660271S	TILT SEAT FRAME ASSM 15" G424	
4,15	660272S	TILT SEAT FRAME ASSM 16" G424	
4,15	660273S	TILT SEAT FRAME ASSM 17" G424	
4,15	660274S	TILT SEAT FRAME ASSM 18" G424	
4,15	660275S	TILT SEAT FRAME ASSM 19" G424	
4,15	660276S	TILT SEAT FRAME ASSM 20" G424	
9,10,	883100	SEAT FRM SPRT TUBE ASSM 14"	
12,13	883101	SEAT FRM SPRT TUBE ASSM 15"	
12,13	883102	SEAT FRM SPRT TUBE ASSM 16"	
12,13	883103	SEAT FRM SPRT TUBE ASSM 17"	
12,13	883104	SEAT FRM SPRT TUBE ASSM 18"	
12,13	883105	SEAT FRM SPRT TUBE ASSM 19"	
12,13	883106	SEAT FRM SPRT TUBE ASSM 20"	
1-16	660740S	TILT SEAT FRAME ASSM 14" WIDE	
1-16	660741S	TILT SEAT FRAME ASSM 15" WIDE	
1-16	660742S	TILT SEAT FRAME ASSM 16" WIDE	
1-16	660743S	TILT SEAT FRAME ASSM 17" WIDE	
1-16	660744S	TILT SEAT FRAME ASSM 18" WIDE	
1-16	660745S	TILT SEAT FRAME ASSM 19" WIDE	
1-16	660746S	TILT SEAT FRAME ASSM 20" WIDE	

NOTE: BACK HEIGHT RANGES LOW = 18" MED = 19"-21" TALL = 22"-24"

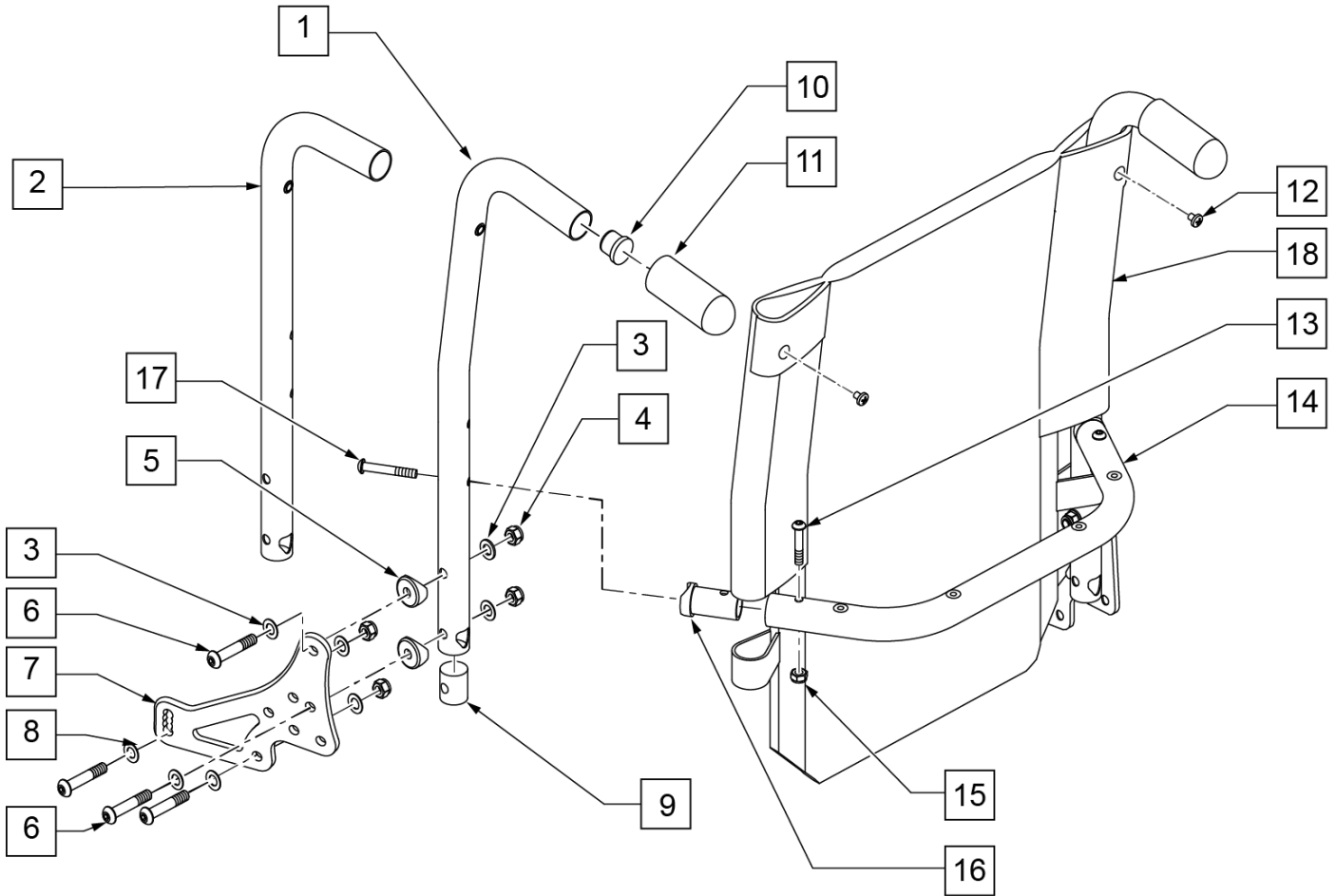


Pos.	Item Number	Description	Remarks
3	106947	WASHER FLAT THIN AN 5/16 ROHS	
4	202116	5/16 -18 NYLOCK NUT THIN BLK	
5	561006	1 SADDLE 5/16 HOLE	
6	226218	5/16 -18 x 1 3/4 BH C/S BLK	
7	501723	BACKREST PLATE 86-114 DEGREE	
8	263100	5/16 AN WASHER FLAT	
9	226219	5/16 -18 x 1 BH C/S BLK	
10	126238	PUSH ON ROUND CAP	
11	481084	BACK RELEASE PIN Z2/QT/EX	
12	483801	BACKREST LATCH PLUG P2	BOTH USED
13	321110	S/A LATCH SPRING	
14	483800	BACKREST LATCH SLIDER P2	
15	550340	BACKREST LATCH BLOCKP2/KZ	RIGHT
15	550341	BACKREST LATCH BLOCKP2/KZ	LEFT
16	561019	1 INSERT PLUG .049	
17	920027	QUICKIE GRIP 1" W/INSTR SHEET	
18	281120	10/32 x 5/8 PAN HD PHIL	

Pos.	Item Number	Description	Remarks
19	226223	1/4 -28 x 1 1/4 BH C/S BLK	
21	202300	1/4 -28 NYLOCK NUT THIN BLK ZN	
22	483161	STRUT SADDLE S525	
23	226267	1/4 -28 x 1 5/8 BH C/S W/ PATCH	
24	686930	BACK UPH 14 LOW P2	
24	686931	BACK UPH 14 MED P2	
24	686932	BACK UPH 14 TALL P2	
24	686933	BACK UPH 15 LOW P2	
24	686934	BACK UPH 15 MED P2	
24	686935	BACK UPH 15 TALL P2	
24	686936	BACK UPH 17 LOW P2	
24	686937	BACK UPH 17 MED P2	
24	686938	BACK UPH 17 TALL P2	
24	686940	BACK UPH 19 LOW P2	
24	686941	BACK UPH 19 MED P2	
24	686942	BACK UPH 19 TALL P2	
24	686943	BACK UPH 20 LOW P2	
24	686944	BACK UPH 20 MED P2	
24	686945	BACK UPH 20 TALL P2	
24	686961	BACK UPH 16 LOW P2	
24	686962	BACK UPH 16 MED P2	
24	686963	BACK UPH 16 TALL P2	
24	686981	BACK UPH 18 LOW P2	
24	686982	BACK UPH 18 MED P2	
24	686983	BACK UPH 18" TALL P2	
24	687900	BACK UPH 14 (21-22) S626	
24	687901	BACK UPH 14 (23-24) S626	
24	687902	BACK UPH 15 (21-22) S626	
24	687903	BACK UPH 15 (23-24) S626	
24	687904	BACK UPH 16 (21-22) S626	
24	687905	BACK UPH 16 (23-24) S626	
24	687906	BACK UPH 17 (21-22) S626	
24	687907	BACK UPH 17 (23-24) S626	
24	687908	BACK UPH 18 (21-22) S626	
24	687909	BACK UPH 18 (23-24) S626	
24	687910	BACK UPH 19 (21-22) S626	
24	687911	BACK UPH 19 (23-24) S626	
24	687912	BACK UPH 20 (21-22) S626	
24	687913	BACK UPH 20 (23-24) S626	
24	687914	BACK UPH 22 LOW S626	
24	687915	BACK UPH 22 MED S626	
24	687916	BACK UPH 22 TALL S626	
24	687917	BACK UPH 22 (21-22) S626	
24	687918	BACK UPH 22 (23-24) S626	
24	687919	BACK UPH 24 LOW S626	
24	687920	BACK UPH 24 MED S626	
24	687921	BACK UPH 24 TALL S626	
1,16,17	842221	BACK TUBE PH 8D LOW R S525	RIGHT
1,16,17	842222	BACK TUBE PH 8D LOW L S525	LEFT
1,16,17	842223	BACK TUBE PH 8D MED R S525	RIGHT
1,16,17	842224	BACK TUBE PH 8D MED L S525	LEFT
1,16,17	842225	BACK TUBE PH 8D TALL R S525	RIGHT
1,16,17	842226	BACK TUBE PH 8D TALL L S525	LEFT
2,16,17	842227	BACK TUBE PH LOW R S525	RIGHT
2,16,17	842228	BACK TUBE PH LOW L S525	LEFT
2,16,17	842229	BACK TUBE PH MED R S525	RIGHT

Pos.	Item Number	Description	Remarks
2,16,17	842230	BACK TUBE PH MED L S525	LEFT
2,16,17	842231	BACK TUBE PH TALL R S525	RIGHT
2,16,17	842232	BACK TUBE PH TALL L S525	LEFT
19-23	842234	TOWEL RACK ASSM 14 S525	with light mounting holes
19-23	842235	TOWEL RACK ASSM 15 S525	with light mounting holes
19-23	842236	TOWEL RACK ASSM 16 S525	with light mounting holes
19-23	842237	TOWEL RACK ASSM 17 S525	with light mounting holes
19-23	842238	TOWEL RACK ASSM 18 S525	with light mounting holes
19-23	842239	TOWEL RACK ASSM 19 S525	with light mounting holes
19-23	842240	TOWEL RACK ASSM 20 S525	with light mounting holes
19-23	842241	TOWEL RACK ASSM 22	with light mounting holes
19-23	842242	TOWEL RACK ASSM 24	with light mounting holes
1,3-12	882884	PH 8D LOW R ASSM FLDG 86-114	RIGHT
1,3-12	882885	PH 8D LOW L ASSM FLDG 86-114	LEFT
1,3-12	882886	PH 8D MED R ASSM FLDG 86-114	RIGHT
1,3-12	882887	PH 8D MED L ASSM FLDG 86-114	LEFT
1,3-12	882888	PH 8D TAL R ASSM FLDG 86-114	RIGHT
1,3-12	882889	PH 8D TAL L ASSM FLDG 86-114	LEFT
2-12	882890	PH LOW R ASSM FLDG 86-114	RIGHT
2-12	882891	PH LOW L ASSM FLDG 86-114	LEFT
2-12	882892	PH MED R ASSM FLDG 86-114	RIGHT
2-12	882893	PH MED L ASSM FLDG 86-114	LEFT
2-12	882894	PH TALL R ASSM FLD 86-114	RIGHT
2-12	882895	PH TALL L ASSM FLD 86-114	LEFT
1,3-24	922619	BACK ASSM 8D LOW 14 (F) 86-114	
1,3-24	922620	BACK ASSM 8D LOW 15 (F) 86-114	
1,3-24	922621	BACK ASSM 8D LOW 16 (F) 86-114	
1,3-24	922622	BACK ASSM 8D LOW 17 (F) 86-114	
1,3-24	922623	BACK ASSM 8D LOW 18 (F) 86-114	
1,3-24	922624	BACK ASSM 8D LOW 19 (F) 86-114	
1,3-24	922625	BACK ASSM 8D LOW 20 (F) 86-11	
1,3-24	922626	BACK ASSM 8D LOW 22 (F) 86-114	
1,3-24	922627	BACK ASSM 8D LOW 24 (F) 86-114	
1,3-24	922639	BACK ASSM 8D MED 14 (F) 86-114	
1,3-24	922640	BACK ASSM 8D MED 15 (F) 86-114	
1,3-24	922641	BACK ASSM 8D MED 16 (F) 86-114	
1,3-24	922642	BACK ASSM 8D MED 17 (F) 86-114	
1,3-24	922643	BACK ASSM 8D MED 18 (F) 86-114	
1,3-24	922644	BACK ASSM 8D MED 19 (F) 86-114	
1,3-24	922645	BACK ASSM 8D MED 20 (F) 86-114	
1,3-24	922646	BACK ASSM 8D MED 22 (F) 86-114	
1,3-24	922647	BACK ASSM 8D MED 24 (F) 86-114	
1,3-24	922659	BACK ASSM 8D TALL 14 (F)86-114	
1,3-24	922660	BACK ASSM 8D TALL 15 (F)86-114	
1,3-24	922661	BACK ASSM 8D TALL 16 (F)86-114	
1,3-24	922662	BACK ASSM 8D TALL 17 (F)86-114	
1,3-24	922663	BACK ASSM 8D TALL 18 (F)86-114	
1,3-24	922664	BACK ASSM 8D TALL 19 (F)86-114	
1,3-24	922665	BACK ASSM 8D TALL 20 (F)86-114	
1,3-24	922666	BACK ASSM 8D TALL 22 (F)86-114	
1,3-24	922667	BACK ASSM 8D TALL 24 (F)86-114	
2-24	922609	BACK ASSM LOW 14 (F) 86-114	
2-24	922610	BACK ASSM LOW 15 (F) 86-114	
2-24	922611	BACK ASSM LOW 16 (F) 86-114	
2-24	922612	BACK ASSM LOW 17 (F) 86-114	
2-24	922613	BACK ASSM LOW 18 (F) 86-114	

Pos.	Item Number	Description	Remarks
2-24	922614	BACK ASSM LOW 19 (F) 86-114	
2-24	922615	BACK ASSM LOW 20 (F) 86-114	
2-24	922616	BACK ASSM LOW 22 (F) 86-114	
2-24	922617	BACK ASSM LOW 24 (F) 86-114	
2-24	922629	BACK ASSM MED 14 (F) 86-114	
2-24	922630	BACK ASSM MED 15 (F) 86-114	
2-24	922631	BACK ASSM MED 16 (F) 86-114	
2-24	922632	BACK ASSM MED 17 (F) 86-114	
2-24	922633	BACK ASSM MED 18 (F) 86-114	
2-24	922634	BACK ASSM MED 19 (F) 86-114	
2-24	922635	BACK ASSM MED 20 (F) 86-114	
2-24	922636	BACK ASSM MED 22 (F) 86-114	
2-24	922637	BACK ASSM MED 24 (F) 86-114	
2-24	922649	BACK ASSM TALL 14 (F) 86-114	
2-24	922650	BACK ASSM TALL 15 (F) 86-114	
2-24	922651	BACK ASSM TALL 16 (F) 86-114	
2-24	922652	BACK ASSM TALL 17 (F) 86-114	
2-24	922653	BACK ASSM TALL 18 (F) 86-114	
2-24	922654	BACK ASSM TALL 19 (F) 86-114	
2-24	922655	BACK ASSM TALL 20 (F) 86-114	
2-24	922656	BACK ASSM TALL 22 (F) 86-114	

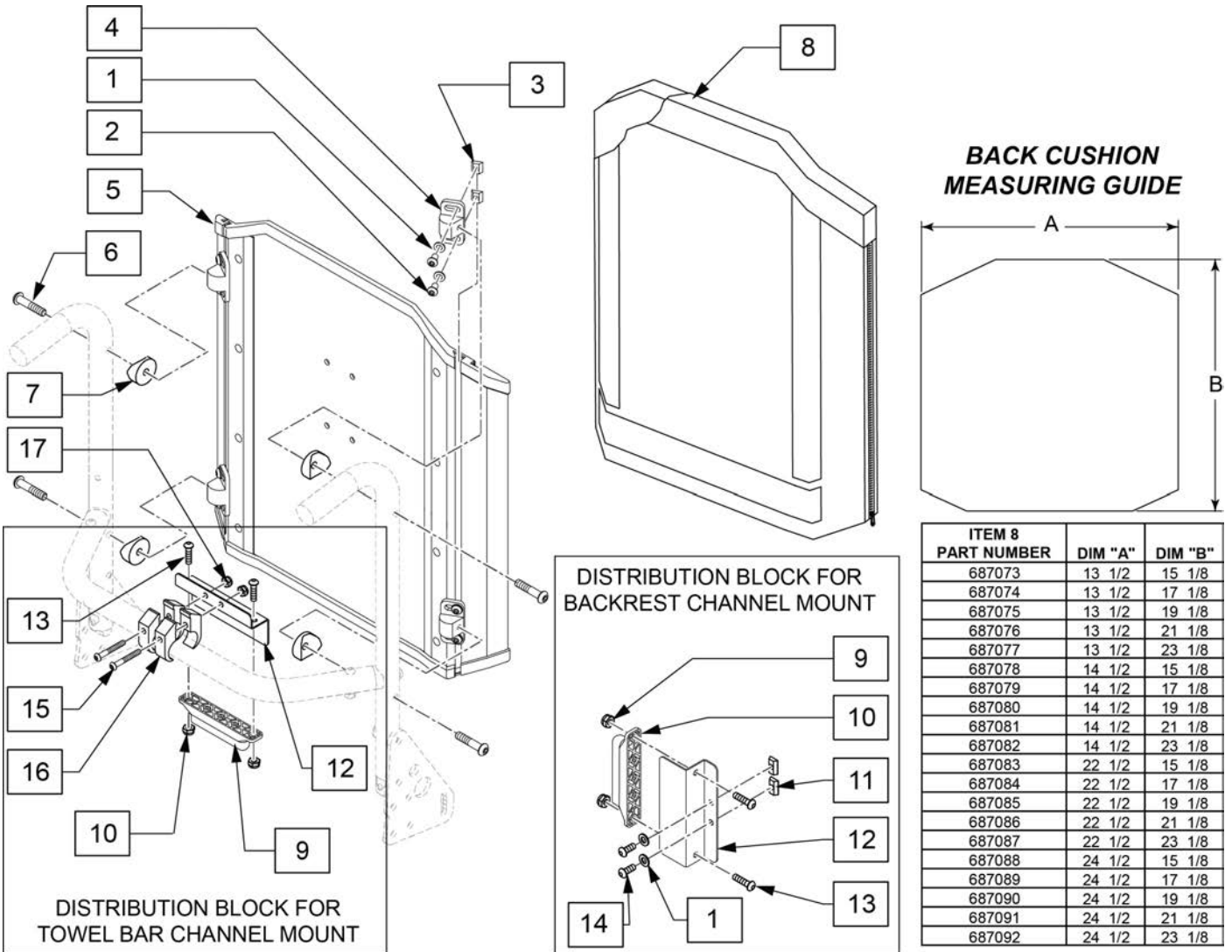


Pos.	Item Number	Description	Remarks
3	106947	WASHER FLAT THIN AN 5/16 ROHS	
4	202116	5/16 -18 NYLOCK NUT THIN BLK	
5	561006	1 SADDLE 5/16 HOLE	
6	226218	5/16 -18 x 1 3/4 BH C/S BLK	
7	501723	BACKREST PLATE 86-114 DEGREE	
8	263100	5/16 AN WASHER FLAT	
9	483801	BACKREST LATCH PLUG P2	BOTH USED
9	550080	PUSH HANDLE INSERT S525	BOTH USED
10	561019	1 INSERT PLUG .049	
11	920027	QUICKIE GRIP 1" W/INSTR SHEET	
12	281120	10/32 x 5/8 PAN HD PHIL	
13	226223	1/4 -28 x 1 1/4 BH C/S BLK	
15	202300	1/4 -28 NYLOCK NUT THIN BLK ZN	
16	483161	STRUT SADDLE S525	
17	226267	1/4 -28 x 1 5/8 BH C/S W/ PATCH	
18	686930	BACK UPH 14 LOW P2	
18	686931	BACK UPH 14 MED P2	
18	686932	BACK UPH 14 TALL P2	
18	686933	BACK UPH 15 LOW P2	
18	686934	BACK UPH 15 MED P2	
18	686935	BACK UPH 15 TALL P2	
18	686936	BACK UPH 17 LOW P2	

Pos.	Item Number	Description	Remarks
18	686937	BACK UPH 17 MED P2	
18	686938	BACK UPH 17 TALL P2	
18	686940	BACK UPH 19 LOW P2	
18	686941	BACK UPH 19 MED P2	
18	686942	BACK UPH 19 TALL P2	
18	686943	BACK UPH 20 LOW P2	
18	686944	BACK UPH 20 MED P2	
18	686945	BACK UPH 20 TALL P2	
18	686961	BACK UPH 16 LOW P2	
18	686962	BACK UPH 16 MED P2	
18	686963	BACK UPH 16 TALL P2	
18	686981	BACK UPH 18 LOW P2	
18	686982	BACK UPH 18 MED P2	
18	686983	BACK UPH 18 TALL P2	
18	687900	BACK UPH 14 (21-22) S626	
18	687901	BACK UPH 14 (23-24) S626	
18	687902	BACK UPH 15 (21-22) S626	
18	687903	BACK UPH 15 (23-24) S626	
18	687904	BACK UPH 16 (21-22) S626	
18	687905	BACK UPH 16 (23-24) S626	
18	687906	BACK UPH 17 (21-22) S626	
18	687907	BACK UPH 17 (23-24) S626	
18	687908	BACK UPH 18 (21-22) S626	
18	687909	BACK UPH 18 (23-24) S626	
18	687910	BACK UPH 19 (21-22) S626	
18	687911	BACK UPH 19 (23-24) S626	
18	687912	BACK UPH 20 (21-22) S626	
18	687913	BACK UPH 20 (23-24) S626	
18	687914	BACK UPH 22 LOW S626	
18	687915	BACK UPH 22 MED S626	
18	687916	BACK UPH 22 TALL S626	
18	687917	BACK UPH 22 (21-22) S626	
18	687918	BACK UPH 22 (23-24) S626	
18	687919	BACK UPH 24 LOW S626	
18	687920	BACK UPH 24 MED S626	
18	687921	BACK UPH 24 TALL S626	
1,10,11	842221	BACK TUBE PH 8D LOW R S525	RIGHT
1,10,11	842222	BACK TUBE PH 8D LOW L S525	LEFT
1,10,11	842223	BACK TUBE PH 8D MED R S525	RIGHT
1,10,11	842224	BACK TUBE PH 8D MED L S525	LEFT
1,10,11	842225	BACK TUBE PH 8D TALL R S525	RIGHT
1,10,11	842226	BACK TUBE PH 8D TALL L S525	LEFT
2,10,11	842227	BACK TUBE PH LOW R S525	RIGHT
2,10,11	842228	BACK TUBE PH LOW L S525	LEFT
2,10,11	842229	BACK TUBE PH MED R S525	RIGHT
2,10,11	842230	BACK TUBE PH MED L S525	LEFT
2,10,11	842231	BACK TUBE PH TALL R S525	RIGHT
2,10,11	842232	BACK TUBE PH TALL L S525	LEFT
13-17	842234	TOWEL RACK ASSM 14 S525	with light mounting holes
13-17	842235	TOWEL RACK ASSM 15 S525	with light mounting holes
13-17	842236	TOWEL RACK ASSM 16 S525	with light mounting holes
13-17	842237	TOWEL RACK ASSM 17 S525	with light mounting holes
13-17	842238	TOWEL RACK ASSM 18 S525	with light mounting holes
13-17	842239	TOWEL RACK ASSM 19 S525	with light mounting holes
13-17	842240	TOWEL RACK ASSM 20 S525	with light mounting holes
13-17	842241	TOWEL RACK ASSM 22	with light mounting holes

Pos.	Item Number	Description	Remarks
13-17	842242	TOWEL RACK ASSM 24	with light mounting holes
1,3-12	882656	PH 8D LOW R ASSM NF 86-114	RIGHT
1,3-12	882657	PH 8D LOW L ASSM NF 86-114	LEFT
1,3-12	882658	PH 8D MED R ASSM NF 86-114	RIGHT
1,3-12	882659	PH 8D MED L ASSM NF 86-114	LEFT
1,3-12	882660	PH 8D TALL R ASSM NF 86-114	RIGHT
1,3-12	882661	PH 8D TALL L ASSM NF 86-114	LEFT
2-12	882662	PH LOW R ASSM NF 86-114	RIGHT
2-12	882663	PH LOW L ASSM NF 86-114	LEFT
2-12	882664	PH MED R ASSM NF 86-114	RIGHT
2-12	882665	PH MED L ASSM NF 86-114	LEFT
2-12	882666	PH TALL R ASSM NF 86-114	RIGHT
2-12	882667	PH TALL L ASSM NF 86-114	LEFT
1,3-18	922060	BACK ASSM 8D LOW 14 NF 86-114	
1,3-18	922061	BACK ASSM 8D LOW 15 NF 86-114	
1,3-18	922062	BACK ASSM 8D LOW 16 NF 86-114	
1,3-18	922063	BACK ASSM 8D LOW 17 NF 86-114	
1,3-18	922064	BACK ASSM 8D LOW 18 NF 86-114	
1,3-18	922065	BACK ASSM 8D LOW 19 NF 86-114	
1,3-18	922066	BACK ASSM 8D LOW 20 NF 86-114	
1,3-18	922067	BACK ASSM 8D LOW 22 NF 86-114	
1,3-18	922068	BACK ASSM 8D LOW 24 NF 86-114	
1,3-18	922010	BACK ASSM 8D MED 14 NF 86-114	
1,3-18	922011	BACK ASSM 8D MED 15 NF 86-114	
1,3-18	922012	BACK ASSM 8D MED 16 NF 86-114	
1,3-18	922013	BACK ASSM 8D MED 17 NF 86-114	
1,3-18	922014	BACK ASSM 8D MED 18 NF 86-114	
1,3-18	922015	BACK ASSM 8D MED 19 NF 86-114	
1,3-18	922016	BACK ASSM 8D MED 20 NF 86-114	
1,3-18	922017	BACK ASSM 8D MED 22 NF 86-114	
1,3-18	922018	BACK ASSM 8D MED 24 NF 86-114	
1,3-18	922028	BACK ASSM 8D TALL 14 NF 86-114	
1,3-18	922029	BACK ASSM 8D TALL 15 NF 86-114	
1,3-18	922030	BACK ASSM 8D TALL 16 NF 86-114	
1,3-18	922031	BACK ASSM 8D TALL 17 NF 86-114	
1,3-18	922032	BACK ASSM 8D TALL 18 NF 86-114	
1,3-18	922033	BACK ASSM 8D TALL 19 NF 86-114	
1,3-18	922034	BACK ASSM 8D TALL 20 NF 86-114	
1,3-18	922035	BACK ASSM 8D TALL 22 NF 86-114	
1,3-18	922036	BACK ASSM 8D TALL 24 NF 86-114	
2-18	922040	BACK ASSM LOW 14 NF 86-114	
2-18	922041	BACK ASSM LOW 15 NF 86-114	
2-18	922042	BACK ASSM LOW 16 NF 86-114	
2-18	922043	BACK ASSM LOW 17 NF 86-114	
2-18	922044	BACK ASSM LOW 18 NF 86-114	
2-18	922045	BACK ASSM LOW 19 NF 86-114	
2-18	922046	BACK ASSM LOW 20 NF 86-114	
2-18	922047	BACK ASSM LOW 22 NF 86-114	
2-18	922048	BACK ASSM LOW 24 NF 86-114	
2-18	922001	BACK ASSM MED 14 NF 86-114	
2-18	922002	BACK ASSM MED 15 NF 86-114	
2-18	922003	BACK ASSM MED 16 NF 86-114	
2-18	922004	BACK ASSM MED 17 NF 86-114	
2-18	922005	BACK ASSM MED 18 NF 86-114	
2-18	922006	BACK ASSM MED 19 NF 86-114	
2-18	922007	BACK ASSM MED 20 NF 86-114	

Pos.	Item Number	Description	Remarks
2-18	922008	BACK ASSM MED 22 NF 86-114	
2-18	922009	BACK ASSM MED 24 NF 86-114	
2-18	922019	BACK ASSM TALL 14 NF 86-114	
2-18	922020	BACK ASSM TALL 15 NF 86-114	
2-18	922021	BACK ASSM TALL 16 NF 86-114	
2-18	922022	BACK ASSM TALL 17 NF 86-114	
2-18	922023	BACK ASSM TALL 18 NF 86-114	
2-18	922024	BACK ASSM TALL 19 NF 86-114	
2-18	922025	BACK ASSM TALL 20 NF 86-114	
2-18	922026	BACK ASSM TALL 22 NF 86-114	
2-18	922027	BACK ASSM TALL 24 NF 86-114	



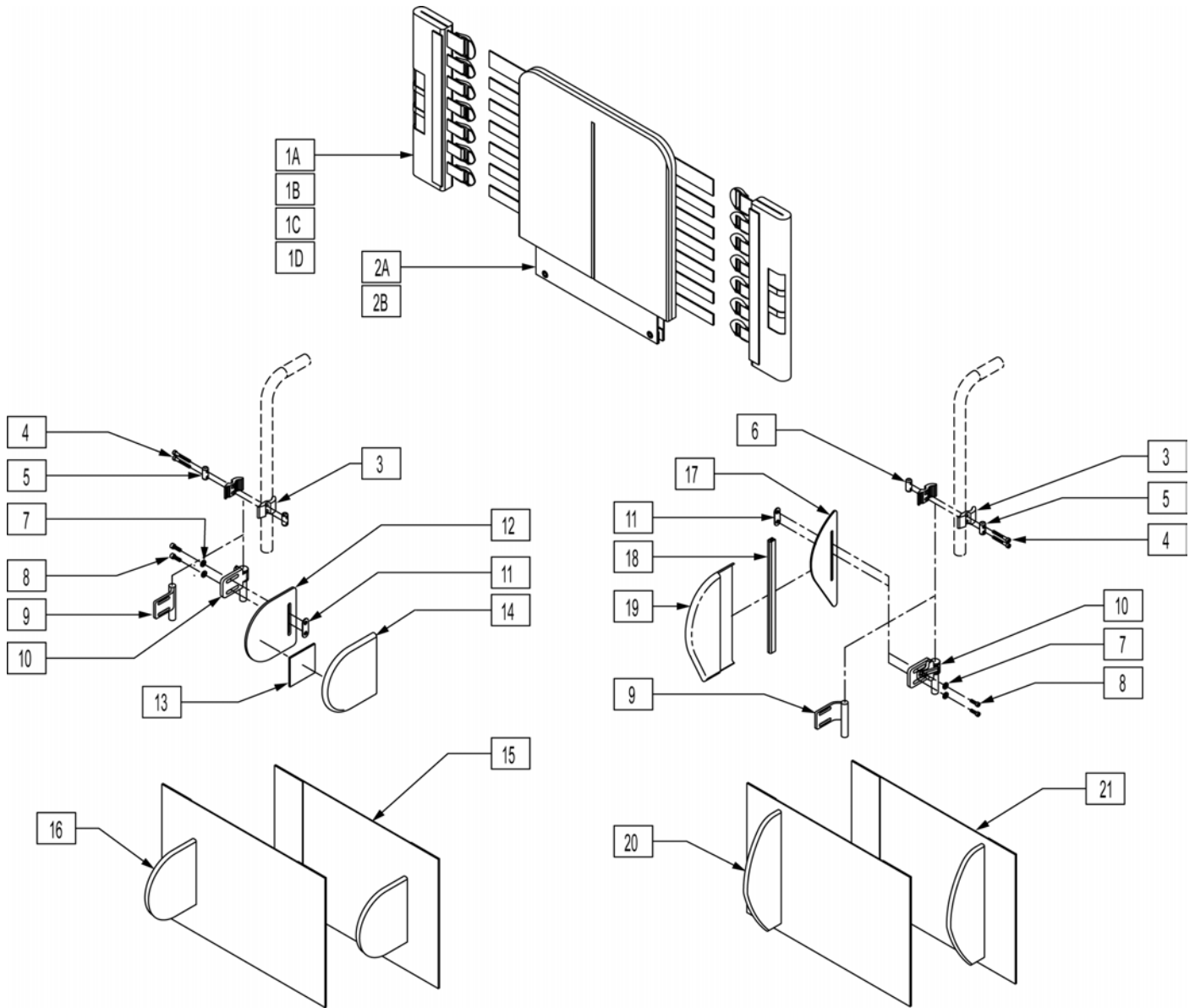
Pos.	Item Number	Description	Remarks
1	267052	1/4 AN WASHER FLAT AN960C416	
2	221094	1/4 -28 x 7/16 BH C/S BLK	
3	481106-QU	1/4 -28 CHANNEL NUT	
4	121507	SOLID BACK MOUNTING BRACKET	
5	011244	SLD BCKRST SHELL ASSMBLY 12X16	
5	011248	SLD BCKRST SHELL ASSMBLY 12X18	
5	011252	SLD BCKRST SHELL ASSMBLY 12X20	
5	011256	SLD BCKRST SHELL ASSMBLY 12X22	
5	011260	SLD BCKRST SHELL ASSMBLY 12X24	
5	011245	SLD BCKRST SHELL ASSMBLY 13X16	
5	011249	SLD BCKRST SHELL ASSMBLY 13X18	
5	011253	SLD BCKRST SHELL ASSMBLY 13X20	
5	011257	SLD BCKRST SHELL ASSMBLY 13X22	
5	011261	SLD BCKRST SHELL ASSMBLY 13X24	
5	881850	SOLID BCKRST SHELL ASSM 14 x 16	
5	881851	SOLID BCKRST SHELL ASSM 15 x 16	
5	881852	SOLID BCKRST SHELL ASSM 16 x 16	
5	881853	SOLID BCKRST SHELL ASSM 17 x 16	

Pos.	Item Number	Description	Remarks
5	881854	SOLID BCKRST SHELL ASSM 18 x 16	
5	881855	SOLID BCKRST SHELL ASSM 19 x 16	
5	881856	SOLID BCKRST SHELL ASSM 20 x 16	
5	881857	SOLID BCKRST SHELL ASSM 14 x 18	
5	881858	SOLID BCKRST SHELL ASSM 15 x 18	
5	881859	SOLID BCKRST SHELL ASSM 16 x 18	
5	881860	SOLID BCKRST SHELL ASSM 17 x 18	
5	881861	SOLID BCKRST SHELL ASSM 18 x 18	
5	881862	SOLID BCKRST SHELL ASSM 19 x 18	
5	881863	SOLID BCKRST SHELL ASSM 20 x 18	
5	881864	SOLID BCKRST SHELL ASSM 14 x 20	
5	881865	SOLID BCKRST SHELL ASSM 15 x 20	
5	881866	SOLID BCKRST SHELL ASSM 16 x 20	
5	881867	SOLID BCKRST SHELL ASSM 17 x 20	
5	881868	SOLID BCKRST SHELL ASSM 18 x 20	
5	881869	SOLID BCKRST SHELL ASSM 19 x 20	
5	881870	SOLID BCKRST SHELL ASSM 20 x 20	
5	881871	SOLID BCKRST SHELL ASSM 14 x 22	
5	881872	SOLID BCKRST SHELL ASSM 15 x 22	
5	881873	SOLID BCKRST SHELL ASSM 16 x 22	
5	881874	SOLID BCKRST SHELL ASSM 17 x 22	
5	881875	SOLID BCKRST SHELL ASSM 18 x 22	
5	881876	SOLID BCKRST SHELL ASSM 19 x 22	
5	881877	SOLID BCKRST SHELL ASSM 20 x 22	
5	881878	SOLID BCKRST SHELL ASSM 14 x 24	
5	881879	SOLID BCKRST SHELL ASSM 15 x 24	
5	881880	SOLID BCKRST SHELL ASSM 16 x 24	
5	881881	SOLID BCKRST SHELL ASSM 17 x 24	
5	881882	SOLID BCKRST SHELL ASSM 18 x 24	
5	881883	SOLID BCKRST SHELL ASSM 19 x 24	
5	881884	SOLID BCKRST SHELL ASSM 20 x 24	
5	881885	SOLID BCKRST SHELL ASSM 22 x 16	
5	881886	SOLID BCKRST SHELL ASSM 22 x 18	
5	881887	SOLID BCKRST SHELL ASSM 22 x 20	
5	881888	SOLID BCKRST SHELL ASSM 22 x 22	
5	881889	SOLID BCKRST SHELL ASSM 22 x 24	
5	881890	SOLID BCKRST SHELL ASSM 24 x 16	
5	881892	SOLID BCKRST SHELL ASSM 24 x 20	
5	881893	SOLID BCKRST SHELL ASSM 24 x 22	
5	881894	SOLID BCKRST SHELL ASSM 24 x 24	
6	226291	5/16 -18 x 1-1/2 BHCS BK W/ PATCH	
7	561006	1 SADDLE 5/16 HOLE	
8	687073	BACK CUSHION 12"X16" SOLID BK	
8	687074	BACK CUSHION 12"X18" SOLID BK	
8	687075	BACK CUSHION 12"X20" SOLID BK	
8	687076	BACK CUSHION 12"X22" SOLID BK	
8	687077	BACK CUSHION 12"X24" SOLID BK	
8	687078	BACK CUSHION 13"X16" SOLID BK	
8	687079	BACK CUSHION 13"X18" SOLID BK	
8	687080	BACK CUSHION 13"X20" SOLID BK	
8	687081	BACK CUSHION 13"X22" SOLID BK	
8	687082	BACK CUSHION 13"X24" SOLID BK	
8	681850	BACK CUSHION 14 x 16 SOLID BACK	
8	681851	BACK CUSHION 14 x 18 SOLID BACK	
8	681852	BACK CUSHION 14 x 20 SOLID BACK	
8	681853	BACK CUSHION 14 x 22 SOLID BACK	

Pos.	Item Number	Description	Remarks
8	681854	BACK CUSHION 14 x 24 SOLID BACK	
8	681855	BACK CUSHION 15 x 16 SOLID BACK	
8	681856	BACK CUSHION 15 x 18 SOLID BACK	
8	681857	BACK CUSHION 15 x 20 SOLID BACK	
8	681858	BACK CUSHION 15 x 22 SOLID BACK	
8	681859	BACK CUSHION 15 x 24 SOLID BACK	
8	681860	BACK CUSHION 16 x 16 SOLID BACK	
8	681861	BACK CUSHION 16 x 18 SOLID BACK	
8	681862	BACK CUSHION 16 x 20 SOLID BACK	
8	681863	BACK CUSHION 16 x 22 SOLID BACK	
8	681864	BACK CUSHION 16 x 24 SOLID BACK	
8	681865	BACK CUSHION 17 x 16 SOLID BACK	
8	681866	BACK CUSHION 17 x 18 SOLID BACK	
8	681867	BACK CUSHION 17 x 20 SOLID BACK	
8	681868	BACK CUSHION 17 x 22 SOLID BACK	
8	681869	BACK CUSHION 17 x 24 SOLID BACK	
8	681870	BACK CUSHION 18 x 16 SOLID BACK	
8	681871	BACK CUSHION 18 x 18 SOLID BACK	
8	681872	BACK CUSHION 18 x 20 SOLID BACK	
8	681873	BACK CUSHION 18 x 22 SOLID BACK	
8	681874	BACK CUSHION 18 x 24 SOLID BACK	
8	681875	BACK CUSHION 19 x 16 SOLID BACK	
8	681876	BACK CUSHION 19 x 18 SOLID BACK	
8	681877	BACK CUSHION 19 x 20 SOLID BACK	
8	681878	BACK CUSHION 19 x 22 SOLID BACK	
8	681879	BACK CUSHION 19 x 24 SOLID BACK	
8	681880	BACK CUSHION 20 x 16 SOLID BACK	
8	681881	BACK CUSHION 20 x 18 SOLID BACK	
8	681882	BACK CUSHION 20 x 20 SOLID BACK	
8	681883	BACK CUSHION 20 x 22 SOLID BACK	
8	681884	BACK CUSHION 20 x 24 SOLID BACK	
8	681885	BACK CUSHION 22 x 16 SOLID BACK	
8	681886	BACK CUSHION 22 x 18 SOLID BACK	
8	681887	BACK CUSHION 22 x 20 SOLID BACK	
8	681888	BACK CUSHION 22 x 22 SOLID BACK	
8	681889	BACK CUSHION 22 x 24 SOLID BACK	
8	681890	BACK CUSHION 24 x 16 SOLID BACK	
8	681891	BACK CUSHION 24 x 18 SOLID BACK	
8	681892	BACK CUSHION 24 x 20 SOLID BACK	
8	681893	BACK CUSHION 24 x 22 SOLID BACK	
8	681894	BACK CUSHION 24 x 24 SOLID BACK	
5,8	687400	SOLID BACKREST ASSY 14 x 16/17	
5,8	687401	SOLID BACKREST ASSY 14 x 18/19	
5,8	687402	SOLID BACKREST ASSY 14 x 20/21	
5,8	687403	SOLID BACKREST ASSY 14 x 22/23	
5,8	687404	SOLID BACKREST ASSY 14 x 24	
5,8	687405	SOLID BACKREST ASSY 15 x 16/17	
5,8	687406	SOLID BACKREST ASSY 15 x 18/19	
5,8	687407	SOLID BACKREST ASSY 15 x 20/21	
5,8	687408	SOLID BACKREST ASSY 15 x 22/23	
5,8	687409	SOLID BACKREST ASSY 15 x 24	
5,8	687410	SOLID BACKREST ASSY 16 x 16/17	
5,8	687411	SOLID BACKREST ASSY 16 x 18/19	
5,8	687412	SOLID BACKREST ASSY 16 x 20/21	
5,8	687413	SOLID BACKREST ASSY 16 x 22/23	
5,8	687414	SOLID BACKREST ASSY 16 x 24	

Pos.	Item Number	Description	Remarks
5,8	687415	SOLID BACKREST ASSY 17 x 16/17	
5,8	687416	SOLID BACKREST ASSY 17 x 18/19	
5,8	687417	SOLID BACKREST ASSY 17 x 20/21	
5,8	687418	SOLID BACKREST ASSY 17 x 22/23	
5,8	687419	SOLID BACKREST ASSY 17 x 24	
5,8	687420	SOLID BACKREST ASSY 18 x 16/17	
5,8	687421	SOLID BACKREST ASSY 18 x 18/19	
5,8	687422	SOLID BACKREST ASSY 18 x 20/21	
5,8	687423	SOLID BACKREST ASSY 18 x 22/23	
5,8	687424	SOLID BACKREST ASSY 18 x 24	
5,8	687425	SOLID BACKREST ASSY 19 x 16/17	
5,8	687426	SOLID BACKREST ASSY 19 x 18/19	
5,8	687427	SOLID BACKREST ASSY 19 x 20/21	
5,8	687428	SOLID BACKREST ASSY 19 x 22/23	
5,8	687429	SOLID BACKREST ASSY 19 x 24	
5,8	687430	SOLID BACKREST ASSY 20 x 16/17	
5,8	687431	SOLID BACKREST ASSY 20 x 18/19	
5,8	687432	SOLID BACKREST ASSY 20 x 20/21	
5,8	687433	SOLID BACKREST ASSY 20 x 22/23	
5,8	687434	SOLID BACKREST ASSY 20 x 24	
5,8	687435	SOLID BACKREST ASSY 22 x 16/17	
5,8	687436	SOLID BACKREST ASSY 22 x 18/19	
5,8	687437	SOLID BACKREST ASSY 22 x 20/21	
5,8	687438	SOLID BACKREST ASSY 22 x 22/23	
5,8	687439	SOLID BACKREST ASSY 22 x 24	
5,8	687440	SOLID BACKREST ASSY 24 x 16/17	
5,8	687441	SOLID BACKREST ASSY 24 x 18/19	
5,8	687442	SOLID BACKREST ASSY 24 x 20/21	
5,8	687443	SOLID BACKREST ASSY 24 x 22/23	
5,8	687444	SOLID BACKREST ASSY 24 x 24	
9	210084	NUT HEX NYLOCK M6 BLACK	
10	108312	DISTRIBUTION BLOCK	
11	481106-QU	1/4-28 CHANNEL NUT	
12	109251	BRKT DSTRBTN BLCK	
13	103185-006	BHCSM6X1X16FULLNP	
14	221090	1/4-28 X 3/8 BH C/S BLK	
1-4,6,8	881900	MOUNT KIT SOLID BACK	PAIR
1-4,6,8	881795	MOUNT HDWR SOLID BACK	
15	227140	1/4-28 X 1 3/4 BH C/S BLK ZN	
16	550251	CLMP P300 CHRNG/ADJ FL KDS	
17	204110	1/4-28 NYLOCK NUT BLK ZN	

NOTE: IF MOUNTING LATERALS ONTO A SOLID BACK PLEASE REFER TO THE "LATERAL PAD ASSEMBLY" PARTS PAGE FOR MOUNTING HARDWARE.



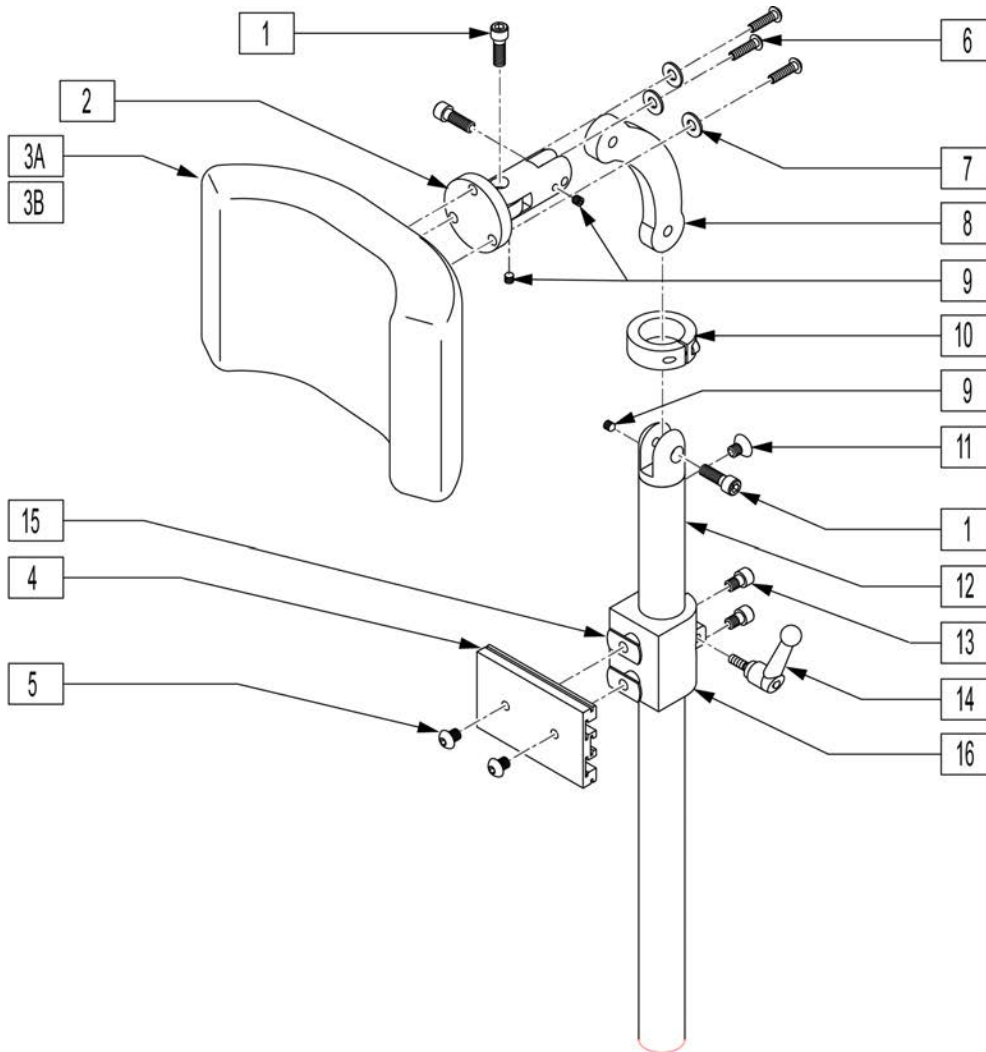
Pos.	Item Number	Description	Remarks
1A	683358	JAY BACK UPH BACK CANE COVER MEDIUM	LEFT 10"-14" & 12"-16"
1A	683360	JAY BACK UPH BACK CANE COVER MEDIUM	RIGHT 10"-14" & 12"-16"
1B	683357	JAY BACK UPH BACK CANE COVER TALL	LEFT 14"-18" & 16"-20"
1B	683359	JAY BACK UPH BACK CANE COVER TALL	RIGHT 14"-18" & 16"-20"
1C	683362	JAY BACK UPH BACK CANE COVER NO LATERAL MEDIUM	LEFT 10"-14" & 12"-16"
1C	683364	JAY BACK UPH BACK CANE COVER NO LATERAL MEDIUM	RIGHT 10"-14" & 12"-16"
1D	683361	JAY BACK UPH BACK CANE COVER NO LATERAL TALL	LEFT 14"-18" & 16"-20"
1D	683363	JAY BACK UPH BACK CANE COVER NO LATERAL TALL	RIGHT 14"-18" & 16"-20"
2A	683305	JAY BACK UPH 14W MEDIUM	10"-14" & 12"-16"
2A	683307	JAY BACK UPH 15W MEDIUM	10"-14" & 12"-16"

Pos.	Item Number	Description	Remarks
2A	683309	JAY BACK UPH 16W MEDIUM	10"-14" & 12"-16"
2A	683311	JAY BACK UPH 17W MEDIUM	10"-14" & 12"-16"
2A	683313	JAY BACK UPH 18W MEDIUM	10"-14" & 12"-16"
2A	683315	JAY BACK UPH 19W MEDIUM	10"-14" & 12"-16"
2A	683317	JAY BACK UPH 20W MEDIUM	10"-14" & 12"-16"
2B	683306	JAY BACK UPH 14W TALL	14"-18" & 16"-20"
2B	683308	JAY BACK UPH 15W TALL	14"-18" & 16"-20"
2B	683310	JAY BACK UPH 16W TALL	14"-18" & 16"-20"
2B	683312	JAY BACK UPH 17W TALL	14"-18" & 16"-20"
2B	683314	JAY BACK UPH 18W TALL	14"-18" & 16"-20"
2B	683316	JAY BACK UPH 19W TALL	14"-18" & 16"-20"
2B	683318	JAY BACK UPH 20W TALL	14"-18" & 16"-20"
3	481800	UNI LATERAL BRKT JAY PRECISION	
4	226353	10-32 X 1 1/2 SOC HD C/S W/PL	
5	481810	UNI LATERAL BRKT SCR ROLL PIN	
6	481811	LATERAL BRKT PREC THD-ROLL PIN	
7	261204	#10 AN WASHER .063	
8	226043	10-32 x 1/2 BH C/S BL	
9	541144	LATERAL BRKT 1.5 W WLDMNT	RIGHT
9	541145	LATERAL BRKT 1.5 W WLDMNT	LEFT
10	881738	S/A ASSM JAY PRECISION	RIGHT
10	881739	S/A ASSM JAY PRECISION	LEFT
11	881109	1 NUT PLATE W/THREADED INSERT	
12	500914	SYMMETRIC LATERAL PANEL	Size 5"X5"
13	751314	2 x 2 VELCRO LOOP	
14	B672	BASE EXTENDED LATERAL	
17	501140	ASYMMETRIC LATERAL PANEL	Size 10"X3.25"
18	697100	ASYMMETRIC LATERAL PANEL EDGE TRIM	
19	683319	JAY BACK UPH INT LATERAL COVER ASYMMETRIC	LEFT
19	683320	JAY BACK UPH INT LATERAL COVER ASYMMETRIC	RIGHT
3-6	880959	UNI LATERAL CLAMP ASSM	
20,21	923300	JAY BACK EXTENSION LATERAL COVER ASYMMETRIC 14-16	
20,21	923301	JAY BACK EXTENSION LATERAL COVER ASYMMETRIC 17-20	
15,16	923302	JAY BACK EXTENSION LATERAL COVER SYMMETRIC 14-16	
15,16	923303	JAY BACK EXTENSION LATERAL COVER SYMMETRIC 17-20	
1C,2	682520	JAY MEDIUM BACK UPH 14 W/O LATERAL	
1C,2	682521	JAY MEDIUM BACK UPH 15 W/O LATERAL	
1C,2	682522	JAY MEDIUM BACK UPH 16 W/O LATERAL	
1C,2	682523	JAY MEDIUM BACK UPH 17 W/O LATERAL	
1C,2	682524	JAY MEDIUM BACK UPH 18 W/O LATERAL	
1C,2	682525	JAY MEDIUM BACK UPH 19 W/O LATERAL	
1C,2	682526	JAY MEDIUM BACK UPH 20 W/O LATERAL	
1D,2B	682527	JAY TALL BACK UPH 14 W/O LATERAL	
1D,2B	682528	JAY TALL BACK UPH 15 W/O LATERAL	
1D,2B	682529	JAY TALL BACK UPH 16 W/O LATERAL	
1D,2B	682530	JAY TALL BACK UPH 17 W/O LATERAL	
1D,2B	682531	JAY TALL BACK UPH 18 W/O LATERAL	
1D,2B	682532	JAY TALL BACK UPH 19 W/O LATERAL	
1D,2B	682533	JAY TALL BACK UPH 20 W/O LATERAL	
1A,2A,3-8,9-16	682534	JAY MEDIUM BACK UPH 14 W/ FIX SYMMETRIC LATERAL	
1A,2A,3-8,9-16	682535	JAY MEDIUM BACK UPH 15 W/ FIX SYMMETRIC LATERAL	
1A,2A,3-8,9-16	682536	JAY MEDIUM BACK UPH 16 W/ FIX SYMMETRIC LATERAL	
1A,2A,3-8,9-16	682537	JAY MEDIUM BACK UPH 17 W/ FIX SYMMETRIC LATERAL	
1A,2A,3-8,9-16	682538	JAY MEDIUM BACK UPH 18 W/ FIX SYMMETRIC LATERAL	
1A,2A,3-8,9-16	682539	JAY MEDIUM BACK UPH 19 W/ FIX SYMMETRIC LATERAL	
1A,2A,3-8,9-16	682540	JAY MEDIUM BAC KUPH 20 W/ FIX SYMMETRIC LATERAL	

Pos.	Item Number	Description	Remarks
1A,2A,3-8,10-16	682541	JAY MEDIUM BACK UPH 14 W/ S/A SYMMETRIC LATERAL	
1A,2A,3-8,10-16	682542	JAY MEDIUM BACK UPH 15 W/ S/A SYMMETRIC LATERAL	
1A,2A,3-8,10-16	682543	JAY MEDIUM BACK UPH 16 W/ S/A SYMMETRIC LATERAL	
1A,2A,3-8,10-16	682544	JAY MEDIUM BACK UPH 17 W/ S/A SYMMETRIC LATERAL	
1A,2A,3-8,10-16	682545	JAY MEDIUM BACK UPH 18 W/ S/A SYMMETRIC LATERAL	
1A,2A,3-8,10-16	682546	JAY MEDIUM BACK UPH 19 W/ S/A SYMMETRIC LATERAL	
1A,2A,3-8,10-16	682547	JAY MEDIUM BACK UPH 20 W/ S/A SYMMETRIC LATERAL	
1B,2B,3-9,11-16	682562	JAY TALL BACK UPH 14 W/ FIX SYMMETRIC LATERAL	
1B,2B,3-9,11-16	682563	JAY TALL BACK UPH 15 W/ FIX SYMMETRIC LATERAL	
1B,2B,3-9,11-16	682564	JAY TALL BACK UPH 16 W/ FIX SYMMETRIC LATERAL	
1B,2B,3-9,11-16	682565	JAY TALL BACK UPH 17 W/ FIX SYMMETRIC LATERAL	
1B,2B,3-9,11-16	682566	JAY TALL BACK UPH 18 W/ FIX SYMMETRIC LATERAL	
1B,2B,3-9,11-16	682567	JAY TALL BACK UPH 19 W/ FIX SYMMETRIC LATERAL	
1B,2B,3-9,11-16	682568	JAY TALL BACK UPH 20 W/ FIX SYMMETRIC LATERAL	
1B,2B,3-8,10-16	682569	JAY TALL BACK UPH 14 W/ S/A SYMMETRIC LATERAL	
1B,2B,3-8,10-16	682570	JAY TALL BACK UPH 15 W/ S/A SYMMETRIC LATERAL	
1B,2B,3-8,10-16	682571	JAY TALL BACK UPH 16 W/ S/A SYMMETRIC LATERAL	
1B,2B,3-8,10-16	682572	JAY TALL BACK UPH 17 W/ S/A SYMMETRIC LATERAL	
1B,2B,3-8,10-16	682573	JAY TALL BACK UPH 18 W/ S/A SYMMETRIC LATERAL	
1B,2B,3-8,10-16	682574	JAY TALL BACK UPH 19 W/ S/A SYMMETRIC LATERAL	
1B,2B,3-8,10-16	682575	JAY TALL BACK UPH 20 W/ S/A SYMMETRIC LATERAL	
1A,2A,3-9,11,17-21	682576	JAY TALL BACK UPH 14 W/ FIX ASYMMETRIC LATERAL	
1A,2A,3-9,11,17-21	682577	JAY TALL BACK UPH 15 W/ FIX ASYMMETRIC LATERAL	
1A,2A,3-9,11,17-21	682578	JAY TALL BACK UPH 16 W/ FIX ASYMMETRIC LATERAL	
1A,2A,3-9,11,17-21	682579	JAY TALL BACK UPH 17 W/ FIX ASYMMETRIC LATERAL	
1A,2A,3-9,11,17-21	682580	JAY TALL BACK UPH 18 W/ FIX ASYMMETRIC LATERAL	
1A,2A,3-9,11,17-21	682581	JAY TALL BACK UPH 19 W/ FIX ASYMMETRIC LATERAL	
1A,2A,3-9,11,17-21	682582	JAY TALL BACK UPH 20 W/ FIX ASYMMETRIC LATERAL	
1A,2A,3-8,10,11,17-21	682583	JAY TALL BACK UPH 14 W/ S/A ASYMMETRIC LATERAL	
1A,2A,3-8,10,11,17-21	682584	JAY TALL BACK UPH 15 W/ S/A ASYMMETRIC LATERAL	
1A,2A,3-8,10,11,17-21	682585	JAY TALL BACK UPH 16 W/ S/A ASYMMETRIC LATERAL	
1A,2A,3-8,10,11,17-21	682586	JAY TALL BACK UPH 17 W/ S/A ASYMMETRIC LATERAL	
1A,2A,3-8,10,11,17-21	682587	JAY TALL BACK UPH 18 W/ S/A ASYMMETRIC LATERAL	
1A,2A,3-8,10,11,17-21	682588	JAY TALL BACK UPH 19 W/ S/A ASYMMETRIC LATERAL	
1A,2A,3-8,10,11,17-21	682589	JAY TALL BACK UPH 20 W/ S/A ASYMMETRIC LATERAL	

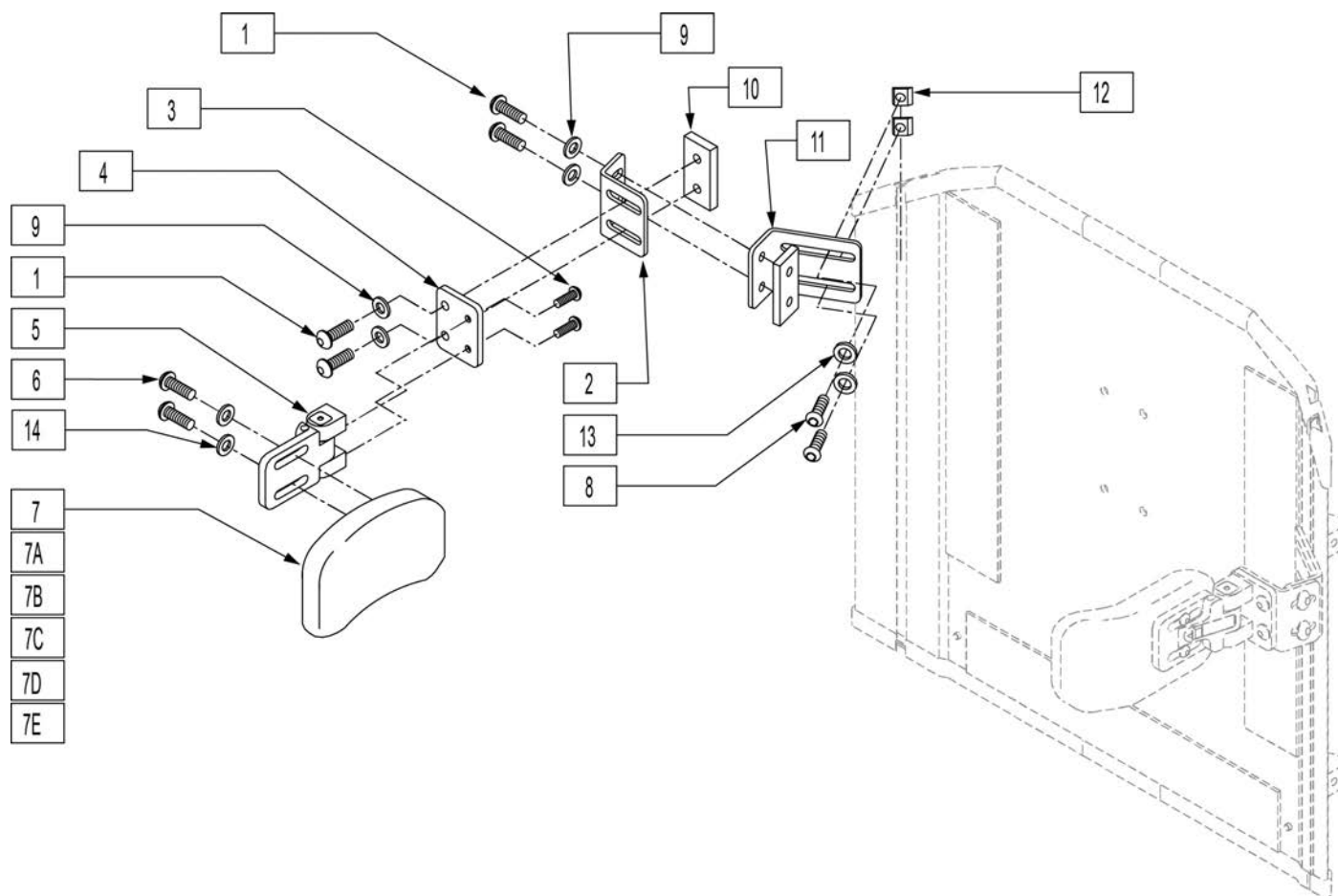
HEADREST

[04/2009]



Pos.	Item Number	Description	Remarks
1	221115	1/4-20 x 3/4" SOC HD C/S BLK	
3A	750696	HEADREST W/ZIPPER MEDIUM CG	8x4.5 pad
3B	750697	HEADREST W/ZIPPER LARGE CG	9x4.5 pad
4	505932	HEADREST MOUNTING TRACK	
5	476304	1/4-28 x .31 BHCS W/PATCH	
6	221010	10-32 x .75 SHCS BLK W/PL	
7	261204	#10 AN WASHER .063	
8	331077	HEADREST LINK 6 INCH	
9	341045	#10-24 CONE POINT SET SCREW	
10	505933	HEADREST COLLAR	
11	226072	1/4-20 x 1/2 FH C/S BLK	
13	226095	1/4-20 x 3/8" SOC C/S BLK ZN	
14	341046	HEADREST CLAMPING HANDLE SCREW	
15	340033	1/4-20 WELD NUTS SLAB BASE	
4,5,13-16	888101	CLAMP HEADREST RIGID BACK	
1,2,4,6-16	881003	HEADREST MOUNTING BRACKET ASSM	
1-3A,4-16	881907	HEADREST ASSEMBLY MEDIUM	8x4.5 pad
1-3B,4-16	881908	HEADREST ASSEMBLY LARGE	9x4.5 pad

NOTE: For symmetric and asymmetric laterals, please refer to the "JAY PRECISION BACKREST & LATERAL" parts page.



Pos.	Item Number	Description	Pos.	Item Number	Description
1	226247	1/4-28 x 5/8 B/H C/S BLACK G5	6,7E,14	450825	TRUNK PAD FLAT 4"H x 6"L 1" CN
2	120093	SWING AWAY LATERAL L BRACKET	8	221092	1/4-28 x 7/16 BH CS BLK W/PTCH
3	226018-QU	10-32 x 3/8 BH C/S W/PATCH BLK	9	261111	9/32 x 5/8 OD FLAT WASHER BLK
4	120091	SWING AWAY LATERAL FLAT BRACKET	10	330134	THREADED PLATE
5	476180	ADJUSTABLE LATERAL SWING AWAY	11	120092	SWING AWAY LAT LONG L BRKT
6	455013-QU	10-32 x 1/2 ALLEN BH SCW	12	481106-QU	1/4-28 CHANNEL NUT
6,7,14	450852	TRUNK PAD CURVED 3"H x 6"L 1" CN	13	106943	WASHER FLAT AN 1/4 ROHS
6,7A,14	450854	TRUNK PAD CURVED 4"H x 5"L 1" CN	14	455031-QU	#10 AN WASHER .032 SS
6,7B,14	450855	TRUNK PAD CURVED 4"H x 6"L 1" CN	1,2,8-13	881902	LATERAL BRACKET ASSM SOLID BACK
6,7C,14	450822	TRUNK PAD FLAT 3"H x 6"L 1" CN	1-5,8-13	900475	S/A LATERAL ASSM SOLID BACK
6,7D,14	450824	TRUNK PAD FLAT 4"H x 5"L 1" CN			

To request assembly of parts being ordered as a kit, please add "ASSY-HNG-FP" after compatible Hanger & Footplate parts are selected

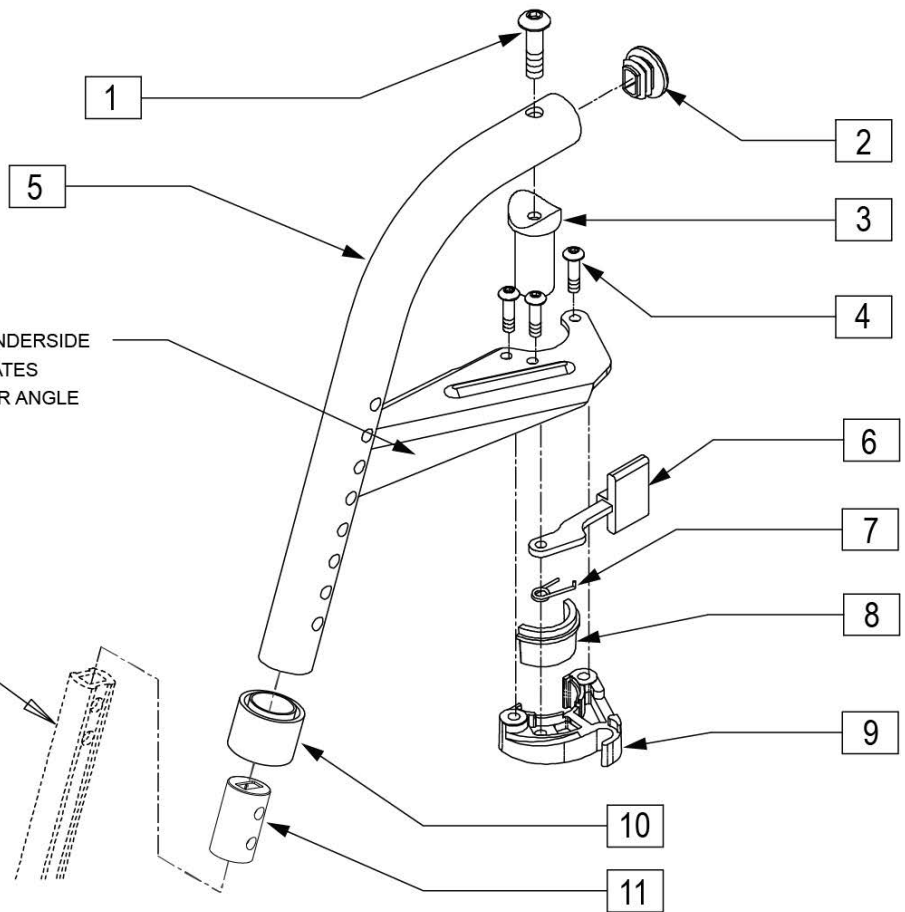
12



ORDER QUANTITY 2 WHEN RETRO-FITTING TO CHAIR

NOTE: STAMP ON UNDERSIDE OF BRACKET INDICATES DEGREE OF HANGER ANGLE

NOTE: DOUBLE D EXTENSION TUBE 2 BOLTS.



Drawing shows left side

Pos.	Item Number	Description	Remarks
1	226217	5/16-18 x 2" BH C/S BLK	
2	561378	END PLUG DBL "D" S525	
3	561197	PLASTIC PIVOT SADDLE	
4	226057	10/24 x .725 BTTN HD SOC BZ	
6	561079	S/A LATCH LEVER	
7	321136	S/A SPRING L RED	Left
7	321137	S/A SPRING R CLEAR	Right
8,9	881500	LATCH BLOCK ASSM R	Right
8,9	881501	LATCH BLOCK ASSM L	Left
10	561082	1" TUBE END BUSHING THIN	
11	100968	SPCR ANTI ROTATE INSRT D2 EXT	
12	107491	LATCH STUD KIT	order qty 2 when retrofitting to chair
1-11	641526S	HANGER ASSM S/A 70D POWER R	Right
1-11	641525S	HANGER ASSM S/A 70D POWER L	Left
		Ship assembled part #	Use with multiple assemblies
	ASSY-HNG-FP	HANGER/FOOTPLATE ASSY REQUIRED	add with Hanger & Footplate kit

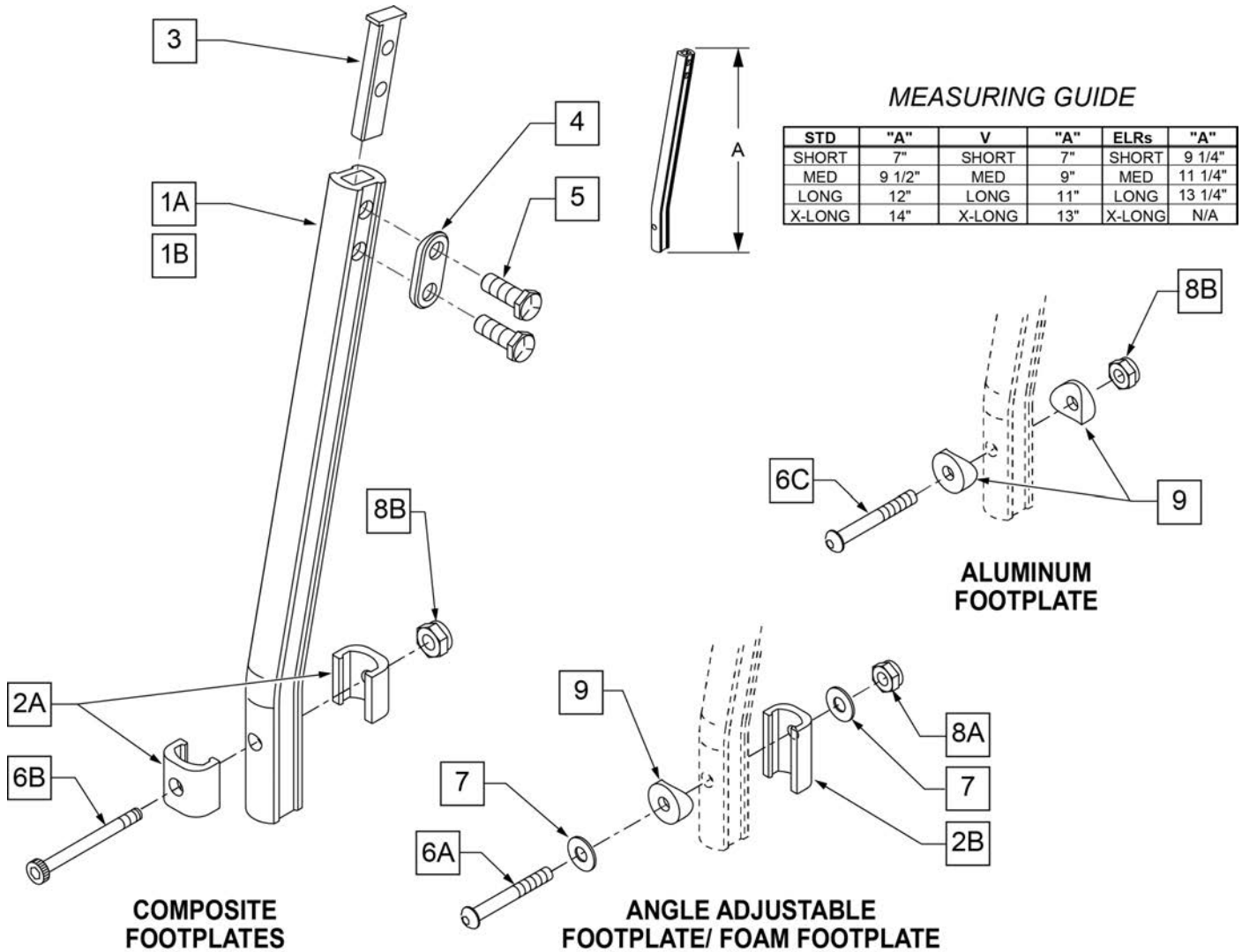
[12/26/2019]

Note: If replacing hanger only and chair was built prior to the serial numbers listed, Quickie S646/S646SE - S/N S64-041562 --Quickie S525 - S/N S52-024192--Quickie P222SE - S/N P2X-0018648--Quickie P220 - S/N P20-028108 please order complete assembly 641525 and/or 641526.

NOTE: DISCONTINUED - PARTS ONLY ON GP SWNG-AWAY BEGINNING 4/4/15 & S/N GP-95902, KIDS Q2 SE BEGINNING 4/16/15 & S/N QKE-003425, LX BEGINNING 10/24/2008 & S/N LX-034330, LXI BEGINNING 4/25/15 & S/N LXI-060868, QTS BEGINNING 5/15/15 & S/N QT-044951, QTS SE BEGINNING 5/15/15 & S/N QTE-002092

NOTE: IF REPLACING AN EXTENSION TUBE ON AN MANUAL ALR PLEASE REFER TO THE ROUND EXT TUBE PARTS MANUAL PAGE.

NOTE: WHEN ORDERING REPLACEMENT EXTENSION TUBES PLEASE VERIFY IF YOU HAVE THE OLD STYLE DOUBLE D EXTENSION TUBE OR THE NEW STYLE DOUBLE D EXTENSION TUBE. THIS CAN BE DONE BY REVIEWING THE HANGER THE EXTENSION TUBE IS USED ON. IF THE HANGER UTILIZES A SINGLE SET SCREW AT THE BOTTOM OF THE HANGER TUBE TO ATTACH THE EXTENSION TUBE TO THE HANGER, THEN THIS UTILIZES THE NEW STYLE DOUBLE D EXT TUBE. ALL OTHER HANGERS REQUIRING A DOUBLE D EXTENSION TUBE UTILIZE THE OLD STYLE.

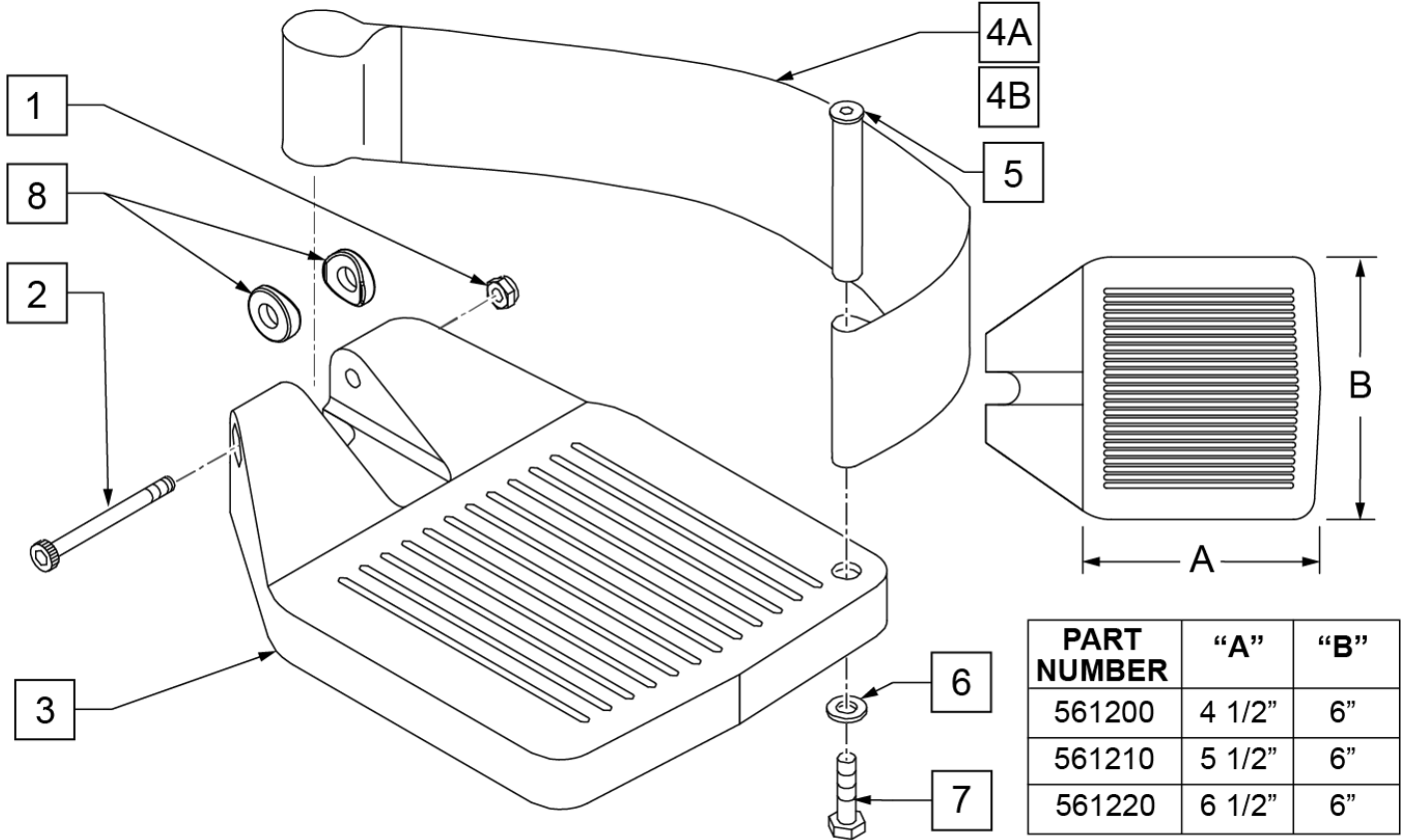


Pos.	Item Number	Description	Remarks
1A	550819	EXT TUBE S/A ONLY SHT	Short Ext-Swing Away Hanger

Pos.	Item Number	Description	Remarks
1A	550820	EXT TUBE S/A ONLY MED	Med Ext-Swing Away Hanger
1A	550821	EXT TUBE S/A ONLY LONG	Long Ext-Swing Away Hanger
1A	550822	EXT TUBE S/A ONLY X-LONG	X-Long Ext-Swing Away Hanger
1B	550834	EXT TUBE V IN ONLY D2 SHT R	Right Short Ext-Swing Away Hanger
1B	550835	EXT TUBE V IN ONLY D2 SHT L	Left Short Ext-Swing Away Hanger
1B	550836	EXT TUBE V IN ONLY D2 MED R	Right Med Ext-Swing Away Hanger
1B	550837	EXT TUBE V IN ONLY D2 MED L	Left Med Ext-Swing Away Hanger
1B	550838	EXT TUBE V IN ONLY D2 LONG R	Right Long Ext-Swing Away Hanger
1B	550839	EXT TUBE V IN ONLY D2 LONG L	Left Long Ext-Swing Away Hanger
1B	550840	EXT TUBE V IN ONLY D2 X-LONG R	Right X-Long Ext-Swing Away Hanger
1B	550841	EXT TUBE V IN ONLY D2 X-LONG L	Left X-Long Ext-Swing Away Hanger
2A	483718	HANGER EXTENSION SADDLE	USE W/ COMPOSITE FTPLT
2B	483720	HANGER EXTENSION SADDLE LONG	USE W/ ANGLE ADJ FTPLT
3	500078	INSERT D2 EXT TUBE	
4	483717	HANGER SADDLE	
5	221102	1/4-28 x 3/4 HEX HEAD C/S BLK W/PTCH	
6A	106962	1/4-28 x 1 3/4 BH C/S BLK ZN	USE W/ ANGLE ADJ FTPLT
6B	226165	1/4 -28 x 2 1/2 SOC C/S	USE W/ COMPOSITE FTPLT
6C	226147	1/4 -28 X 1.85 BH C/S	
7	106945	1/4" SAE WASHER	
8A	106941	1/4 -28 AUTOMATION NUT	USE W/ ANGLE ADJ FTPLT
8B	106935	1/4 -28 NYLOCK NUT THIN	USE W/ COMPOSITE FTPLT
9	561055	3/4 SADDLE 1" OD	USE W/ ANGLE ADJ FTPLT
1A,2A-5	921759	EXT TUBE S/A SHT ASSM PCKT	USE W/ COMPOSITE FTPLT
1A,2A-5	921760	EXT TUBE S/A MED ASSM PCKT	USE W/ COMPOSITE FTPLT
1A,2A-5	921761	EXT TUBE S/A LONG ASSM PCKT	USE W/ COMPOSITE FTPLT
1A,2A-5	921762	EXT TUBE S/A X-LONG ASSM PCKT	USE W/ COMPOSITE FTPLT
1B,2A-5	921751	EXT TUBE "V" D2 SHT R ASSM PCKT	RIGHT - USE W/ COMPOSITE FTPLT V HANGER
1B,2A-5	921752	EXT TUBE "V" D2 SHT L ASSM PCKT	LEFT - USE W/ COMPOSITE FTPLT V HANGER
1B,2A-5	921753	EXT TUBE "V" D2 MED R ASSM PCKT	RIGHT - USE W/ COMPOSITE FTPLT V HANGER
1B,2A-5	921754	EXT TUBE "V" D2 MED L ASSM PCKT	LEFT - USE W/ COMPOSITE FTPLT V HANGER
1B,2A-5	921755	EXT TUBE "V" D2 LONG R ASSM PCKT	RIGHT - USE W/ COMPOSITE FTPLT V HANGER
1B,2A-5	921756	EXT TUBE "V" D2 LONG L ASSM PCKT	LEFT - USE W/ COMPOSITE FTPLT V HANGER
1B,2A-5	921757	EXT TUBE "V" D2 X-LONG R ASSM PCKT	RIGHT - USE W/ COMPOSITE FTPLT V HANGER
1B,2A-5	921758	EXT TUBE "V" D2 X-LONG L ASSM PCKT	LEFT - USE W/ COMPOSITE FTPLT V HANGER
1A,2A-7,9	921772	EXT TUBE S/A SHT ANG ADJ PCKT	USE W/ ANGLE ADJ FTPLT
1A,2A-7,9	921773	EXT TUBE S/A MED ANG ADJ PCKT	USE W/ ANGLE ADJ FTPLT
1A,2A-7,9	921774	EXT TUBE S/A LONG ANG ADJ PCKT	USE W/ ANGLE ADJ FTPLT
1A,2A-7,9	921775	EXT TUBE S/A X-LONG ANG ADJ PCKT	USE W/ ANGLE ADJ FTPLT
1B,2A-7,9	921764	EXT TUBE "V" D2 SHT R ANG ADJ PCKT	RIGHT - USE W/ ANGLE ADJ FTPLT V HANGER
1B,2A-7,9	921765	EXT TUBE "V" D2 SHT L ANG ADJ PCKT	LEFT - USE W/ ANGLE ADJ FTPLT V HANGER
1B,2A-7,9	921766	EXT TUBE "V" D2 MED R ANG ADJ PCKT	RIGHT - USE W/ ANGLE ADJ FTPLT V HANGER
1B,2A-7,9	921767	EXT TUBE "V" D2 MED L ANG ADJ PCKT	LEFT - USE W/ ANGLE ADJ FTPLT V HANGER
1B,2A-7,9	921768	EXT TUBE "V" D2 LONG R ANG ADJ PCKT	RIGHT - USE W/ ANGLE ADJ FTPLT V HANGER
1B,2A-7,9	921769	EXT TUBE "V" D2 LONG L ANG ADJ PCKT	LEFT - USE W/ ANGLE ADJ FTPLT V HANGER
1B,2A-7,9	921770	EXT TUBE "V" D2 X-LONG R ANG AD PCKT	RIGHT - USE W/ ANGLE ADJ FTPLT V HANGER
1B,2A-7,9	921771	EXT TUBE "V" D2 X-LONG L ANG AD PCKT	LEFT - USE W/ ANGLE ADJ FTPLT V HANGER

To have complete Footrest ship assembled, choose compatible Hanger + Footplate part numbers and add "ASSY-HNG-FP" to order

INSET FORMULA
 0" Inset (Seat Width) = Footrest Width
 1" Inset (Seat Width) -2" = Footrest Width
 "V" Hanger (Seat Width) -4" = Footrest Width
 Offset Hanger Receiver (Seat Width) +2" = Footrest Width



Pos.	Item Number	Description	Remarks
1	106935	1/4 - 28 NYLOCK NUT	
2	226165	1/4 - 28 x 2 1/2 SOC C/S	
3	561200	COMPOSITE FOOTPLATE 14 -15 (16 -18 V)	14 -15 OR 16 -18V
3	561210	COMPOSITE FOOTPLATE 16 -17 (19 -20 V)	16 -17 OR 19 -20V
3	561220	COMPOSITE FOOTPLATE 18 -20	18 -20
4A	741151	HEEL LOOP 14-15 COMPOSITE (14 -15 or 16 -18V)	14 -15 OR 16 -18V
4A	741156	HEEL LOOP 16 -17 or 19 -20V	16 -17 OR 19 -20V
4A	741153	HEEL LOOP 18 -20 COMPOSITE/14-15 ANG ADJ	18 -20
4A	902270	HEEL LOOP COMPOSITE FT 14-15	PAIR 14 -15 OR 16 -18V
4A	902271	HEEL LOOP COMPOSITE FT 16-17	PAIR 16 -17 OR 19 -20V
4A	902272	HEEL LOOP COMPOSITE FT 18-20	PAIR 18 -20
4B	741154	HEEL LOOP 14-15 COMPOSITE HEMI	14 -15 HEMI
4B	741155	HEEL LOOP 16-17 COMPOSITE HEMI	16 -17 HEMI
4B	741153	HEEL LOOP 18-20 COMPOSITE HEMI	18 -10 HEMI
4B	902260	HEEL LOOPS HEMI COMPOSITE 14-15	PAIR 14 -15 HEMI
4B	902261	HEEL LOOPS HEMI COMPOSITE 16-17	PAIR 16 -17 HEMI
4B	902262	HEEL LOOPS HEMI COMPOSITE 18-20	PAIR 18 -20 HEMI
5	561040	HEEL LOOP PEG	
6	106944	1/4 AN WASHER FLAT THIN	

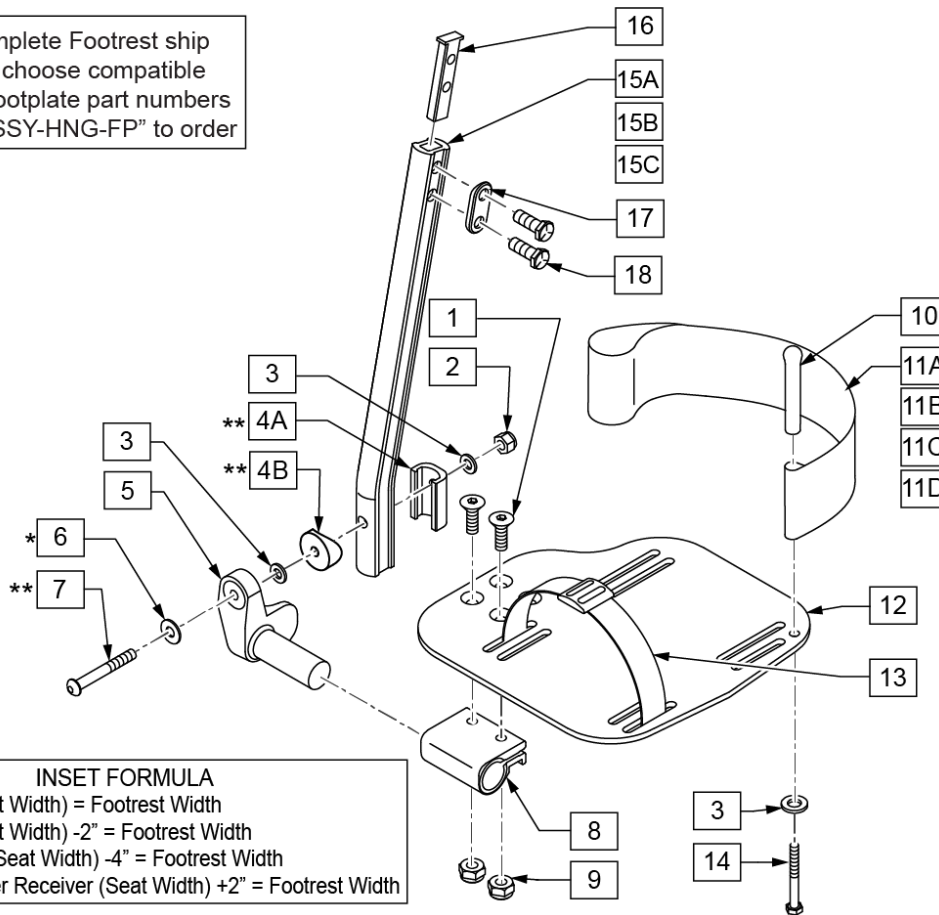
Pos.	Item Number	Description	Remarks
7	106958	HHCS 1/4-20 X 1 ROHS	
8	561003	3/4" SADDLE THIN	USED W/ ROUND EXT TUBES ONLY
1-3	921180	COMPOSITE FOOTPLATE ASSM 14-15	RIGHT (14 -15 OR 16 -18V) W/O HEEL LOOP
1-3	921181	COMPOSITE FOOTPLATE ASSM 14-15	LEFT (14 -15 OR 16 -18V) W/O HEEL LOOP
1-3	921182	COMPOSITE FOOTPLATE ASSM 16-17	RIGHT (16 -17 OR 19 -20V) W/O HEEL LOOP
1-3	921183	COMPOSITE FOOTPLATE ASSM 16-17	LEFT (16 -17 OR 19 -20V) W/O HEEL LOOP
1-3	921184	COMPOSITE FOOTPLATE ASSM 18-20	RIGHT (18 -20) W/O HEEL LOOP
1-3	921185	COMPOSITE FOOTPLATE ASSM 18-20	LEFT (18 -20) W/O HEEL LOOP
1-3	921151	COMPOSITE FOOTPLATE ASSM 14-15/16-18V	PAIR (14 -15 OR 16 -18V) W/O HEEL LOOP
1-3	921152	COMPOSITE FOOTPLATE ASSM 16-17/19-20V	PAIR (16 -17 OR 19 -20V) W/O HEEL LOOP
1-3	921153	COMPOSITE FOOTPLATE ASSM 18-20	PAIR (18 -20) W/O HEEL LOOP
1,2,3A,4-7	921190	COMPOSITE FOOTPLATE ASSM HL LP 14-15	RIGHT (14 -15 OR 16 -18V) W/ HEEL LOOP
1,2,3A,4-7	921191	COMPOSITE FOOTPLATE ASSM HL LP 14-15	LEFT (14 -15 OR 16 -18V) W/ HEEL LOOP
1,2,3A,4-7	921192	COMPOSITE FOOTPLATE ASSM HL LP 16-17	RIGHT (16 -17 OR 19 -20V) W/ HEEL LOOP
1,2,3A,4-7	921193	COMPOSITE FOOTPLATE ASSM HL LP 16-17	LEFT (16 -17 OR 19 -20V) W/ HEEL LOOP
1,2,3A,4-7	921194	COMPOSITE FOOTPLATE ASSM HL LP 18-20	RIGHT (18 -20) W/ HEEL LOOP
1,2,3A,4-7	921195	COMPOSITE FOOTPLATE ASSM HL LP 18-20	LEFT (18 -20) W/ HEEL LOOP
1,2,3A,4-7	921161	COMPOSITE FOOTPLATE ASSM HL 14-15/16-18V	PAIR (14 -15 OR 16 -18V) W/ HEEL LOOP
1,2,3A,4-7	921162	COMPOSITE FOOTPLATE ASSM HL 16-17/19-20V	PAIR (16 -17 OR 19 -20V) W/ HEEL LOOP
1,2,3A,4-7	921163	COMPOSITE FOOTPLATE ASSM HL 18-20	PAIR (18 -20) W/ HEEL LOOP
1,2,3B,4-7	921140	COMPOSITE FOOTPLATE ASSM HEMI HL LP 14-15	RIGHT (14 -15) W/ HEEL LOOP
1,2,3B,4-7	921141	COMPOSITE FOOTPLATE ASSM HEMI HL LP 14-15	LEFT (14 -15) W/ HEEL LOOP
1,2,3B,4-7	921142	COMPOSITE FOOTPLATE ASSM HEMI HL LP 16-17	RIGHT (16 -17) W/ HEEL LOOP
1,2,3B,4-7	921143	COMPOSITE FOOTPLATE ASSM HEMI HL LP 16-17	LEFT (16 -17) W/ HEEL LOOP
1,2,3B,4-7	921144	COMPOSITE FOOTPLATE ASSM HEMI HL LP 18-20	RIGHT (18 -20) W/ HEEL LOOP
1,2,3B,4-7	921145	COMPOSITE FOOTPLATE ASSM HEMI HL LP 18-20	LEFT (18 -20) W/ HEEL LOOP
1,2,3B,4-7	921167	COMPOSITE FOOTPLATE ASSM HEMI HL LPS 14-15	PAIR (14 -15) W/ HEEL LOOP
1,2,3B,4-7	921168	COMPOSITE FOOTPLATE ASSM HEMI HL LPS 16-17	PAIR (16 -17) W/ HEEL LOOP
1,2,3B,4-7	921169	COMPOSITE FOOTPLATE ASSM HEMI HL LPS 18-20	PAIR (18 -20) W/ HEEL LOOP
		Ship assembled part #	Use with multiple assemblies
	ASSY-HNG-FP	HANGER/FOOTPLATE ASSY REQUIRED	add with Hanger & Footplate kit

Note: * only 1 washer prior to 8/13/01.

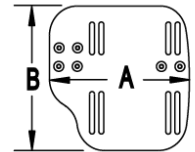
Note: **not included in the Footplate kits; order extension tube kit or part separately.

Note: see attached REFERENCE GUIDE.

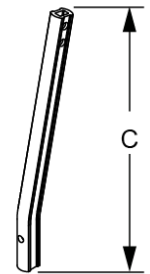
To have complete Footrest ship assembled, choose compatible Hanger + Footplate part numbers and add "ASSY-HNG-FP" to order



MEASURING GUIDE



CHAIR WIDTH	"A"	"B"
10" - 11"	3 1/2"	7 1/4"
12" - 13"	4 1/2"	7 3/4"
14" - 15"	5 1/2"	7 3/4"
16" - 17"	6 1/2"	7 3/4"
18" - 20"	7 1/2"	7 3/4"



STD	"C"
SHORT	7"
MED	9 1/2"
LONG	12"

INSET FORMULA

0" Inset (Seat Width) = Footrest Width
 1" Inset (Seat Width) -2" = Footrest Width
 "V" Hanger (Seat Width) -4" = Footrest Width
 Offset Hanger Receiver (Seat Width) +2" = Footrest Width

Pos.	Item Number	Description	Remarks
1	106978	1/4-28 x 7/8 FH C/S	
2	106941	1/4-28 AUTOMATION NUT	
3	106943	WASHER FLAT AN 1/4 ROHS	
4A	483720	HANGER EXTENSION SADDLE LONG	1 per Ext Tube
4B	561055	3/4" SADDLE 1" OD	1 per Ext Tube
5	541002	FTRST MOUNTING BRKT-3/8 RAD R	RIGHT
5	541003	FTRST MOUNTING BRKT-3/8 RAD L	LEFT
6	106945	WASHER FLAT SAE 1/4 ROHS	
7	106962	BHCS 1/4-28 X 1-3/4 ROHS	
8	550350	3/4" CLMP ADJ FT PLT	
9	106935	NUT NYLOCK THIN 1/4-28 ROHS	

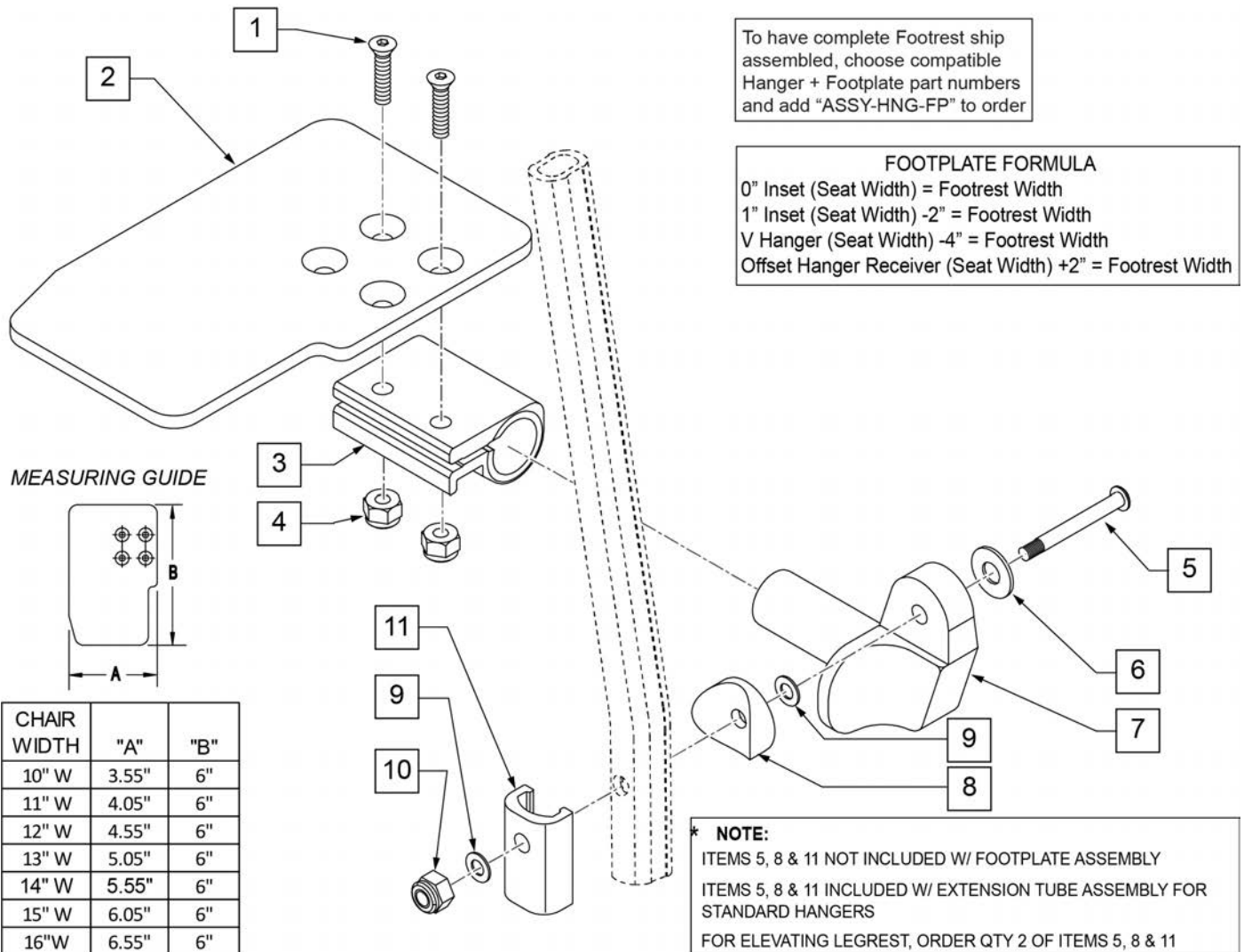
Pos.	Item Number	Description	Remarks
10	561040	HEEL LOOP PEG	
11A	741154	HEEL LOOP 14-15 CMPST HEMI	used w/ 10-11" Adult Ang Adj Ftplts
11B	741155	HEEL LOOP 16-17 CMPST HEMI	used w/ 12 -13" Adult Ang Adj Ftplts
11C	741153	H/L 18-20 CMPST/14-15 ANG ADJ	used w/ 14-15"/16-17" Adult Ang Adj Ftplts
11D	741253	HEEL LOOP ADLT ADJ F/PLT 18-20	used w/ 18 -20" Adult Ang Adj Ftplts
12	500656	ADLT ANGL ADJ F/PLT 10/11" R	RIGHT
12	500657	ADLT ANGL ADJ F/PLT 10/11" L	LEFT
12	500658	ADLT ANGL ADJ F/PLT 12/13" R	RIGHT
12	500659	ADLT ANGL ADJ F/PLT 12/13" L	LEFT
12	500660	ADLT ANGL ADJ F/PLT 14/15	RIGHT
12	500661	ADLT ANGL ADJ F/PLT 14/15	LEFT
12	500662	ADLT ANGL ADJ F/PLT 16/17	RIGHT
12	500663	ADLT ANGL ADJ F/PLT 16/17	LEFT
12	500664	ADLT ANGL ADJ F/PLT 18-20	RIGHT
12	500665	ADLT ANGL ADJ F/PLT 18-20	LEFT
13	740260	TOE/ANKLE STRAP ADJ ADLT F/PLT	
14	106958	1/4-20 x 1 HEX C/S	
15A	550819	EXT TUBE S/A ONLY SHT	Short
15B	550820	EXT TUBE S/A ONLY MED	Medium
15C	550821	EXT TUBE S/A ONLY LONG	Long
16	500078	INSERT D2 EXT TUBE	
17	483717	HANGER SADDLE	
18	221102	1/4-28 X 3/4 HEX HEAD C/S BLK W/PTCH	
1-3,6,7A,9-10,14	101533	ADLT ANG ADJ FP D2 HDWR KIT	for Double D Ext Tubes; Kit for one side
		<<Extension Tube Kit>>	
4A,4B,6,7,15A,16-18	921772	EXT TBE S/A SHT ANG ADJ PCKT	Short
4A,4B,6,7,15B,16-18	921773	EXT TBE S/A MED ANG ADJ PCKT	Medium
4A,4B,6,7,15C,16-18	921774	EXT TBE S/A LNG ANG ADJ PCKT	Long
		<<Footplate Omit Heel Loop>>	
1-3,5,6,8,9,12	820526	AD ANG ADJ F/PLT R 12"/13" OMIT HL	RIGHT
1-3,5,6,8,9,12	820536	AD ANG ADJ F/PLT L 12"/13" OMT HL	LEFT
1-3,5,6,8,9,12	820460	FP ADLT ADJ 14/15 OMIT HL	RIGHT
1-3,5,6,8,9,12	820462	FP ADLT ADJ 14/15 OMIT HL	LEFT
1-3,5,6,8,9,12	820464	FP ADLT ADJ 16/17 OMIT HL	RIGHT
1-3,5,6,8,9,12	820466	FP ADLT ADJ 16/17 OMIT HL	LEFT
1-3,5,6,8,9,12	820468	FP ADLT ADJ 18-20 OMIT HL	RIGHT
1-3,5,6,8,9,12	820470	FP ADLT ADJ 18-20 OMIT HL	LEFT
1-3,5,6,8,9,12	921466	ADLT ANGL ADJ F/PLT 12"/13" OMIT HL	PAIR
1-3,5,6,8,9,12	921320	FP ADLT ADJ 14/15 OMIT HL	PAIR
1-3,5,6,8,9,12	921322	FP ADLT ADJ 16/17 OMIT HL	PAIR
1-3,5,6,8,9,12	921324	FP ADLT ADJ 18-20 OMIT HL	PAIR
		<<Footplate w/ Heel Loop>>	
1-3,5,6,8,9,11B,12	820522	AD ANGL ADJ F/PLT R 12/13" H/L	RIGHT
1-3,5,6,8,9,11B,12	820532	AD ANGL ADJ F/PLT L 12/13" H/L	LEFT
1-3,5,6,8-10,11C, 12,14	820461	FP ADLT ADJ 14/15 HL	RIGHT
1-3,5,6,8-10,11C, 12,14	820463	FP ADLT ADJ 14/15 HL	LEFT
1-3,5,6,8-10,11C, 12,14	820465	FP ADLT ADJ 16/17 HL	RIGHT
1-3,5,6,8-10,11C, 12,14	820467	FP ADLT ADJ 16/17 HL	LEFT
1-3,5,6,8-10,11D, 12,14	820469	FP ADLT ADJ 18-20 HL	RIGHT
1-3,5,6,8-10,11D, 12,14	820471	FP ADLT ADJ 18-20 HL	LEFT
1-3,5,6,8-10,11B, 12,14	921462	ADLT ANGL ADJ F/PLATE 12"/13" HL	PAIR
1-3,5,6,8-10,11C, 12,14	921321	FP ADLT ADJ 14/15 HL	PAIR
1-3,5,6,8-10,11C, 12,14	921323	FP ADLT ADJ 16/17 HL	PAIR
1-3,5,6,8-10,11D, 12,14	921325	FP ADLT ADJ 18-20 HL	PAIR
		Ship assembled part #	Use with multiple assemblies
	ASSY-HNG-FP	HANGER/FOOTPLATE ASSY REQUIRED	add with Hanger & Footplate kit

Note: Footplate Assemblies are set to footrest width; please see "Footplate Formula" table for seat width conversion.

Note: V Style Hangers are not available on Swing Away Style chairs effective 7/14/14; see the "Prior To" ordering guide for V Style footplate assemblies.

Note: Zippie Iris (ZRS&ZRSE) and Zippie TS (Z1A&Z1SE) only use Straight Extension Tube.

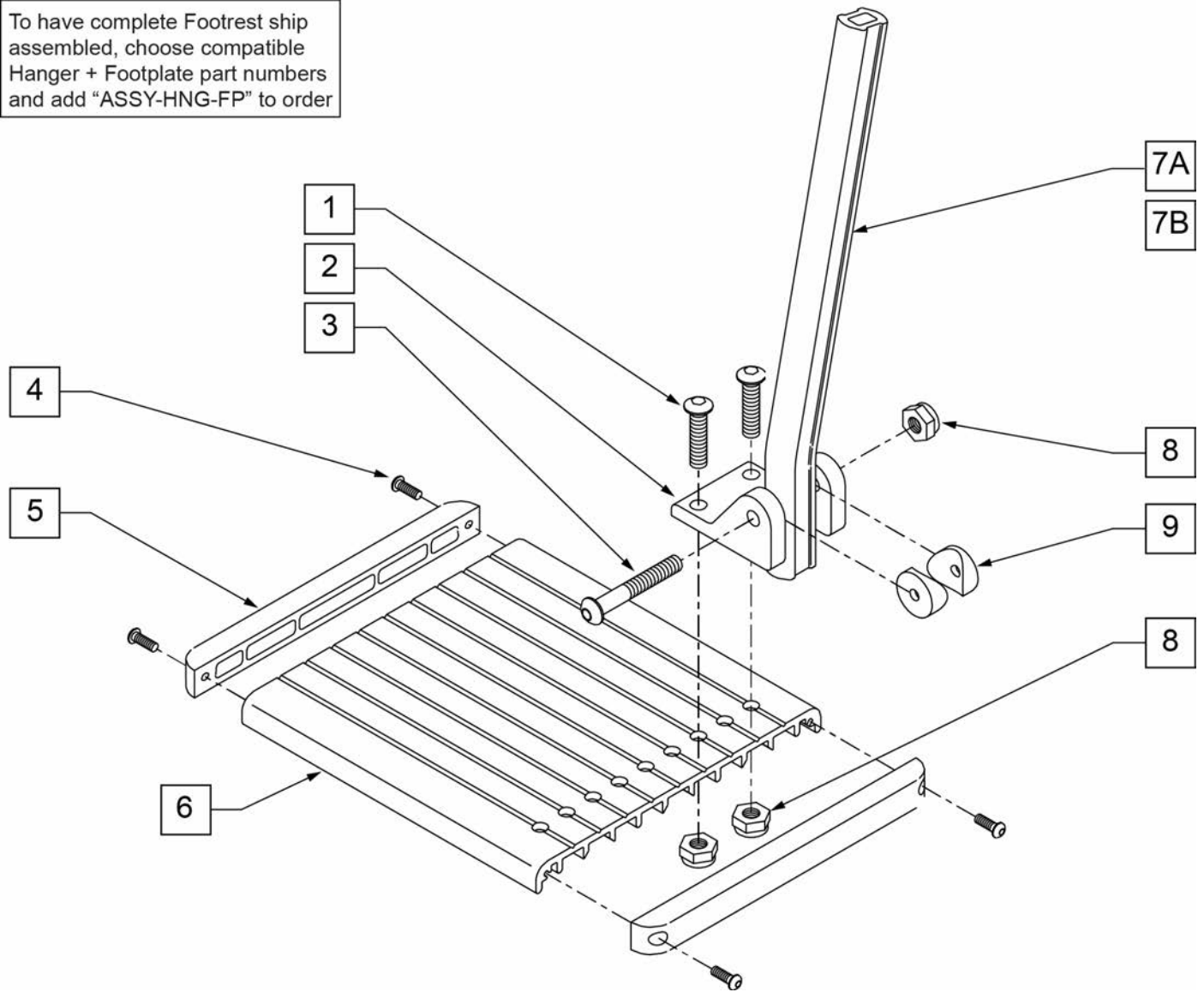
Note: if chair has High Mount Ext Tubes or if switching to High Mount Ext Tubes, see KAA Footplate w/ High Mount Extension Ordering Guide.



Pos.	Item Number	Description	Remarks
1	106978	FHCS 1/4 -28 x 7/8 ROHS	

Pos.	Item Number	Description	Remarks
2	500635	KIDS ANGL ADJ F/PLT 10" R	Right
2	500636	KIDS ANGL ADJ F/PLT 10" L	Left
2	500637	KIDS ANGL ADJ F/PLT 11" R	Right
2	500638	KIDS ANGL ADJ F/PLT 11" L	Left
2	500639	KIDS ANGL ADJ F/PLT 12" R	Right
2	500640	KIDS ANGL ADJ F/PLT 12" L	Left
2	500641	KIDS ANGL ADJ F/PLT 13" R	Right
2	500642	KIDS ANGL ADJ F/PLT 13" L	Left
2	500643	KIDS ANGL ADJ F/PLT 14" R	Right
2	500644	KIDS ANGL ADJ F/PLT 14" L	Left
2	500645	KIDS ANGL ADJ F/PLT 15" R	Right
2	500646	KIDS ANGL ADJ F/PLT 15" L	Left
2	500647	KIDS ANGL ADJ F/PLT 16" R	Right
2	500648	KIDS ANGL ADJ F/PLT 16" L	Left
3	550350	3/4" CLAMP ADJ FOOTPLATE	
4	106935	NUT NYLOCK THIN 1/4 -28 ROHS	
5	106962	1/4-28 x 1 3/4 BH C/S BLK ZN (D2 EXTENSION TUBES)	
5	226167	1/4-28 x 1.625 BH C/S BLK (ROUND EXTENSION TUBES)	
6	106945	1/4 SAE WASHER	
7	541002	FTRST MOUNTING BRKT-3/8 RAD R	
7	541003	FTRST MOUNTING BRKT-3/8 RAD L	
8	561055	3/4" SADDLE 1" OD	
9	106944	WASHER FLAT THIN AN 1/4 ROHS	
10	106941	NUT AUTOMATION 1/4 -28 ROHS	
11	483720	HANGER EXTENSION SADDLE LONG	Use with Double D Ext Tube
1-4,6,7,9,10	828850	KIDS ANG ADJ F/PLT EXT-MNT 10"R	Right
1-4,6,7,9,10	828851	KIDS ANG ADJ F/PLT EXT-MNT 10"L	Left
1-4,6,7,9,10	828852	KIDS ANG ADJ F/PLT EXT-MNT 11"R	Right
1-4,6,7,9,10	828853	KIDS ANG ADJ F/PLT EXT-MNT 11"L	Left
1-4,6,7,9,10	828854	KIDS ANG ADJ F/PLT EXT-MNT 12"R	Right
1-4,6,7,9,10	828855	KIDS ANG ADJ F/PLT EXT-MNT 12"L	Left
1-4,6,7,9,10	828856	KIDS ANG ADJ F/PLT EXT-MNT 13"R	Right
1-4,6,7,9,10	828857	KIDS ANG ADJ F/PLT EXT-MNT 13"L	Left
1-4,6,7,9,10	828858	KIDS ANG ADJ F/PLT EXT-MNT 14"R	Right
1-4,6,7,9,10	828859	KIDS ANG ADJ F/PLT EXT-MNT 14"L	Left
1-4,6,7,9,10	828860	KIDS ANG ADJ F/PLT EXT-MNT 15"R	Right
1-4,6,7,9,10	828861	KIDS ANG ADJ F/PLT EXT-MNT 15"L	Left
1-4,6,7,9,10	828862	KIDS ANG ADJ F/PLT EXT-MNT 16"R	Right
1-4,6,7,9,10	828863	KIDS ANG ADJ F/PLT EXT-MNT 16"L	Left
1-4,6,7,9,10	921280	KIDS ANG ADJ F/PLT EXT-MNT 10"	Pair
1-4,6,7,9,10	921281	KIDS ANG ADJ F/PLT EXT-MNT 11"	Pair
1-4,6,7,9,10	921282	KIDS ANG ADJ F/PLT EXT-MNT 12"	Pair
1-4,6,7,9,10	921283	KIDS ANG ADJ F/PLT EXT-MNT 13"	Pair
1-4,6,7,9,10	921284	KIDS ANG ADJ F/PLT EXT-MNT 14"	Pair
1-4,6,7,9,10	921285	KIDS ANG ADJ F/PLT EXT-MNT 15"	Pair
1-4,6,7,9,10	921286	KIDS ANG ADJ F/PLT EXT-MNT 16"	Pair
		Ship assembled part #	Use with multiple assemblies
	ASSY-HNG-FP	HANGER/FOOTPLATE ASSY REQUIRED	add with Hanger & Footplate kit

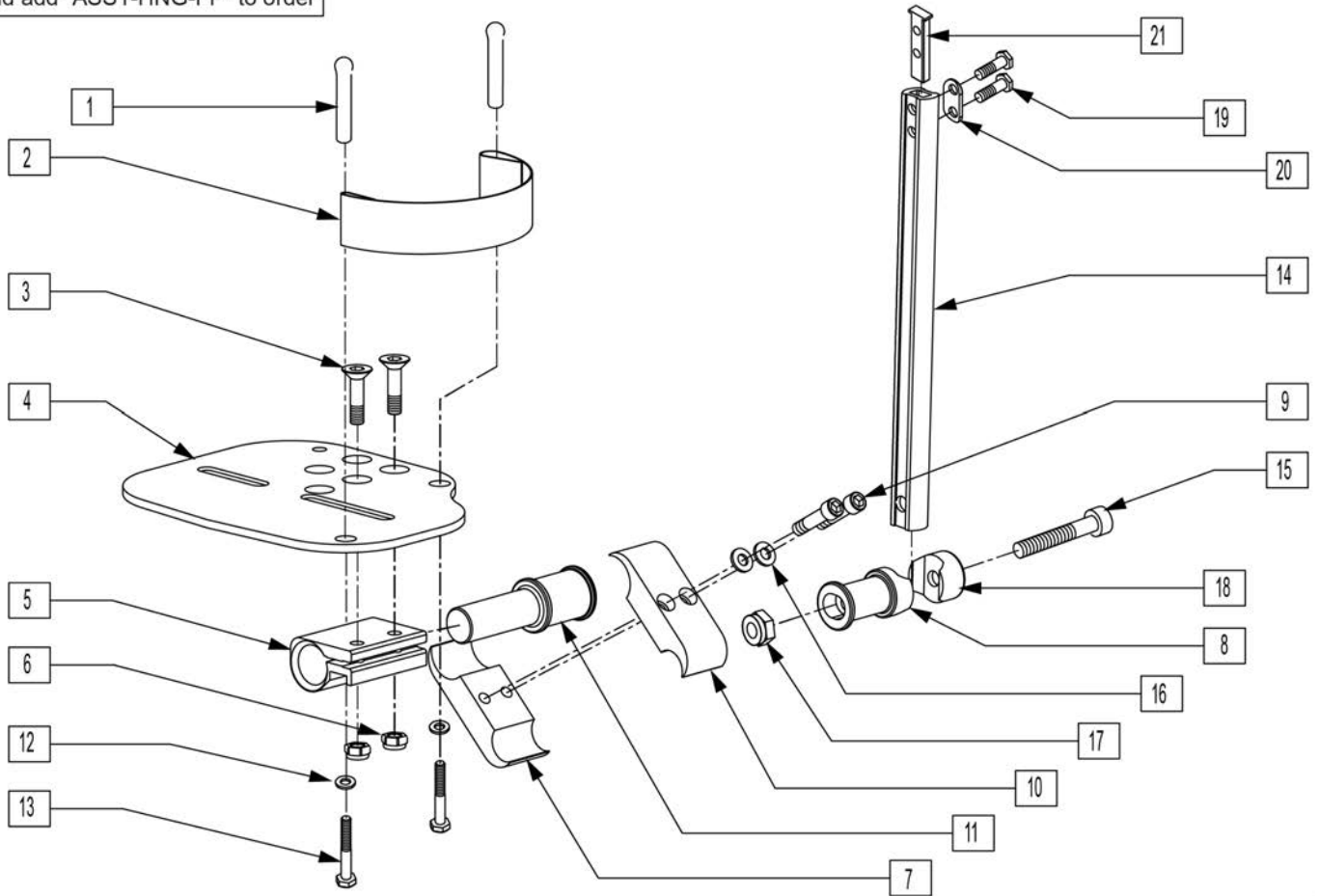
To have complete Footrest ship assembled, choose compatible Hanger + Footplate part numbers and add "ASSY-HNG-FP" to order



Pos.	Item Number	Description	Remarks
1	106959	1/4-28 x 5/8 BH C/S	
2	550739	FOOTPLATE MNT BRKT	
3	226147	1/4-28 x 1.85 BH C/S	
4	281043	#4 x 5/8 PH PHIL S/TAP	
5	560101	END CAPS FOOTREST	
7A	550764	S/A HANGER EXT D2 SHORT BLK	
7B	550766	S/A HANGER EXT D2 LONG BLK	
8	106935	NUT NYLOCK THIN 1/4-28 ROHS	
9	561003	3/4" SADDLE THIN	
4-6	883157	ELR FOOTPLATE 22 -30"	
1-6,8,9	921407	ELR FOOTPLATE KIT 22 -30"	
1-6,8,9	921399	ALUM FTPLT KIT 22-30" ANO M6	for Round Ext Tube
1,3,4,8	101562	ELR FOOTPLATE HDWR KIT	
		Ship assembled part #	Use with multiple assemblies
	ASSY-HNG-FP	HANGER/FOOTPLATE ASSY REQUIRED	add with Hanger & Footplate kit

Note: see Ordering Guide in informations panel to determine the correct size footplate assemblies.

To have complete Footrest ship assembled, choose compatible Hanger + Footplate part numbers and add "ASSY-HNG-FP" to order

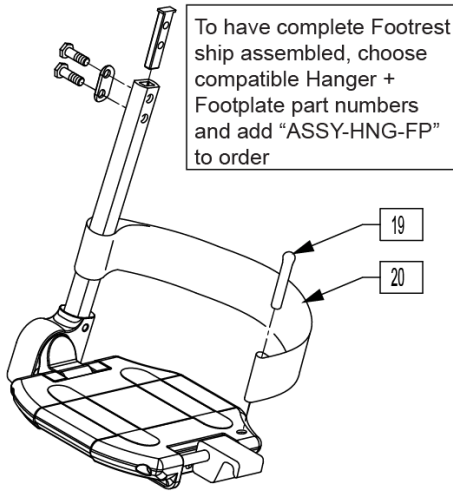


Pos.	Item Number	Description	Remarks
1	561040	HEEL LOOP PEG	
2	741130	HEEL LOOP 14-15 MULTI PSTN	
2	741131	HEEL LOOP 16-17 MULTI PSTN	
2	741132	HEEL LOOP 18-20 MULTI PSTN	
2	741151	HEEL LOOP 14-15 CMPST	
2	741170	HEEL LOOP P300	
3	106978	1/4-28 X 7/8 FH C/S	
4	500658	ADLT ANGL ADJ F/PLT 12/13" R	
4	500659	ADLT ANGL ADJ F/PLT 12/13" L	
4	500660	ADLT ANGL ADJ F/PLT 14/15" R	
4	500661	ADLT ANGL ADJ F/PLT 14/15" L	
4	500662	ADLT ANGL ADJ F/PLT 16/17" R	
4	500663	ADLT ANGL ADJ F/PLT 16/17" L	
4	500664	ADLT ANGL ADJ F/PLT 18-20" R	
4	500665	ADLT ANGL ADJ F/PLT 18-20" L	

Pos.	Item Number	Description	Remarks
5	550350	3/4" CLMP ADJ FT PLT	
6	106935	NUT NYLOCK THIN 1/4-28 ROHS	
7	550576	CLAMP 2 1/4" THREADED BLK	
8	483278	FOOTREST EXT PIVOT ADJ FT/PLT	
9	107032	1/4-28 x 1 SOC C/S BLK	
10	550477	CLAMP 2 1/4" RECESS BLK	
11	483279	FOOTPLATE PIVOT 1" CLAMP	
12	106944	1/4 AN WASHER FLAT THIN	
13	106958	1/4-20 x 1 HEX C/S	
14	550823	EXT TBE MULTI-ADJ ONLY SHORT	
14	550824	EXT TBE MULTI-ADJ ONLY LONG	
15	222207	5/16-24 x 2 1/4 SH C/S BLK ZNC	
16	262114	1/4 WASHER HI COLLAR LOCK ZN	
17	202111	5/16-24 NYLOCK NUT THICK BLK	
18	550786	FOOTREST PIVOT CLAMP	
19	107016	1/4-28 x 3/4 HEX HEAD C/S BLK W/PTCH	
20	483717	HANGER SADDLE	
21	500078	INSERT D2 EXT TUBE	
3-7,9-11,16	820560	MLT ADJ F/PLT 14-15 R STR	
3-7,9-11,16	820561	MLT ADJ F/PLT 14-15 L STR	
3-7,9-11,16	820562	MLT ADJ F/PLT 16-17 R STR	
3-7,9-11,16	820563	MLT ADJ F/PLT 16-17 L STR	
3-7,9-11,16	820564	MLT ADJ F/PLT 18-20 R STR	
3-7,9-11,16	820565	MLT ADJ F/PLT 18-20 L STR	
3-7,9-11,16	820566	MLT ADJ F/PLT 21-24 R STR	
3-7,9-11,16	820567	MLT ADJ F/PLT 21-24 L STR	
1-7,9-13,16	820568	MLT ADJ F/PLT 14-15 R STR W/HL	
1-7,9-13,16	820569	MLT ADJ F/PLT 14-15 L STR W/HL	
1-7,9-13,16	820570	MLT ADJ F/PLT 16-17 R STR W/HL	
1-7,9-13,16	820571	MLT ADJ F/PLT 16-17 L STR W/HL	
1-7,9-13,16	820572	MLT ADJ F/PLT 18-20 R STR W/HL	
1-7,9-13,16	820573	MLT ADJ F/PLT 18-20 L STR W/HL	
1-7,9-13,16	820574	MLT ADJ F/PLT 21-24 R STR W/HL	
1-7,9-13,16	820575	MLT ADJ F/PLT 21-24 L STR W/HL	
3,4,7,9-11,16	820576	MLT ADJ F/PLT 14-15 R FLR	
3,4,7,9-11,16	820577	MLT ADJ F/PLT 14-15 L FLR	
3,4,7,9-11,16	820578	MLT ADJ F/PLT 16-17 R FLR	
3,4,7,9-11,16	820579	MLT ADJ F/PLT 16-17 L FLR	
3,4,7,9-11,16	820580	MLT ADJ F/PLT 18-24 R FLR	
3,4,7,9-11,16	820581	MLT ADJ F/PLT 18-24 L FLR	
1-7,9-13,16	820582	MLT ADJ F/PLT 14-15 R FLR W/HL	
1-7,9-13,16	820583	MLT ADJ F/PLT 14-15 L FLR W/HL	
1-7,9-13,16	820584	MLT ADJ F/PLT 16-17 R FLR W/HL	
1-7,9-13,16	820585	MLT ADJ F/PLT 16-17 L FLR W/HL	
1-7,9-13,16	820586	MLT ADJ F/PLT 18-24 R FLR W/HL	
1-7,9-13,16	820587	MLT ADJ F/PLT 18-24 L FLR W/HL	
3-7,9-11,16	921560	MULTI ADJ F/PLT ASSM STR 14-15	Pair
3-7,9-11,16	921561	MULTI ADJ F/PLT ASSM STR 16-17	Pair
3-7,9-11,16	921562	MULTI ADJ F/PLT ASSM STR 18-20	Pair
3-7,9-11,16	921563	MULTI ADJ F/PLT ASSM STR 21-24	Pair
1-7,9-13,16	921564	MLT ADJ F/P ASM STR 14-15 W/HL	Pair
1-7,9-13,16	921565	MLT ADJ F/P ASM STR 16-17 W/HL	Pair
1-7,9-13,16	921566	MLT ADJ F/P ASM STR 18-20 W/HL	Pair
1-7,9-13,16	921567	MLT ADJ F/P ASM STR 21-24 W/HL	Pair
3-7,9-11,16	921568	MULTI ADJ F/PLT ASSM FLR 14-15	Pair
3-7,9-11,16	921569	MULTI ADJ F/PLT ASSM FLR 16-17	Pair

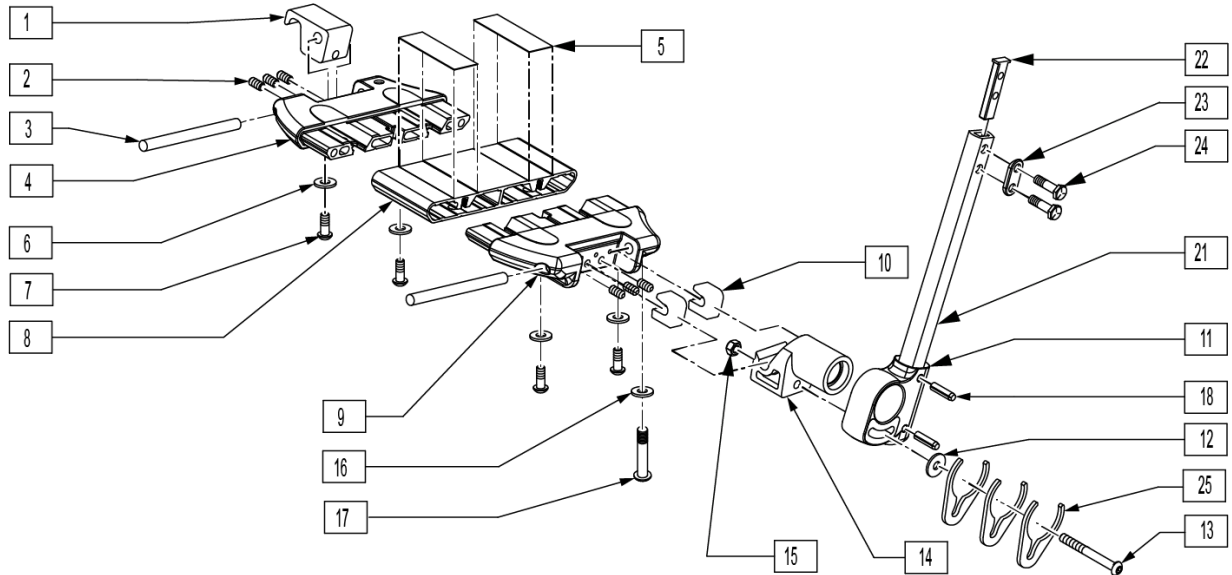
Pos.	Item Number	Description	Remarks
3-7,9-11,16	921570	MULTI ADJ F/PLT ASSM FLR 18-24	Pair
1-7,9-13,16	921571	MLT ADJ F/P ASM FLR 14-15 W/HL	Pair
1-7,9-13,16	921572	MLT ADJ F/P ASM FLR 16-17 W/HL	Pair
1-7,9-13,16	921573	MLT ADJ F/P ASM FLR 18-24 W/HL	Pair
8,14,15,17-21	921740	EXT TB MULTI-ADJ SHT ASSM PCKT	
8,14,15,17-21	921741	EXT TB MULTI-ADJ LNG ASSM PCKT	
		Ship assembled part #	Use with multiple assemblies
	ASSY-HNG-FP	HANGER/FOOTPLATE ASSY REQUIRED	add with Hanger & Footplate kit

TWO PIECE LOCKING FOOTPLATE



To have complete Footrest ship assembled, choose compatible Hanger + Footplate part numbers and add "ASSY-HNG-FP" to order

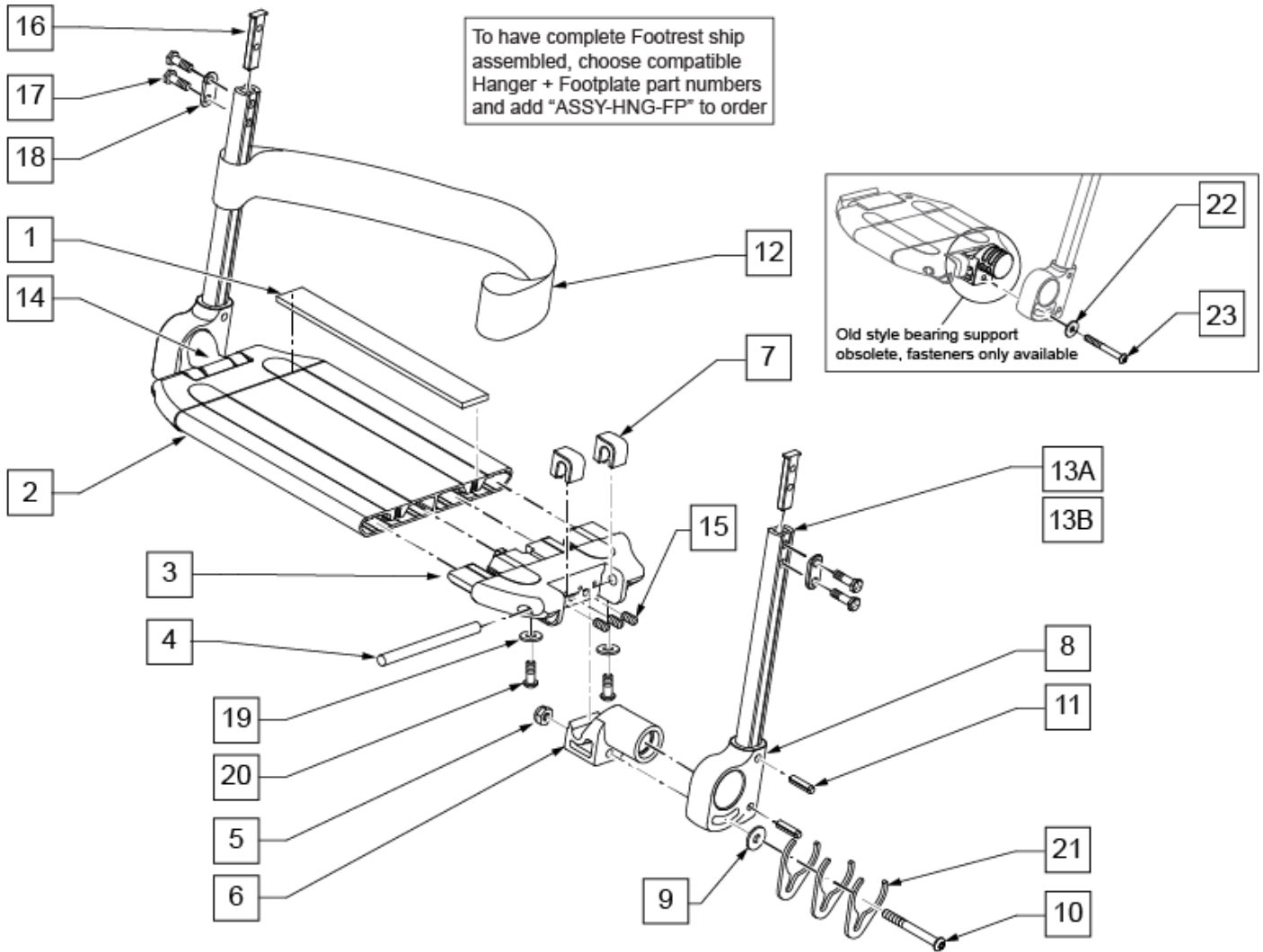
STRAIGHT FRAME									
FRAME WIDTH	FOOTPLATE	LENGTH	RIGHT FOOTPLATE		LEFT FOOTPLATE		ASSEMBLIES W/EXT TUBES		
			ASSEM	SHORT	MED	LONG			
14"	N/A	N/A	N/A	N/A	N/A	N/A	N/A	N/A	N/A
15"	506230	2.23	820621	820620	921350	900280	900290	900172	
16"	506231	2.73	820623	820622	921351	900281	900291	900173	
17"	506232	3.23	820625	820624	921352	900282	900292	900174	
18"	506233	3.73	820627	820626	921353	900283	900293	900175	
19"	506234	4.23	820629	820628	921354	900284	900294	900176	
20"	506235	4.73	820631	820630	921355	900285	900295	900177	
22"	506236	5.73	820633	820632	921356	900286	900296	900178	
24"	506237	6.73	820635	820634	921357	900287	900297	900179	
FLARED FRAME									
14"	506230	2.73	820621	820620	921350	900280	900290	900172	
15"	506231	3.73	820623	820622	921351	900281	900291	900173	
16"	506232	3.73	820625	820624	921352	900282	900292	900174	
17"	506233	4.73	820627	820626	921353	900283	900293	900175	
18"	506234	4.73	820629	820628	921354	900284	900294	900176	
19"	506235	5.73	820631	820630	921355	900285	900295	900177	
20"	506238	5.73	820638	820637	921358	900763	900762	900761	
22"	506228	6.73	820640	820639	921348	900764	900765	900766	
24"	506229	7.73	820642	820641	921349	900767	900768	900769	



Pos.	Item Number	Description	Remarks
1	560034	FOOT BOARD LOCKING SUPPORT	
2	230030	M6 x 12 SET SCREW CUP POINT	
3	481283	PIN 8mm x 100mm	
5	360010	FOOT BOARD SKID TAPE	
6	106943	1/4 AN WASHER FLAT	
7	230032	M6 x 16 B/H CAP SCREW	
9	560019	FOOT BOARD HOLDER R	
9	560020	FOOT BOARD HOLDER L	
10	560021	FOOT BOARD SHIM ALIGNMENT	
11	560024	FOOT YOKE	
12	250070	METRIC WASHER	
13	066900-011	BHCS,MX1.0X65MM	
15	200113	NUT HEX NYLOCK M6 X 1 NUT	
16	106944	1/4 AN WASHER FLAT THIN	
17	106958	1/4-20 x 1 HEX C/S	
18	349583	6 x 25mm GROOVED PIN	
19	561040	HEEL LOOP PEG	
20	741151	HEEL LOOP 14-15 CMPST	

Pos.	Item Number	Description	Remarks
20	741153	H/L 18-20 CMPST/14-15 ANG ADJ	
20	741156	HEEL LOOP 18-20 CMPST	
20	741253	HEEL LOOP ADLT ADJ F/PLT 18-20	
21	550831	EXT TBE PLTFRM ONLY SHT	
21	550832	EXT TBE PLTFRM ONLY MED	
21	550833	EXT TBE PLTFRM ONLY LNG	
22	500078	INSERT D2 EXT TUBE	
23	483717	HANGER SADDLE	
24	221102	1/4-28 x 3/4 HEX HEAD C/S BLK W/PTCH	
26	250070	M6 WASHER	
27	210000	M6 x 55 8.8 BUTTON HD CAP SCRW	
11,18,21-24	921748	EXT TBE PLTFRM SHT ASSM PCKT	
11,18,21-24	921749	EXT TBE PLTFRM MED ASSM PCKT	
11,18,21-24	921750	EXT TBE PLTFRM LNG ASSM PCKT	
1-10,12-16,19,20,25	820620	LOCKING FTPLT 15 W LEFT	
1-10,12-16,19,20,25	820621	LOCKING FTPLT 15 W RIGHT	
1-10,12-16,19,20,25	820622	LOCKING FTPLT 16 W LEFT	
1-10,12-16,19,20,25	820623	LOCKING FTPLT 16 W	
1-10,12-16,19,20,25	820624	LOCKING FTPLT 17 W LEFT	
1-10,12-16,19,20,25	820625	LOCKING FTPLT 17 W RIGHT	
1-10,12-16,19,20,25	820626	LOCKING FTPLT 18 W LEFT	
1-10,12-16,19,20,25	820627	LOCKING FTPLT 18 W RIGHT	
1-10,12-16,19,20,25	820628	LOCKING FTPLT 19 W LEFT	
1-10,12-16,19,20,25	820629	LOCKING FTPLT 19 W RIGHT	
1-10,12-16,19,20,25	820630	LOCKING FTPLT 20 W LEFT	
1-10,12-16,19,20,25	820631	LOCKING FTPLT 20 W RIGHT	
1-10,12-16,19,20,25	820632	LOCKING FTPLT 22 W LEFT	
1-10,12-16,19,20,25	820633	LOCKING FTPLT 22 W RIGHT	
1-10,12-16,19,20,25	820634	LOCKING FTPLT 24 W LEFT	
1-10,12-16,19,20,25	820635	LOCKING FTPLT 24 W RIGHT	
1-21,25	900280	LCKNG FTPLT 15" W/SHT EXT ASSM	
1-21,25	900281	LCKNG FTPLT 16" W/SHT EXT ASSM	
1-21,25	900282	LCKNG FTPLT 17" W/SHT EXT ASSM	
1-21,25	900283	LCKNG FTPLT 18" W/SHT EXT ASSM	
1-21,25	900284	LCKNG FTPLT 19" W/SHT EXT ASSM	
1-21,25	900285	LCKNG FTPLT 20" W/SHT EXT ASSM	
1-21,25	900286	LCKNG FTPLT 22" W/SHT EXT ASSM	
1-21,25	900287	LCKNG FTPLT 24" W/SHT EXT ASSM	
1-21,25	900290	LCKNG FTPLT 15" W/MED EXT ASSM	
1-21,25	900291	LCKNG FTPLT 16" W/MED EXT ASSM	
1-21,25	900292	LCKNG FTPLT 17" W/MED EXT ASSM	
1-21,25	900293	LCKNG FTPLT 18" W/MED EXT ASSM	
1-21,25	900294	LCKNG FTPLT 19" W/MED EXT ASSM	
1-21,25	900295	LCKNG FTPLT 20" W/MED EXT ASSM	
1-21,25	900296	LCKNG FTPLT 22" W/MED EXT ASSM	
1-21,25	900297	LCKNG FTPLT 24" W/MED EXT ASSM	
1-21,25	900172	LCKNG FTPLT 15" W/LNG EXT ASSM	
1-21,25	900173	LCKNG FTPLT 16" W/LNG EXT ASSM	
1-21,25	900174	LCKNG FTPLT 17" W/LNG EXT ASSM	
1-21,25	900175	LCKNG FTPLT 18 W/LNG EXT ASSM	
1-21,25	900176	LCKNG FTPLT 19 W/LNG EXT ASSM	
1-21,25	900177	LCKNG FTPLT 20 W/LNG EXT ASSM	
1-21,25	900178	LCKNG FTPLT 22"W/LNG EXT ASSM	
1-21,25	900179	LCKNG FTPLT 24"W/LNG EXT ASSM	
		Ship assembled part #	Use with multiple assemblies
	ASSY-HNG-FP	HANGER/FOOTPLATE ASSY REQUIRED	add with Hanger & Footplate kit

SOLID ONE PIECE FOOTREST



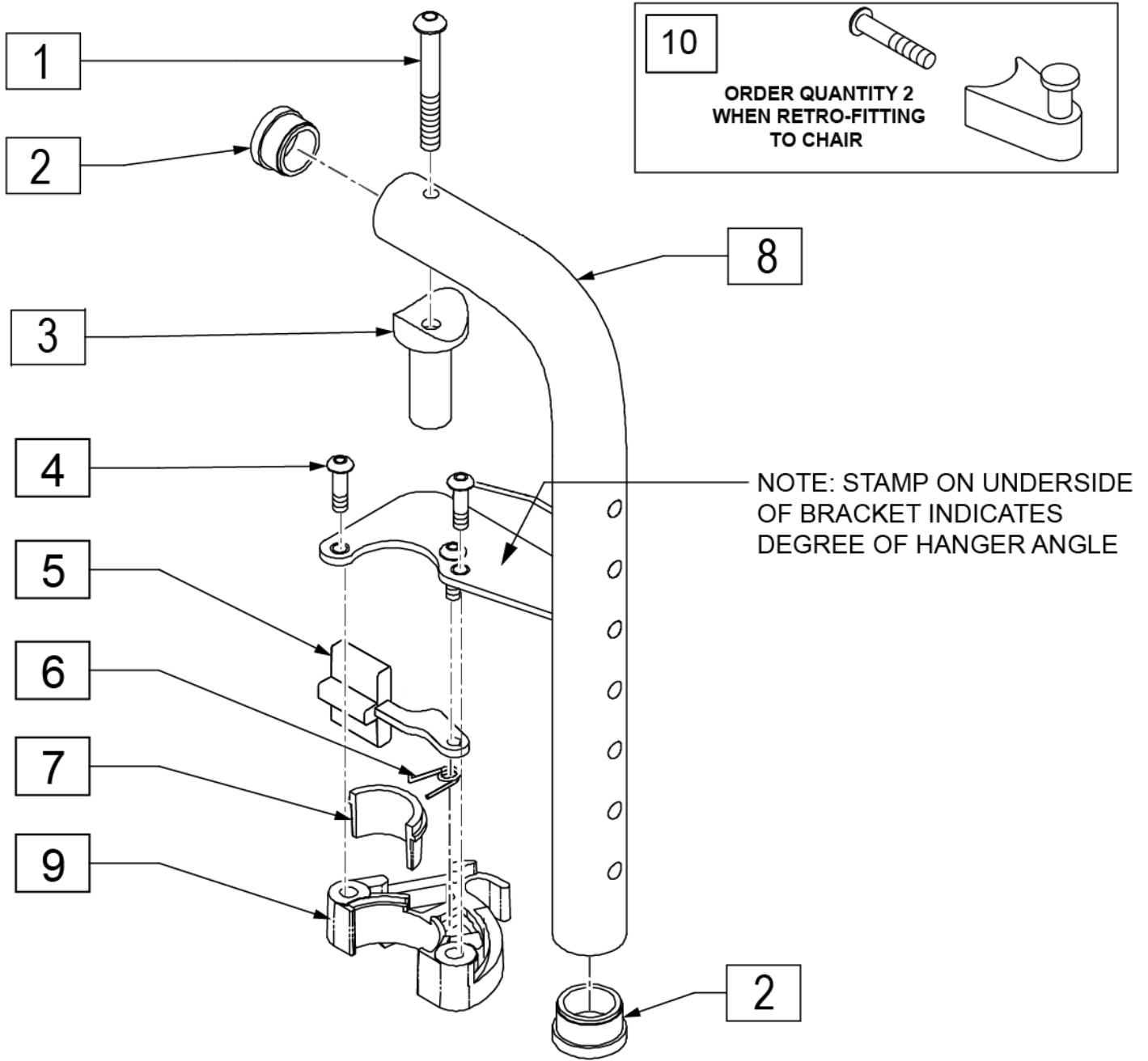
Pos.	Item Number	Description	Remarks
1	360010	FOOT BOARD SKID TAPE	
3	560019	FOOT BOARD HOLDER R	
3	560020	FOOT BOARD HOLDER L	
4	481283	PIN 8mm x 100mm	
5	200113	NUT HEX NYLOCK M6 X 1 NUT	
6	560022	FOOT BOARD SUPPORT	
7	560021	FOOT BOARD SHIM ALIGNMENT	
9	250070	METRIC WASHER	
10	210000	M6 x 55 8.8 BUTTON HD CAP SCRW	
12	740130	LEG STRAP 10"-14" BLK	
12	740131	LEG STRAP 15"-17" BLK	
12	740132	LEG STRAP 18"-20" BLK	
15	230030	M6 x 12 SET SCREW CUP POINT	
16	500078	INSERT D2 EXT TUBE	
17	221102	1/4-28 x 3/4 HEX HEAD C/S BLK W/PTCH	
18	483717	HANGER SADDLE	
19	106943	WASHER FLAT AN 1/4 ROHS	
20	230032	M6 x 16 B/H CAP SCREW	

Pos.	Item Number	Description	Remarks
22	250070	M6 WASHER	
23	210000	M6 x 55 8.8 BUTTON HD CAP SCRW	
8,11,13A,16-18	921748	EXT TBE PLTRFM SHT ASSM PCKT	
8,11,13B,16-18	921749	EXT TBE PLTRFM MED ASSM PCKT	
1-7,9,10,21	900190	SLD 1-PC FOOTREST 14 WIDE	
1-7,9,10,21	900191	SLD 1-PC FOOTREST 15 WIDE	
1-7,9,10,21	900192	SLD 1-PC FOOTREST 16 WIDE	
1-7,9,10,21	900193	SLD 1-PC FOOTREST 17 WIDE	
1-7,9,10,21	900194	SLD 1-PC FTRST 18W TAP/14W ST	
1-7,9,10,21	900195	SLD 1-PC FTRST 19W TAP/15W ST	
1-7,9,10,21	900196	SLD 1-PC FTRST 20W TAP/16W ST	
1-7,9,10,21	900211	SLD 1-PC FTRST 17W STRT	
1-7,9,10,21	900197	SLD 1-PC FTRST 22W TAP/18W ST	
1-7,9,10,21	900209	SLD 1-PC FTRST 19W STRT	
1-7,9,10,21	900198	SLD 1-PC FTRST 24W TAP/20W ST	
1-7,9,10,21	900212	SLD 1-PC FTRST 22INW STRT	
1-7,9,10,21	900210	SLD 1-PC FTRST 24INW STRT	
>>>>		SOLID FOOTREST W/ SHORT EXT	
1-21A	921700	SLD 1PC FTRST 14W/SHRT EXT	Fits 14" Seat Width w/ Tapered Hangers
1-21A	921701	SLD 1PC FTRST 15W W/SHRT EXT	Fits 15" Seat Width w/ Tapered Hangers
1-21A	921702	SLD 1PC FTRST 16W W/SHRT EXT	Fits 16" Seat Width w/ Tapered Hangers
1-21A	921703	SLD 1PC FTRST 17W W/SHRT EXT	Fits 17" Seat Width w/ Tapered Hangers
1-21A	921704	SLD 1PC FR 18INTAP/14INSTR	Fits 18" Seat Width w/ Tapered Hangers OR 14" Seat Width w/ Straight Hangers
1-21A	921705	SLD 1PC FR 19INTAP/15INSTR	Fits 19" Seat Width w/ Tapered Hangers OR 15" Seat Width w/ Straight Hangers

Pos.	Item Number	Description	Remarks
1-21A	921706	SLD 1PC FR 20INTAP/16INSTR	Fits 20" Seat Width w/ Tapered Hangers OR 16" Seat Width w/ Straight Hangers
1-21A	921721	SLD 1PC FTRST 17W/SH EXT STRT	Fits 17" Seat Width w/ Straight Hangers
1-21A	921707	SLD 1PC FR 22INTAP/18INSTR	Fits 22" Seat Width w/ Tapered Hangers OR 18" Seat Width w/ Straight Hangers
1-21A	921698	SLD 1PC FTRST 19W/SH EXT STRT	Fits 19" Seat Width w/ Straight Hangers
1-21A	921708	SLD 1PC FR 24INTAP/20INSTR	Fits 24" Seat Width w/ Tapered Hangers OR 20" Seat Width w/ Straight Hangers
1-21A	921723	SLD 1PC FTRST 22W/SH EXT STRT	Fits 22" Seat Width w/ Straight Hangers
1-21A	921709	SLD 1PC FTRST 24W/SH EXT STRT	Fits 24" Seat Width w/ Straight Hangers
>>>>		SOLID FOOTREST W/ MED EXT	
1-21B	921710	SLD 1PC FTRST 14W/MED EXT	Fits 14" Seat Width w/ Tapered Hangers

Pos.	Item Number	Description	Remarks
1-21B	921711	SLD 1PC FTRST 15W/MED EXT	Fits 15" Seat Width w/ Tapered Hangers
1-21B	921712	SLD 1PC FTRST 16W/MED EXT	Fits 16" Seat Width w/ Tapered Hangers
1-21B	921713	SLD 1PC FTRST 17W/MED EXT	Fits 17" Seat Width w/ Tapered Hangers
1-21B	921714	SLD 1PC FR 18 TAP/14 STR W/M.E	Fits 18" Seat Width w/ Tapered Hangers OR 14" Seat Width w/ Straight Hangers
1-21B	921715	SLD 1PC FR 19 TAP/15 STR W/M.E	Fits 19" Seat Width w/ Tapered Hangers OR 15" Seat Width w/ Straight Hangers
1-21B	921716	SLD 1PC FR 20 TAP/16 STR W/M.E	Fits 20" Seat Width w/ Tapered Hangers OR 16" Seat Width w/ Straight Hangers
1-21B	921722	SLD 1PC FTRST 17W/MD EXT STRT	Fits 17" Seat Width w/ Straight Hangers
1-21B	921717	SLD 1PC FR 22 TAP/18 STR W/M.E	Fits 22" Seat Width w/ Tapered Hangers OR 18" Seat Width w/ Straight Hangers

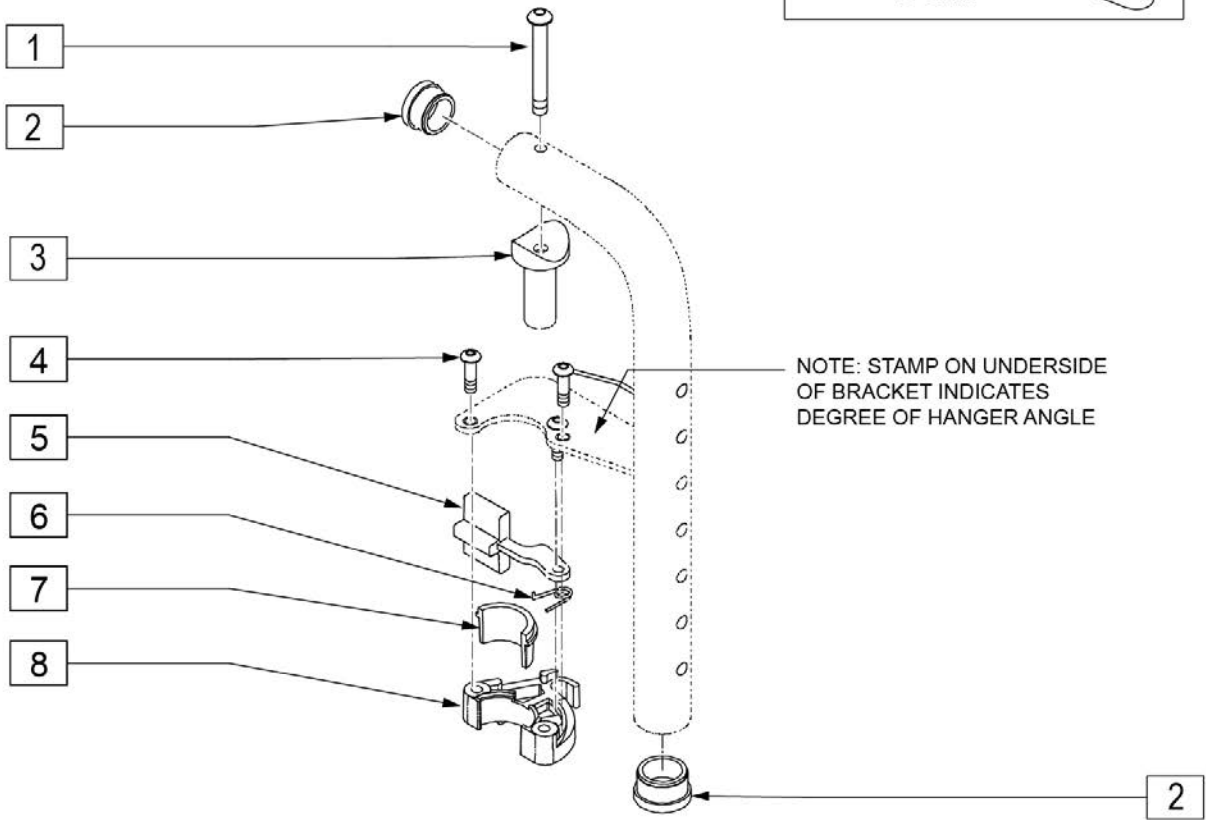
Pos.	Item Number	Description	Remarks
1-21B	921699	SLD 1PC FTRST 19W/MD EXT STRT	Fits 19" Seat Width w/ Straight Hangers
1-21B	921718	SLD 1PC FR 24 TAP/20 STR W/M.E	Fits 24" Seat Width w/ Tapered Hangers OR 20" Seat Width w/ Straight Hangers
1-21B	921724	SLD 1PC FTRST 22W/MD EXT STRT	Fits 22" Seat Width w/ Straight Hangers
1-21B	921719	SLD 1PC FTRST 24W/MD EXT STRT	Fits 24" Seat Width w/ Straight Hangers
		Ship assembled part #	Use with multiple assemblies
	ASSY-HNG-FP	HANGER/FOOTPLATE ASSY REQUIRED	add with Hanger & Footplate kit



Drawing shows left side

Pos.	Item Number	Description	Remarks
1	226291	5/16-18 X 1-1/2 BHCS BK W/PTCH	
2	561002	1" INSERT PLUG .083	
3	483603	PIVOT SADDLE MANUAL/POWER	
4	226057	10/24 X .725 BTTN HD SOC BZ	
5	561079	S/A LATCH LEVER	
6	321136	S/A SPRING L RED	Left
6	321137	S/A SPRING R CLEAR	Right
10	107491	LATCH STUD KIT	Order qty 2 when retrofitting to chair
7,9	881500	LATCH BLOCK ASSM R	Right
7,9	881501	LATCH BLOCK ASSM L	Left
1-9	641148S	HANGER 90D PNTD S/A R PWR	Specify color
1-9	641149S	HANGER 90D PNTD S/A L PWR	Specify color

NOTE: Assembly no longer available. Replace in pairs with 90 DEG FRONT MOUNT HANGER SWING IN-OUT.

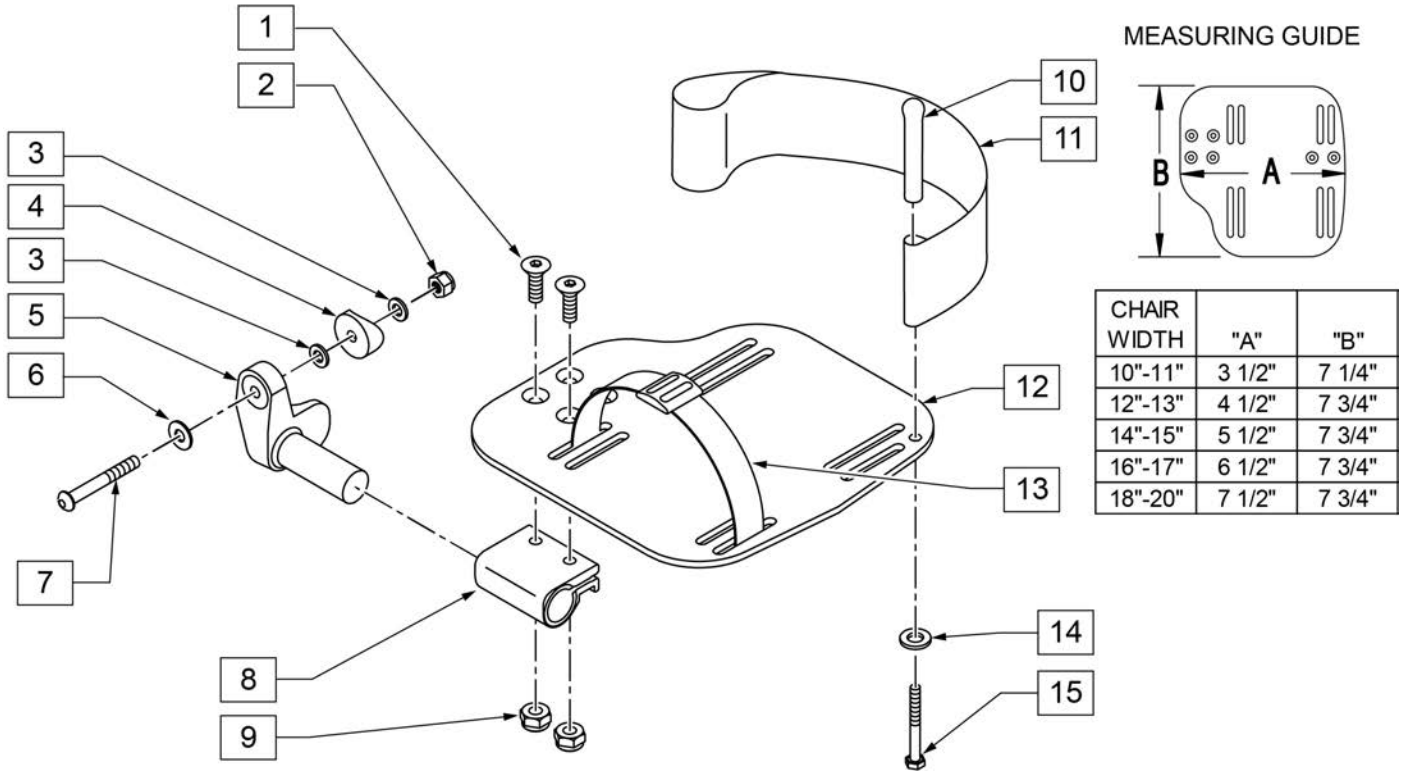


Drawing shows left side

Pos.	Item Number	Description	Remarks
1	226291	5/16-18 x 1-1/2 BHCS BK W/PTCH	
2	561002	1" INSERT PLUG .083	
3	483603	PIVOT SADDLE MANUAL/POWER	
4	226057	10/24 X .725 BTTN HD SOC BZ	
5	561079	S/A LATCH LEVER	
6	321136	S/A SPRING L RED	
6	321137	S/A SPRING R CLEAR	
7,8	881500	LATCH BLOCK ASSM R	
7,8	881501	LATCH BLOCK ASSM L	
4-8	881521	S/A LATCH KIT CASTING RIGHT	
4-8	881522	S/A LATCH KIT CASTING LEFT	
9	107491	LATCH STUD KIT	Order qty 2 when retrofitting to chair

To have complete Footrest ship assembled, choose compatible Hanger + Footplate part numbers and add "ASSY-HNG-FP" to order

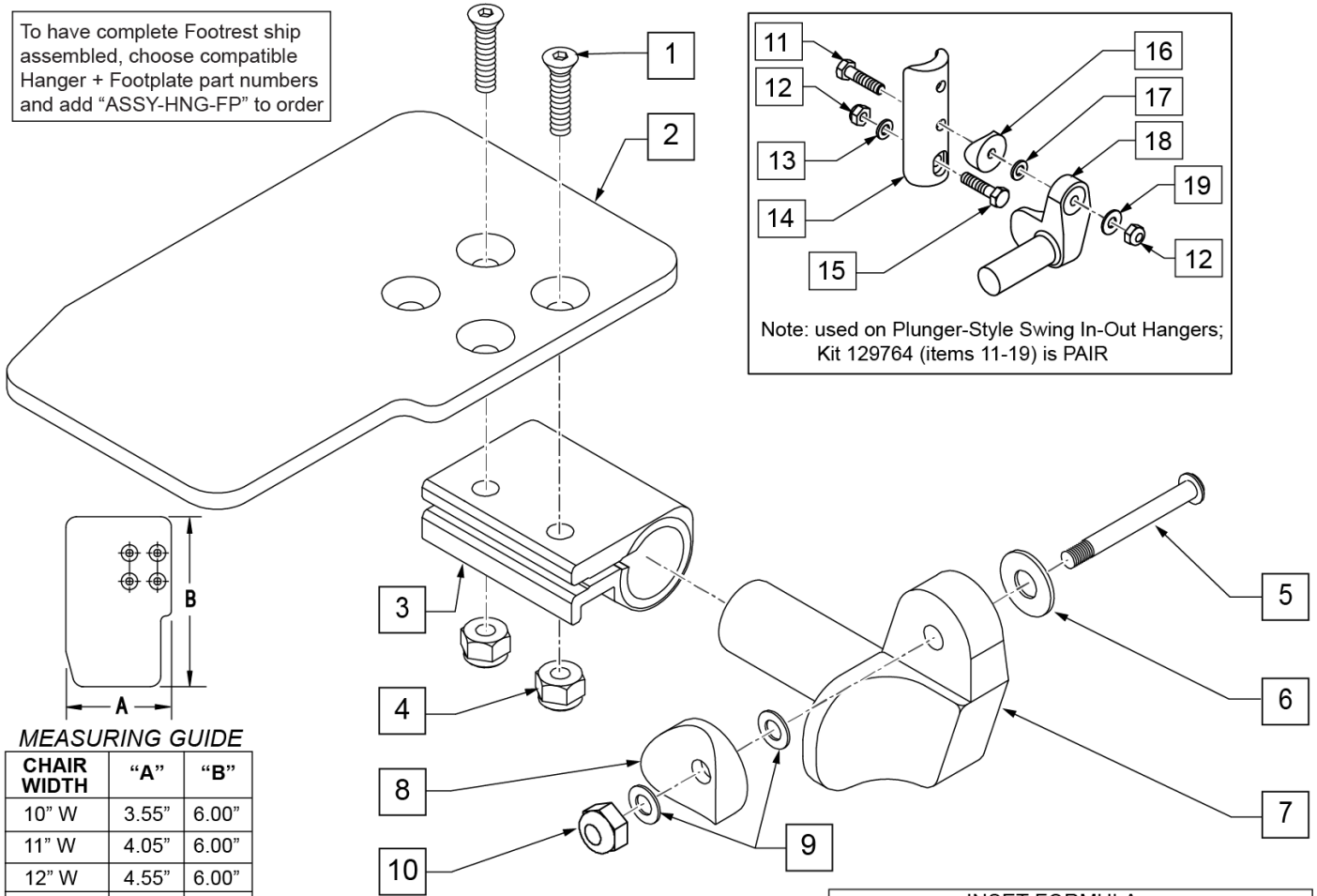
INSET FORMULA
 0" Inset (Seat Width) = Footrest Width
 1" Inset (Seat Width) - 2" = Footrest Width
 "V" Hanger (Seat Width) - 4" = Footrest Width
 Offset Hanger Receiver (Seat Width) + 2" = Footrest Width



Pos.	Item Number	Description	Remarks
1	106978	FHCS 1/4-28 X 7/8 ROHS	
2	106941	NUT AUTOMATION 1/4-28 ROHS	
3	106943	WASHER FLAT AN 1/4 ROHS	
4	561004	1" SADDLE 1/4" HOLE	
5	541000	FOOTREST MOUNTING BRKT 1/2" RAD R	RIGHT
5	541001	FOOTREST MOUNTING BRKT 1/2" RAD L	LEFT
6	106945	WASHER FLAT SAE 1/4 ROHS	
7	106964	BHCS 1/4-28 X 2	
8	550350	3/4" CLAMP ADJ FOOTPLATE	
9	106935	NUT NYLOCK THIN 1/4-28 ROHS	
10	561040	HEEL LOOP PEG	
11	741153	HEEL LOOP 18-20 CMPST/14-15 ANG ADJ	USED W/ 14-15"/16-17" ADULT ANG ADJ FTPLTS
11	741253	HEEL LOOP ADLT ADJ F/PLT 18-20	USED W/ 18 -20" ADULT ANG ADJ FTPLTS
12	500656	ADULT ANGL ADJ F/PLT 10/11	RIGHT
12	500657	ADULT ANGL ADJ F/PLT 10/11	LEFT
12	500658	ADULT ANGL ADJ F/PLT 12/13	RIGHT
12	500659	ADULT ANGL ADJ F/PLT 12/13	LEFT
12	500660	ADULT ANGL ADJ F/PLT 14/15	RIGHT
12	500661	ADULT ANGL ADJ F/PLT 14/15	LEFT
12	500662	ADULT ANGL ADJ F/PLT 16/17	RIGHT
12	500663	ADULT ANGL ADJ F/PLT 16/17	LEFT
12	500664	ADULT ANGL ADJ F/PLT 18-20	RIGHT

Pos.	Item Number	Description	Remarks
12	500665	ADULT ANGL ADJ F/PLT 18-20	LEFT
13	740260	TOE-ANKLE STRAP ADJ ADULT FOOTPLATE	
14	106943	WASHER FLAT AN 1/4 ROHS	
15	106958	HHCS 1/4-20 X 1 ROHS	
1-9,12	820544	FP ADULT ADJ 90D 10/11 R	RIGHT
1-9,12	820554	FP ADULT ADJ 90D 10/11 L	LEFT
1-9,12	820546	FP ADULT ADJ 90D 12/13 R	RIGHT
1-9,12	820556	FP ADULT ADJ 90D 12/13 L	LEFT
1-9,12	820472	FP ADULT ADJ 90D 14/15 R	RIGHT
1-9,12	820473	FP ADULT ADJ 90D 14/15 L	LEFT
1-9,12	820474	FP ADULT ADJ 90D 16/17 R	RIGHT
1-9,12	820475	FP ADULT ADJ 90D 16/17 L	LEFT
1-9,12	820476	FP ADULT ADJ 90D 18-20 R	RIGHT
1-9,12	820477	FP ADULT ADJ 90D 18-20 L	LEFT
1-9,12	921474	ADULT ANGL ADJ 90D 10/11 OMIT H/L	PAIR
1-9,12	921476	ADULT ANGL ADJ 90D 12/13 OMIT H/L	PAIR
1-9,12	921330	ADULT ANGL ADJ 90D 14/15 OMIT H/L	PAIR
1-9,12	921331	ADULT ANGL ADJ 90D 16/17 OMIT H/L	PAIR
1-9,12	921332	ADULT ANGL ADJ 90D 18-20 OMIT H/L	PAIR
1-12,14,15	820540	F/PLT ADULT ADJ 90D 10/11 R W/ HL	RIGHT
1-12,14,15	820550	F/PLT ADULT ADJ 90D 10/11 L W/ HL	LEFT
1-12,14,15	820542	F/PLT ADULT ADJ 90D 12/13 R W/ HL	RIGHT
1-12,14,15	820552	F/PLT ADULT ADJ 90D 12/13 L W/ HL	LEFT
1-12,14,15	820478	F/PLT ADULT ADJ 90D 14/15 R W/ HL	RIGHT
1-12,14,15	820479	F/PLT ADULT ADJ 90D 14/15 L W/ HL	LEFT
1-12,14,15	820480	F/PLT ADULT ADJ 90D 16/17 R W/ HL	RIGHT
1-12,14,15	820481	F/PLT ADULT ADJ 90D 16/17 L W/ HL	LEFT
1-12,14,15	820482	F/PLT ADULT ADJ 90D 18-20 R W/ HL	RIGHT
1-12,14,15	820483	F/PLT ADULT ADJ 90D 18-20 L W/ HL	LEFT
1-12,14,15	921470	F/PLT ADULT ADJ 90D 10/11 W/ HL	PAIR
1-12,14,15	921472	F/PLT ADULT ADJ 90D 12/13 W/ HL	PAIR
1-12,14,15	921333	F/PLT ADULT ADJ 90D 14/15 W/ HL	PAIR
1-12,14,15	921334	F/PLT ADULT ADJ 90D 16/17 W/ HL	PAIR
1-12,14,15	921335	F/PLT ADULT ADJ 90D 18-20 W/ HL	PAIR
		Ship assembled part #	Use with multiple assemblies
	ASSY-HNG-FP	HANGER/FOOTPLATE ASSY REQUIRED	add with Hanger & Footplate kit

To have complete Footrest ship assembled, choose compatible Hanger + Footplate part numbers and add "ASSY-HNG-FP" to order



MEASURING GUIDE

CHAIR WIDTH	"A"	"B"
10" W	3.55"	6.00"
11" W	4.05"	6.00"
12" W	4.55"	6.00"
13" W	5.05"	6.00"
14" W	5.55"	6.00"
15" W	6.05"	6.00"
16" W	6.55"	6.00"

INSET FORMULA

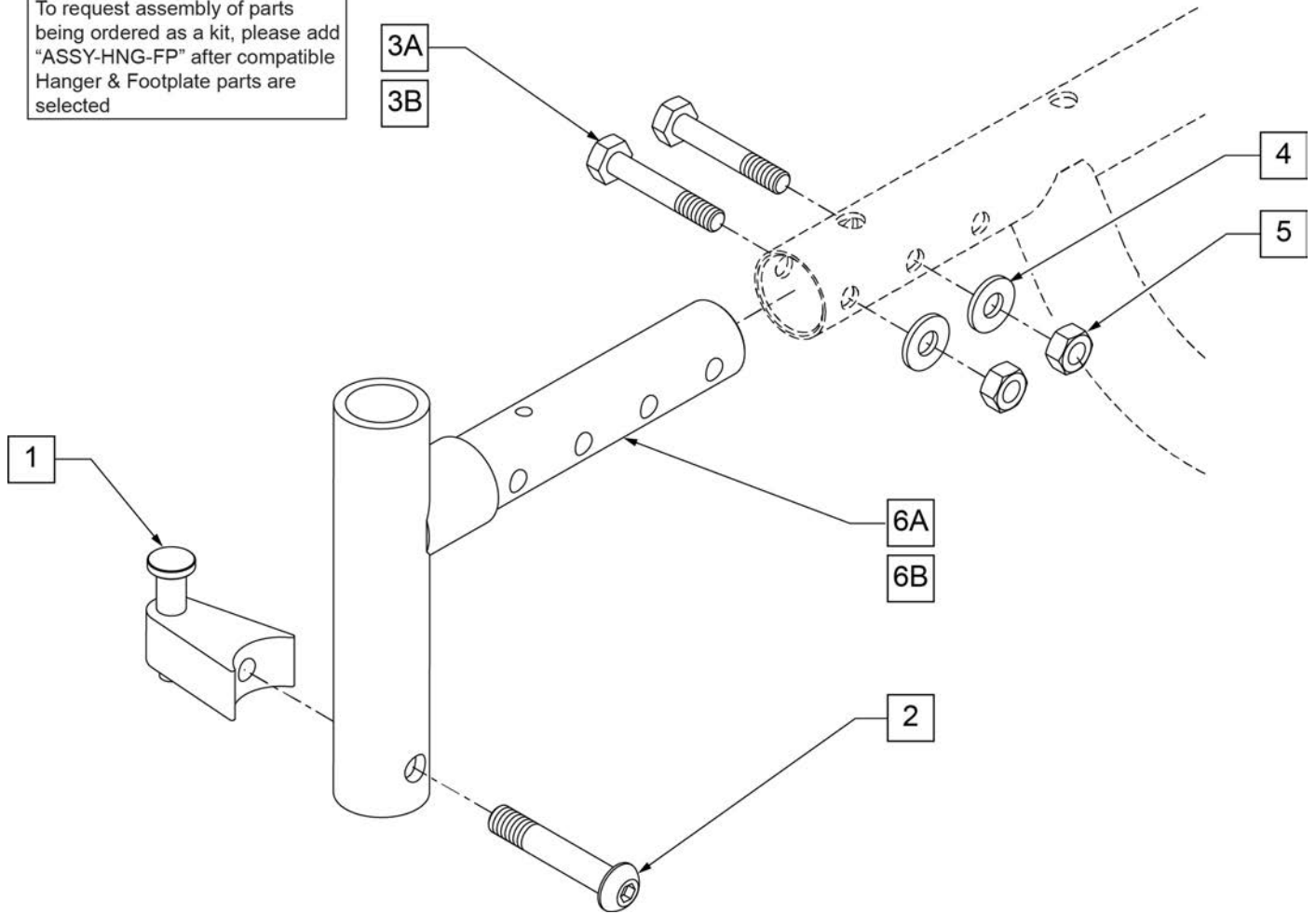
0" Inset (Seat Width) = Footrest Width
 1" Inset (Seat Width) -2" = Footrest Width
 "V" Hanger (Seat Width) -4" = Footrest Width
 Offset Hanger Receiver (Seat Width) +2" = Footrest Width

Pos.	Item Number	Description	Remarks
1	106978	FHCS 1/4-28 X 7/8 ROHS	
2	500635	KIDS ANGL ADJ F/PLT 10	RIGHT
2	500636	KIDS ANGL ADJ F/PLT 10	LEFT
2	500637	KIDS ANGL ADJ F/PLT 11	RIGHT
2	500638	KIDS ANGL ADJ F/PLT 11	LEFT
2	500639	KIDS ANGL ADJ F/PLT 12	RIGHT
2	500640	KIDS ANGL ADJ F/PLT 12	LEFT
2	500641	KIDS ANGL ADJ F/PLT 13	RIGHT
2	500642	KIDS ANGL ADJ F/PLT 13	LEFT
2	500643	KIDS ANGL ADJ F/PLT 14	RIGHT
2	500644	KIDS ANGL ADJ F/PLT 14	LEFT
2	500645	KIDS ANGL ADJ F/PLT 15	RIGHT
2	500646	KIDS ANGL ADJ F/PLT 15	LEFT
2	500647	KIDS ANGL ADJ F/PLT 16	RIGHT
2	500648	KIDS ANGL ADJ F/PLT 16	LEFT
3	550350	3/4 CLAMP ADJ FOOTPLATE	
4	106935	NUT NYLOCK THIN 1/4-28 ROHS	
5	226147	1/4-28 X 1.85 BH C/S BLK ZN	

Pos.	Item Number	Description	Remarks
6	106945	WASHER FLAT SAE 1/4 ROHS	
7	541000	FTRST MOUNTING BRKT 1/2" RAD R	RIGHT
7	541001	FTRST MOUNTING BRKT 1/2" RAD L	LEFT
8	561004	1 SADDLE 1/4 HOLE	
9	106943	WASHER FLAT THIN AN 1/4	
10	106941	NUT AUTOMATION 1/4-28 ROHS	
11	102268-001	HHCS M6 X 1 X 25	
12	132626	NUT AUTOMATION M6 X 1.0 ROHS	
13	107383	WASHER FLAT M6 ROHS	
15	118198	HHCS M6 X 1 X 40 PART NP	
16	561004	1" SADDLE 1/4" HOLE	
17	106943	WASHER FLAT AN 1/4 ROHS	
19	106945	WASHER FLAT SAE 1/4 ROHS	
1-4	158632	CAA F/PLT KIT 10 RT	RIGHT; used with Front Mount Adapter Kit on Plunger-Style Swing In/Out Hangers
1-4	158633	CAA F/PLT KIT 10 LT	LEFT; used with Front Mount Adapter Kit on Plunger-Style Swing In/Out Hangers
1-4	158634	CAA F/PLT KIT 11 RT	RIGHT; used with Front Mount Adapter Kit on Plunger-Style Swing In/Out Hangers
1-4	158635	CAA F/PLT KIT 11 LT	LEFT; used with Front Mount Adapter Kit on Plunger-Style Swing In/Out Hangers
1-4	158636	CAA F/PLT KIT 12 RT	RIGHT; used with Front Mount Adapter Kit on Plunger-Style Swing In/Out Hangers
1-4	158637	CAA F/PLT KIT 12 LT	LEFT; used with Front Mount Adapter Kit on Plunger-Style Swing In/Out Hangers
1-4	158638	CAA F/PLT KIT 13 RT	RIGHT; used with Front Mount Adapter Kit on Plunger-Style Swing In/Out Hangers
1-4	158639	CAA F/PLT KIT 13 LT	LEFT; used with Front Mount Adapter Kit on Plunger-Style Swing In/Out Hangers
1-4	158640	CAA F/PLT KIT 14 RT	RIGHT; used with Front Mount Adapter Kit on Plunger-Style Swing In/Out Hangers
1-4	158641	CAA F/PLT KIT 14 LT	LEFT; used with Front Mount Adapter Kit on Plunger-Style Swing In/Out Hangers
1-4	158642	CAA F/PLT KIT 15 RT	RIGHT; used with Front Mount Adapter Kit on Plunger-Style Swing In/Out Hangers
1-4	158643	CAA F/PLT KIT 15 LT	LEFT; used with Front Mount Adapter Kit on Plunger-Style Swing In/Out Hangers
1-4	158644	CAA F/PLT KIT 16 RT	RIGHT; used with Front Mount Adapter Kit on Plunger-Style Swing In/Out Hangers
1-4	158645	CAA F/PLT KIT 16 LT	LEFT; used with Front Mount Adapter Kit on Plunger-Style Swing In/Out Hangers
1-10	828821	KIDS ANG ADJ F/PLT ASSM 10	RIGHT; used with Old-Style Latch Block Swing In/Out & S/A Hangers
1-10	828822	KIDS ANG ADJ F/PLT ASSM 10	LEFT; used with Old-Style Latch Block Swing In/Out & S/A Hangers
1-10	828823	KIDS ANG ADJ F/PLT ASSM 11	RIGHT; used with Old-Style Latch Block Swing In/Out & S/A Hangers
1-10	828824	KIDS ANG ADJ F/PLT ASSM 11	LEFT; used with Old-Style Latch Block Swing In/Out & S/A Hangers
1-10	828825	KIDS ANG ADJ F/PLT ASSM 12	RIGHT; used with Old-Style Latch Block Swing In/Out & S/A Hangers
1-10	828826	KIDS ANG ADJ F/PLT ASSM 12	LEFT; used with Old-Style Latch Block Swing In/Out & S/A Hangers
1-10	828827	KIDS ANG ADJ F/PLT ASSM 13	RIGHT; used with Old-Style Latch Block Swing In/Out & S/A Hangers
1-10	828828	KIDS ANG ADJ F/PLT ASSM 13	LEFT; used with Old-Style Latch Block Swing In/Out & S/A Hangers
1-10	828829	KIDS ANG ADJ F/PLT ASSM 14	RIGHT; used with Old-Style Latch Block Swing In/Out & S/A Hangers
1-10	828830	KIDS ANG ADJ F/PLT ASSM 14	LEFT; used with Old-Style Latch Block Swing In/Out & S/A Hangers
1-10	828831	KIDS ANG ADJ F/PLT ASSM 15	RIGHT; used with Old-Style Latch Block Swing In/Out & S/A Hangers
1-10	828832	KIDS ANG ADJ F/PLT ASSM 15	LEFT; used with Old-Style Latch Block Swing In/Out & S/A Hangers

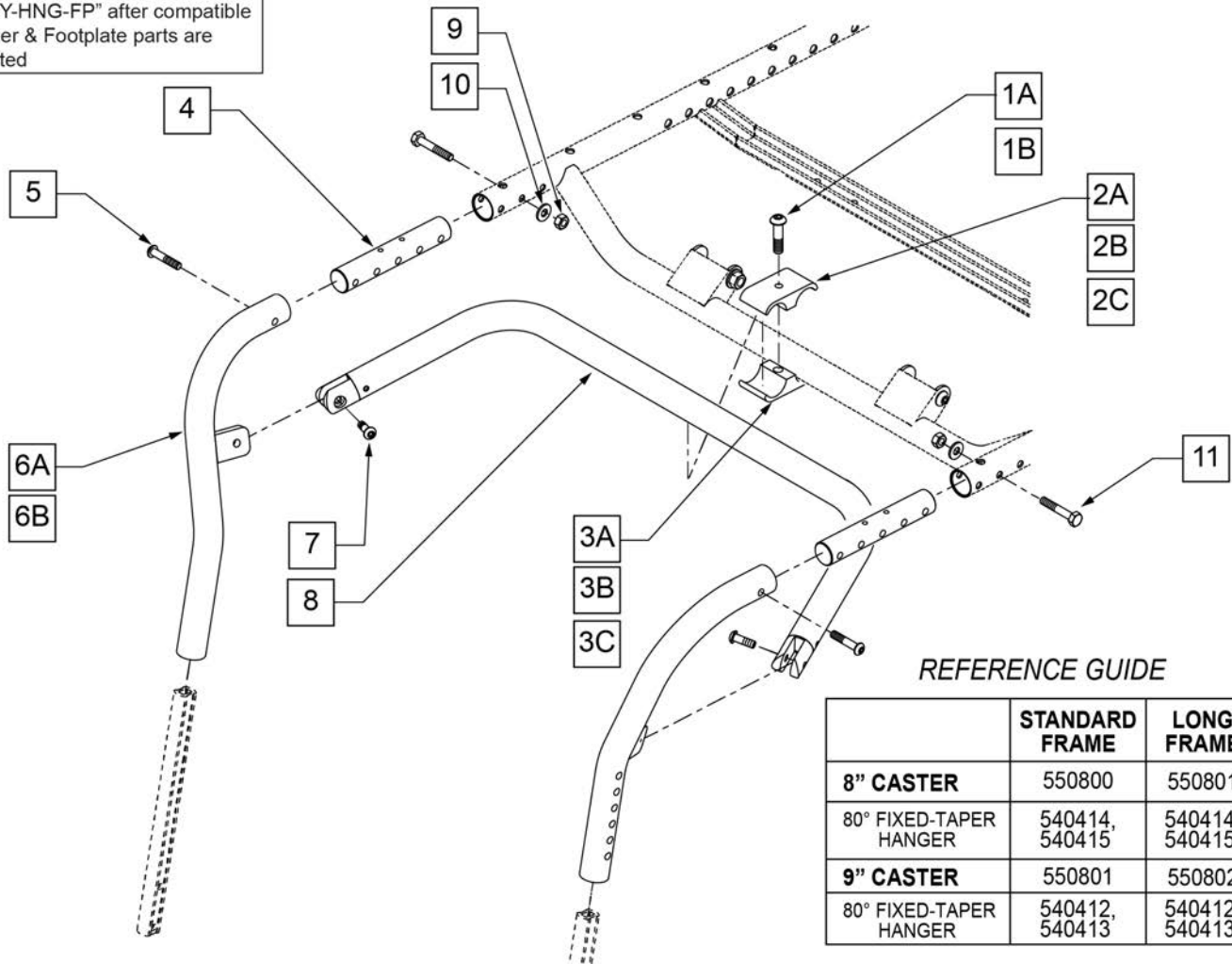
Pos.	Item Number	Description	Remarks
1-10	828833	KIDS ANG ADJ F/PLT ASSM 16	RIGHT; used with Old-Style Latch Block Swing In/Out & S/A Hangers
1-10	828834	KIDS ANG ADJ F/PLT ASSM 16	LEFT; used with Old-Style Latch Block Swing In/Out & S/A Hangers
1-10	921226	KIDS ANG ADJ F/PLT ASSM 10	PAIR; used with Old-Style Latch Block Swing In/Out & S/A Hangers
1-10	921227	KIDS ANG ADJ F/PLT ASSM 11	PAIR; used with Old-Style Latch Block Swing In/Out & S/A Hangers
1-10	921228	KIDS ANG ADJ F/PLT ASSM 12	PAIR; used with Old-Style Latch Block Swing In/Out & S/A Hangers
1-10	921229	KIDS ANG ADJ F/PLT ASSM 13	PAIR; used with Old-Style Latch Block Swing In/Out & S/A Hangers
1-10	921230	KIDS ANG ADJ F/PLT ASSM 14	PAIR; used with Old-Style Latch Block Swing In/Out & S/A Hangers
1-10	921231	KIDS ANG ADJ F/PLT ASSM 15	PAIR; used with Old-Style Latch Block Swing In/Out & S/A Hangers
1-10	921232	KIDS ANG ADJ F/PLT ASSM 16	PAIR; used with Old-Style Latch Block Swing In/Out & S/A Hangers
11-19	129764	AAA FRNT MNT ADAPTER KIT PR	AAA FRNT MNT fits both Kids and Adult Angle Adjustable Footplates
		Ship assembled part #	Use with multiple assemblies
	ASSY-HNG-FP	HANGER/FOOTPLATE ASSY REQUIRED	add with Hanger & Footplate kit

To request assembly of parts being ordered as a kit, please add "ASSY-HNG-FP" after compatible Hanger & Footplate parts are selected



Pos.	Item Number	Description	Remarks
1	105787	PRSD A/A LATCH BLOCK NUT ASSM	
2	226218	5/16-18 x 1 3/4" BH C/S BLK	
3A	226222	1/4-28 x 1 1/2" G8 HEX C/S BLK	(USE WITH SINGLE POST ARMREST)
3B	107015	HHCS 1/4-28 X 1-3/4 ROHS	(USE WITH DUAL-POST ARMREST)
4	106943	1/4 AN WASHER FLAT	
5	204110	1/4-28 NYLOCK NUT BLK ZN	
6A	540001S	S/A HANGER RECEIVER WELDMENT	STD REC (4-1/8" LONG)
6B	540004S	S/A HANGER RECEIVER WELDMENT +1"	LONG (+1) REC (5-1/8" LONG)
1,2	107491	S/A LATCH ASSEMBLY W/BLK BOLT	
1-3A-6A	540325S	S/A HANGER RECEIVER ASSM RIGHT	RIGHT STD
1-3A-6A	540326S	S/A HANGER RECEIVER ASSM LEFT	LEFT STD
1-3A-6B	540327S	S/A HANGER RECEIVER ASSM +1 RIGHT	RIGHT - LONG (+1)
1-3A-6B	540328S	S/A HANGER RECEIVER ASSM +1 LEFT	LEFT - LONG (+1)
		Ship assembled part #	Use with multiple assemblies
	ASSY-HNG-FP	HANGER/FOOTPLATE ASSY REQUIRED	add with Hanger & Footplate kit

To request assembly of parts being ordered as a kit, please add "ASSY-HNG-FP" after compatible Hanger & Footplate parts are selected

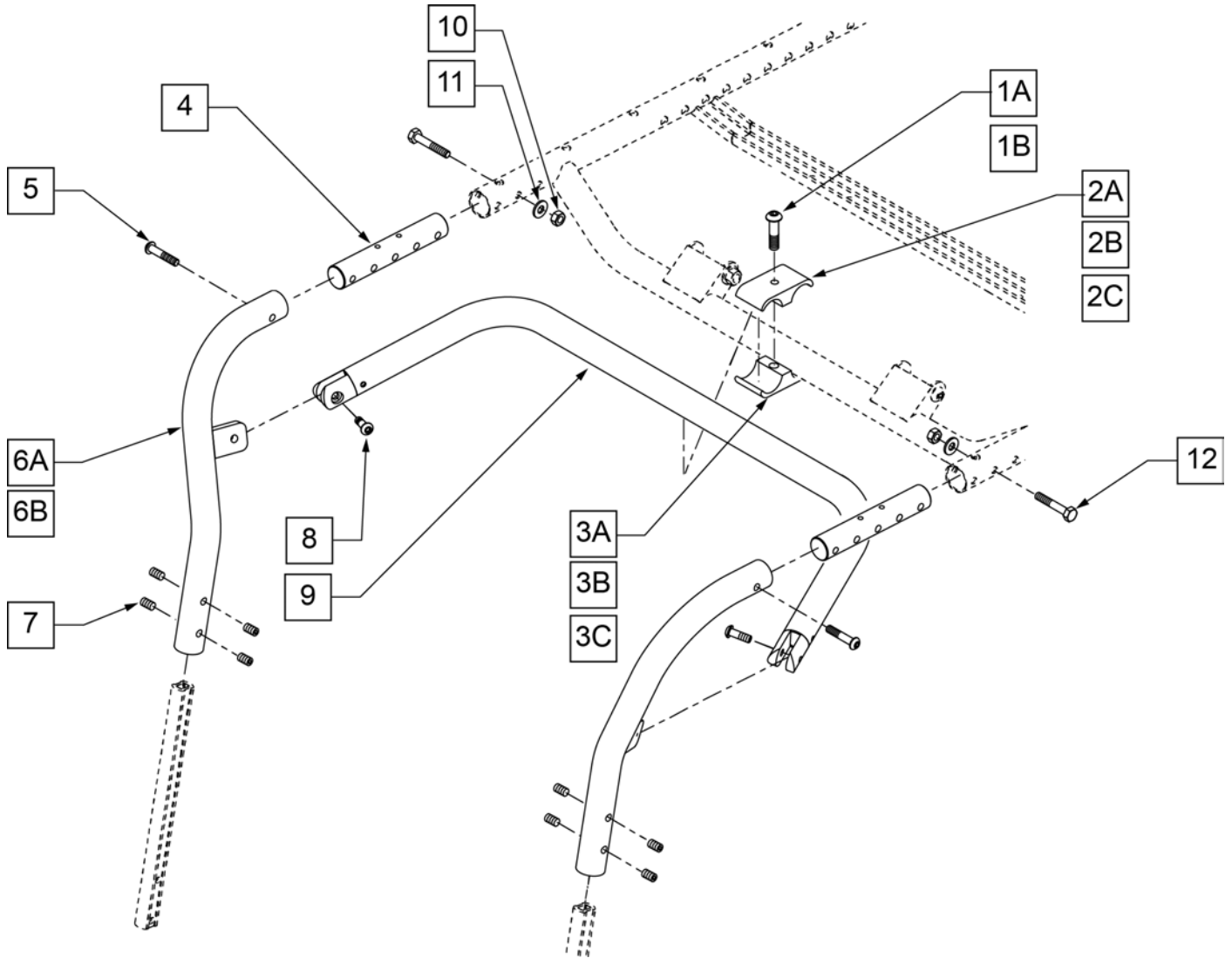


REFERENCE GUIDE

	STANDARD FRAME	LONG FRAME
8" CASTER	550800	550801
80° FIXED-TAPER HANGER	540414, 540415	540414, 540415
9" CASTER	550801	550802
80° FIXED-TAPER HANGER	540412, 540413	540412, 540413

Pos.	Item Number	Description	Remarks
1A	226286	5/16 -18 x 1 1/4 SOC C/S BLK	
1B	222109	5/16 -18 x 1 1/4 BH C/S BLK ZN	
2A	550003-QU	SEAT ANGLE CLAMP SHORT C.C	
2B	550778	HANGER SUPPORT CLAMP +1" RECESS	
2C	550791	HANGER SUPPORT CLAMP +2" RECESS	
3A	550921	SEAT ANGLE CLAMP SHORT THRD C.C.	
3B	550777	HANGER SUPPORT CLAMP +1" THRD	
3C	550790	HANGER SUPPORT CLAMP +2" THRD	
4	520901	FRAME HANGER INSERT P222	
5	226061	1/4 -20 x 1 BH C/S W/ PATCH	
6A	540414S	FRONT UPRIGHT WLDMNT RIGHT BT	
6A	540415S	FRONT UPRIGHT WLDMNT LEFT BT	
6B	540412S	FRONT UPRIGHT WLDMNT RT +1" BT	
6B	540413S	FRONT UPRIGHT WLDMNT LT +1" BT	
7	226064	1/4 -28 x 3/4 BH C/S BLK W/ PATCH	
8	882384	TAPERED HANGER SUPPORT 14" SUB ASSM	
8	882385	TAPERED HANGER SUPPORT 15" SUB ASSM	
8	882386	TAPERED HANGER SUPPORT 16" SUB ASSM	

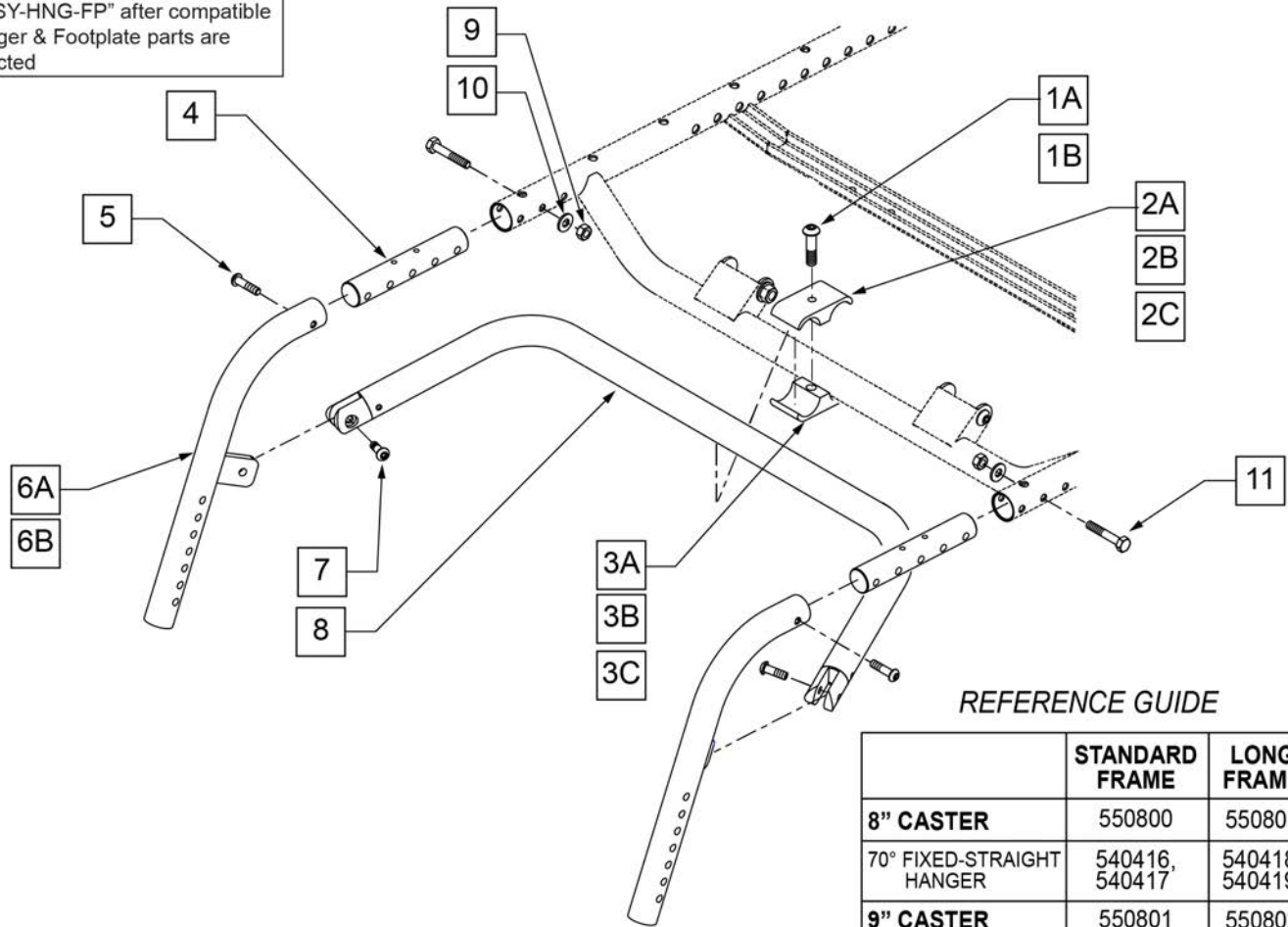
Pos.	Item Number	Description	Remarks
8	882387	TAPERED HANGER SUPPORT 17" SUB ASSM	
8	882388	TAPERED HANGER SUPPORT 18" SUB ASSM	
8	882389	TAPERED HANGER SUPPORT 19" SUB ASSM	
8	882390	TAPERED HANGER SUPPORT 20" SUB ASSM	
8	882391	TAPERED HANGER SUPPORT 22" SUB ASSM	
8	882392	TAPERED HANGER SUPPORT 24" SUB ASSM	
9	204110	1/4 -28 NYLOCK NUT BLK ZN	
10	106943	WASHER FLAT AN 1/4 ROHS	
11	226222	1/4 -28 x 1 1/2 BG HEX C/S BLK	
1B,2,3	550800	HANGER SUPPORT CLAMP ASSM	
1A,2B,3B	550801	HANGER SUPPORT CLAMP +1 ASSM	
1A,2C,3C	550802	HANGER SUPPORT CLAMP +1 20 DP ASSM	
4-11	641354S	FIXED TAPERED HANGER 14" ASSM	
4-11	641355S	FIXED TAPERED HANGER 15" ASSM	
4-11	641356S	FIXED TAPERED HANGER 16" ASSM	
4-11	641357S	FIXED TAPERED HANGER 17" ASSM	
4-11	641358S	FIXED TAPERED HANGER 18" ASSM	
4-11	641359S	FIXED TAPERED HANGER 19" ASSM	
4-11	641360S	FIXED TAPERED HANGER 20" ASSM	
4-11	641361S	FIXED TAPERED HANGER 22" ASSM	
4-11	641362S	FIXED TAPERED HANGER 24" ASSM	
4,5,6B,7-11	641364S	FIXED TAPERED HANGER +1 14" ASSM	
4,5,6B,7-11	641365S	FIXED TAPERED HANGER +1 15" ASSM	
4,5,6B,7-11	641366S	FIXED TAPERED HANGER +1 16" ASSM	
4,5,6B,7-11	641367S	FIXED TAPERED HANGER +1 17" ASSM	
4,5,6B,7-11	641368S	FIXED TAPERED HANGER +1 18" ASSM	
4,5,6B,7-11	641369S	FIXED TAPERED HANGER +1 19" ASSM	
4,5,6B,7-11	641370S	FIXED TAPERED HANGER +1 20" ASSM	
4,5,6B,7-11	641371S	FIXED TAPERED HANGER +1 22" ASSM	
4,5,6B,7-11	641372S	FIXED TAPERED HANGER +1 24" ASSM	
		Ship assembled part #	Use with multiple assemblies
	ASSY-HNG-FP	HANGER/FOOTPLATE ASSY REQUIRED	add with Hanger & Footplate kit



Pos.	Item Number	Description
1A	226286	5/16 -18 x 1 1/4 SOC C/S BLK
1B	222109	5/16 -18 x 1 1/4 BH C/S BLK ZN
2A	550003-QU	SEAT ANGLE CLAMP SHORT C.C
2B	550778	HANGER SUPPORT CLAMP +1" RECESS
2C	550791	HANGER SUPPORT CLAMP +2" RECESS
3A	550921	SEAT ANGLE CLAMP SHORT THRD C.C.
3B	550777	HANGER SUPPORT CLAMP +1" THRD
3C	550790	HANGER SUPPORT CLAMP +2" THRD
4	520901	FRAME HANGER INSERT P222
5	226061	1/4 -20 x 1 BH C/S W/ PATCH
6A	540083S	FRONT UPRIGHT WLDMNT RIGHT
6A	540084S	FRONT UPRIGHT WLDMNT LEFT
6B	540081S	FRONT UPRIGHT WLDMNT RT +1"
6B	540082S	FRONT UPRIGHT WLDMNT LT +1"
7	225112	1/4 -20 x 1 1/4 SS KNRLD CP W/ PATCH
8	226064	1/4 -28 x 3/4 BH C/S BLK W/ PATCH
9	882384	TAPERED HANGER SUPPORT 14" SUB ASSM

Pos.	Item Number	Description
9	882385	TAPERED HANGER SUPPORT 15" SUB ASSM
9	882386	TAPERED HANGER SUPPORT 16" SUB ASSM
9	882387	TAPERED HANGER SUPPORT 17" SUB ASSM
9	882388	TAPERED HANGER SUPPORT 18" SUB ASSM
9	882389	TAPERED HANGER SUPPORT 19" SUB ASSM
9	882390	TAPERED HANGER SUPPORT 20" SUB ASSM
9	882391	TAPERED HANGER SUPPORT 22" SUB ASSM
9	882392	TAPERED HANGER SUPPORT 24" SUB ASSM
10	204110	1/4 -28 NYLOCK NUT BLK ZN
11	106943	1/4 AN WASHER FLAT
12	226222	1/4 -28 x 1 1/2 BG HEX C/S BLK
1B,2,3	550800	HANGER SUPPORT CLAMP ASSM
1A,2B,3B	550801	HANGER SUPPORT CLAMP +1 ASSM
1A,2C,3C	550802	HANGER SUPPORT CLAMP +1 20 DP ASSM

To request assembly of parts being ordered as a kit, please add "ASSY-HNG-FP" after compatible Hanger & Footplate parts are selected

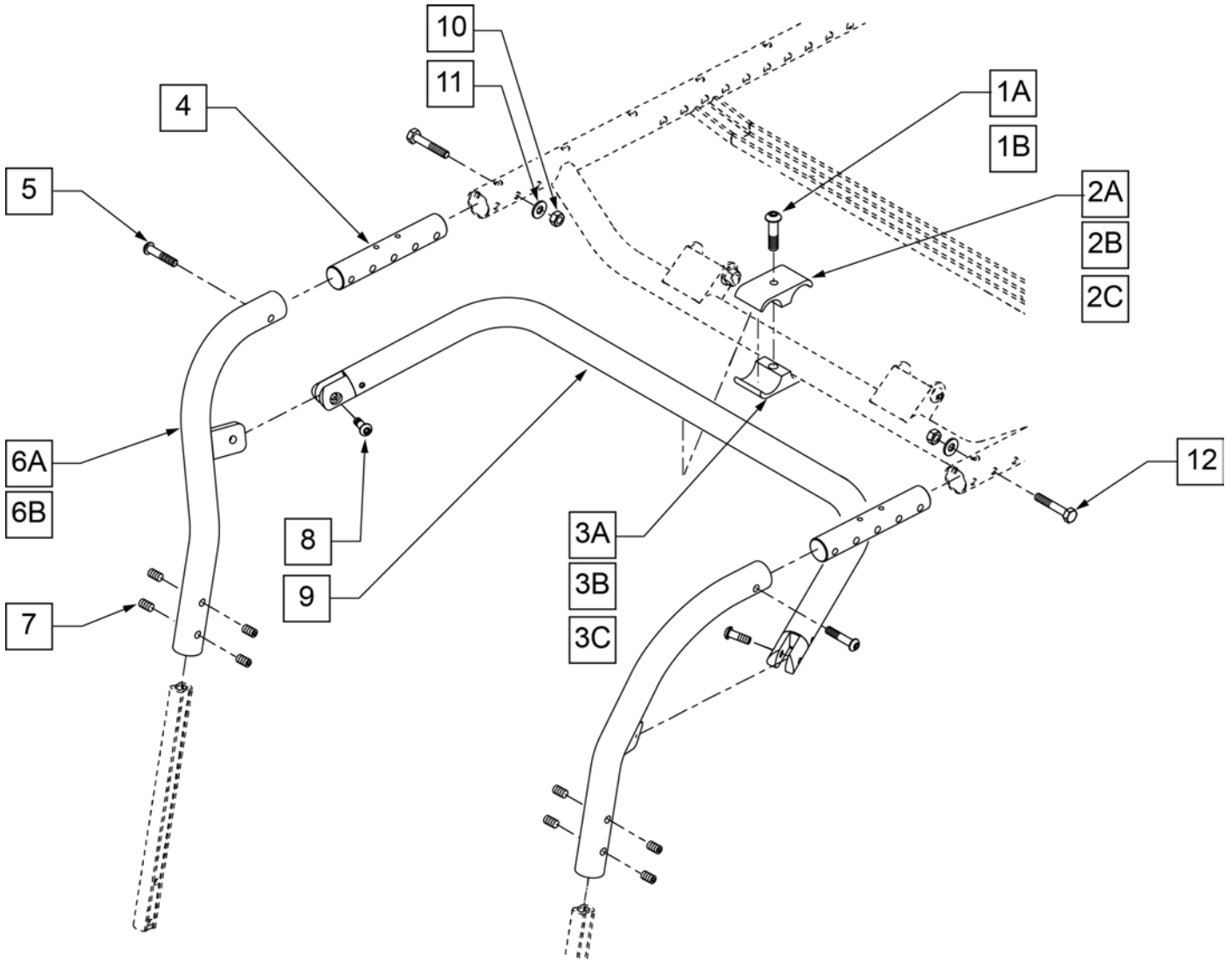


REFERENCE GUIDE

	STANDARD FRAME	LONG FRAME
8" CASTER	550800	550801
70° FIXED-STRAIGHT HANGER	540416, 540417	540418, 540419
9" CASTER	550801	550802
70° FIXED-STRAIGHT HANGER	540418, 540419	540418, 540419

Pos.	Item Number	Description	Remarks
1A	226286	5/16 -18 x 1 1/4 SOC C/S BLK	
1B	222109	5/16 -18 x 1 1/4 BH C/S BLK ZN	
2A	550003-QU	SEAT ANGLE CLAMP SHORT C.C	
2B	550778	HANGER SUPPORT CLAMP +1" RECESS	
2C	550791	HANGER SUPPORT CLAMP +2" RECESS	
3A	550921	SEAT ANGLE CLAMP SHORT THRD C.C.	
3B	550777	HANGER SUPPORT CLAMP +1" THRD	
3C	550790	HANGER SUPPORT CLAMP +2" THRD	
4	520901	FRAME HANGER INSERT P222	
5	226061	1/4 -20 x 1 BH C/S W/ PATCH	
6A	540416S	FRONT STRAIGHT WLDMNT RIGHT	
6A	540417S	FRONT STRAIGHT WLDMNT LEFT	
6B	540418S	FRONT STRAIGHT WLDMNT RT +1"	
6B	540419S	FRONT STRAIGHT WLDMNT LT +1"	
7	226064	1/4 -28 x 3/4 BH C/S BLK W/ PATCH	
8	882375	STRAIGHT HANGER SUPPORT 15" SUB ASSM	
8	882376	STRAIGHT HANGER SUPPORT 16" SUB ASSM	
8	882377	STRAIGHT HANGER SUPPORT 17" SUB ASSM	

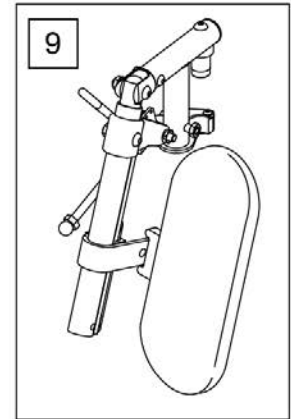
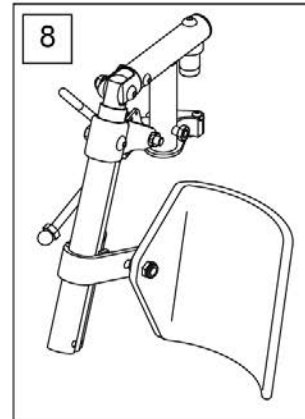
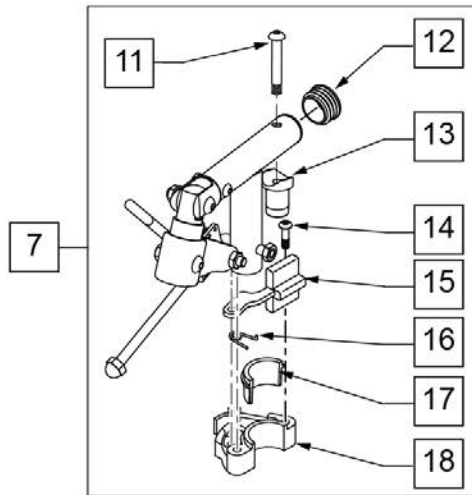
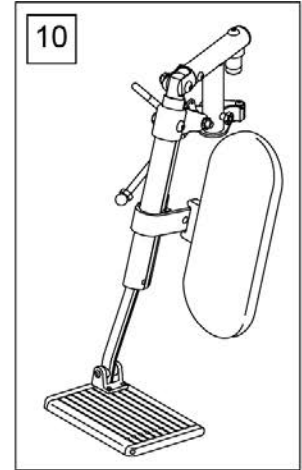
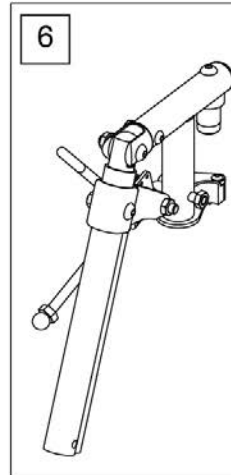
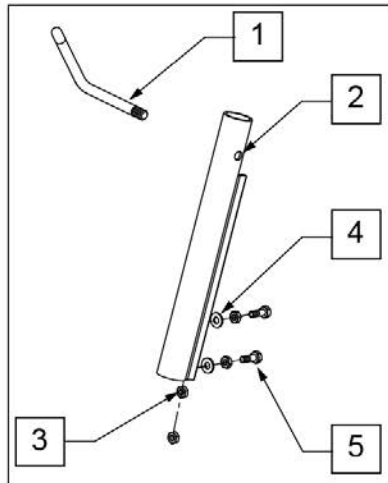
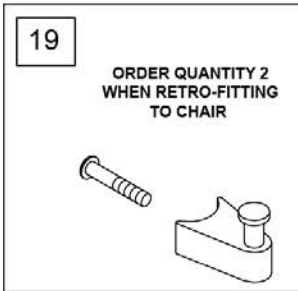
Pos.	Item Number	Description	Remarks
8	882378	STRAIGHT HANGER SUPPORT 18" SUB ASSM	
8	882379	STRAIGHT HANGER SUPPORT 19" SUB ASSM	
8	882380	STRAIGHT HANGER SUPPORT 20" SUB ASSM	
8	882381	STRAIGHT HANGER SUPPORT 22" SUB ASSM	
8	882382	STRAIGHT HANGER SUPPORT 24" SUB ASSM	
9	204110	1/4 -28 NYLOCK NUT BLK ZN	
10	106943	WASHER FLAT AN 1/4 ROHS	
11	226222	1/4 -28 x 1 1/2 BG HEX C/S BLK	
1B,2,3	550800	HANGER SUPPORT CLAMP ASSM	
1A,2B,3B	550801	HANGER SUPPORT CLAMP +1 ASSM	
1A,2C,3C	550802	HANGER SUPPORT CLAMP +1 20 DP ASSM	
4-11	641324S	FIXED STRAIGHT HANGER 14" ASSM	
4-11	641325S	FIXED STRAIGHT HANGER 15" ASSM	
4-11	641326S	FIXED STRAIGHT HANGER 16" ASSM	
4-11	641327S	FIXED STRAIGHT HANGER 17" ASSM	
4-11	641328S	FIXED STRAIGHT HANGER 18" ASSM	
4-11	641329S	FIXED STRAIGHT HANGER 19" ASSM	
4-11	641330S	FIXED STRAIGHT HANGER 20" ASSM	
4-11	641331S	FIXED STRAIGHT HANGER 22" ASSM	
4-11	641332S	FIXED STRAIGHT HANGER 24" ASSM	
4,5,6B,7-11	641334	FIXED STRAIGHT HANGER +1 14" ASSM	
4,5,6B,7-11	641335S	FIXED STRAIGHT HANGER +1 15" ASSM	
4,5,6B,7-11	641336S	FIXED STRAIGHT HANGER +1 16" ASSM	
4,5,6B,7-11	641337S	FIXED STRAIGHT HANGER +1 17" ASSM	
4,5,6B,7-11	641338S	FIXED STRAIGHT HANGER +1 18" ASSM	
4,5,6B,7-11	641339S	FIXED STRAIGHT HANGER +1 19" ASSM	
4,5,6B,7-11	641340S	FIXED STRAIGHT HANGER +1 20" ASSM	
4,5,6B,7-11	641341S	FIXED STRAIGHT HANGER +1 22" ASSM	
4,5,6B,7-11	641342S	FIXED STRAIGHT HANGER +1 24" ASSM	
		Ship assembled part #	Use with multiple assemblies
	ASSY-HNG-FP	HANGER/FOOTPLATE ASSY REQUIRED	add with Hanger & Footplate kit



Pos.	Item Number	Description
1A	226286	5/16 -18 x 1 1/4 SOC C/S BLK
1B	222109	5/16 -18 x 1 1/4 BH C/S BLK ZN
2A	550003-QU	SEAT ANGLE CLAMP SHORT C.C
2B	550778	HANGER SUPPORT CLAMP +1" RECESS
2C	550791	HANGER SUPPORT CLAMP +2" RECESS
3A	550921	SEAT ANGLE CLAMP SHORT THRD C.C.
3B	550777	HANGER SUPPORT CLAMP +1" THRD
3C	550790	HANGER SUPPORT CLAMP +2" THRD
4	520901	FRAME HANGER INSERT P222
5	226061	1/4 -20 x 1 BH C/S W/ PATCH
6A	540145S	FRONT STRAIGHT WLDMNT RIGHT
6A	540146S	FRONT STRAIGHT WLDMNT LEFT
6B	540147S	FRONT STRAIGHT WLDMNT RT +1"
6B	540148S	FRONT STRAIGHT WLDMNT LT +1"
7	225112	1/4 -20 x 1/4 SS KNRLD CP W/ PATCH
8	226064	1/4 -28 x 3/4 BH C/S BLK W/ PATCH
9	882375	STRAIGHT HANGER SUPPORT 15" SUB ASSM

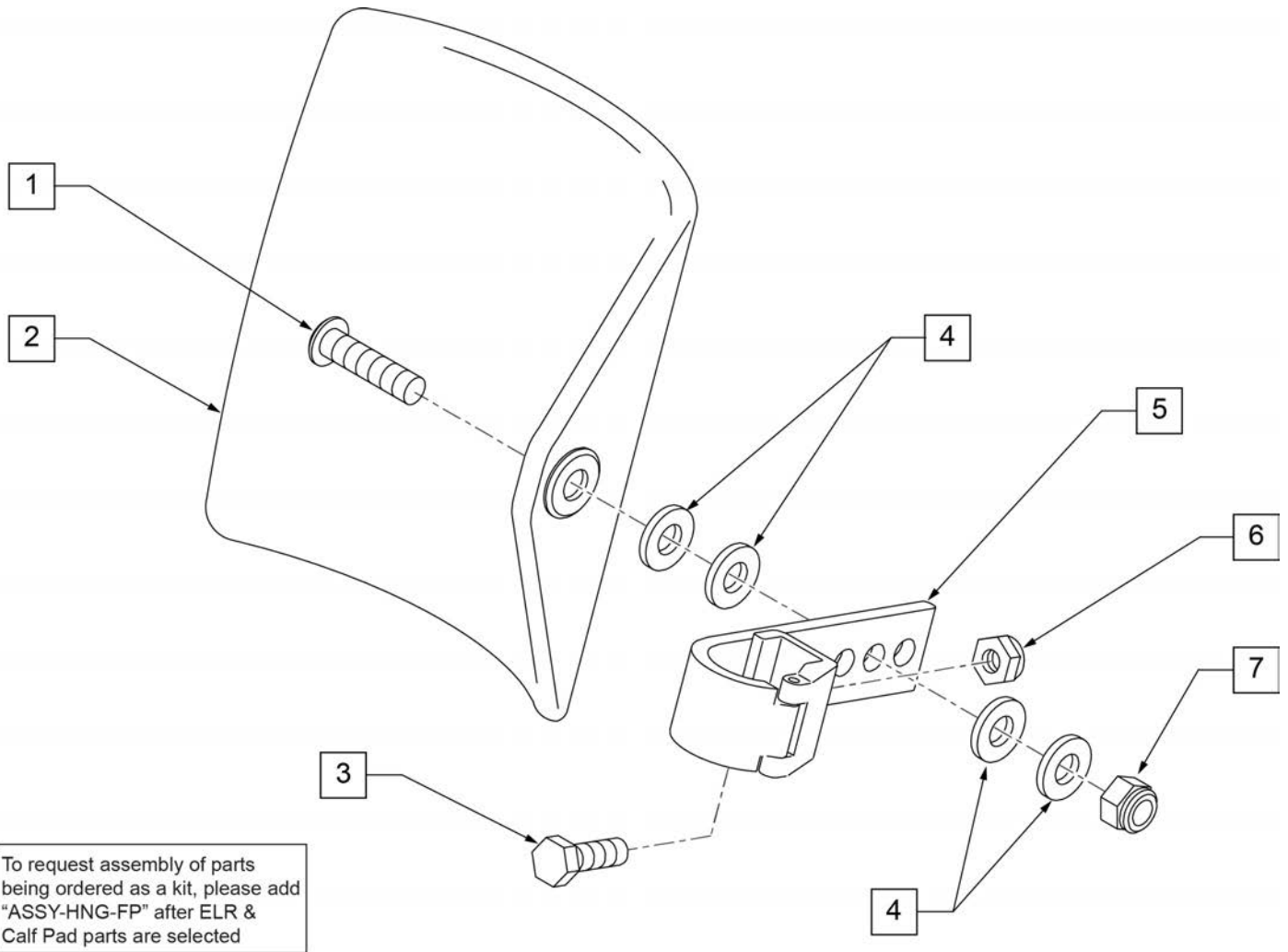
Pos.	Item Number	Description
9	882376	STRAIGHT HANGER SUPPORT 16" SUB ASSM
9	882377	STRAIGHT HANGER SUPPORT 17" SUB ASSM
9	882378	STRAIGHT HANGER SUPPORT 18" SUB ASSM
9	882379	STRAIGHT HANGER SUPPORT 19" SUB ASSM
9	882380	STRAIGHT HANGER SUPPORT 20" SUB ASSM
9	882381	STRAIGHT HANGER SUPPORT 22" SUB ASSM
9	882382	STRAIGHT HANGER SUPPORT 24" SUB ASSM
10	204110	1/4 -28 NYLOCK NUT BLK ZN
11	106943	WASHER FLAT AN 1/4 ROHS
12	226222	1/4 -28 x 1 1/2 BG HEX C/S BLK
1B,2,3	550800	HANGER SUPPORT CLAMP ASSM
1A,2B,3B	550801	HANGER SUPPORT CLAMP +1 ASSM
1A,2C,3C	550802	HANGER SUPPORT CLAMP +1 20 DP ASSM

To request assembly of parts being ordered as a kit, please add "ASSY-HNG-FP" after ELR & Calf Pad parts are selected

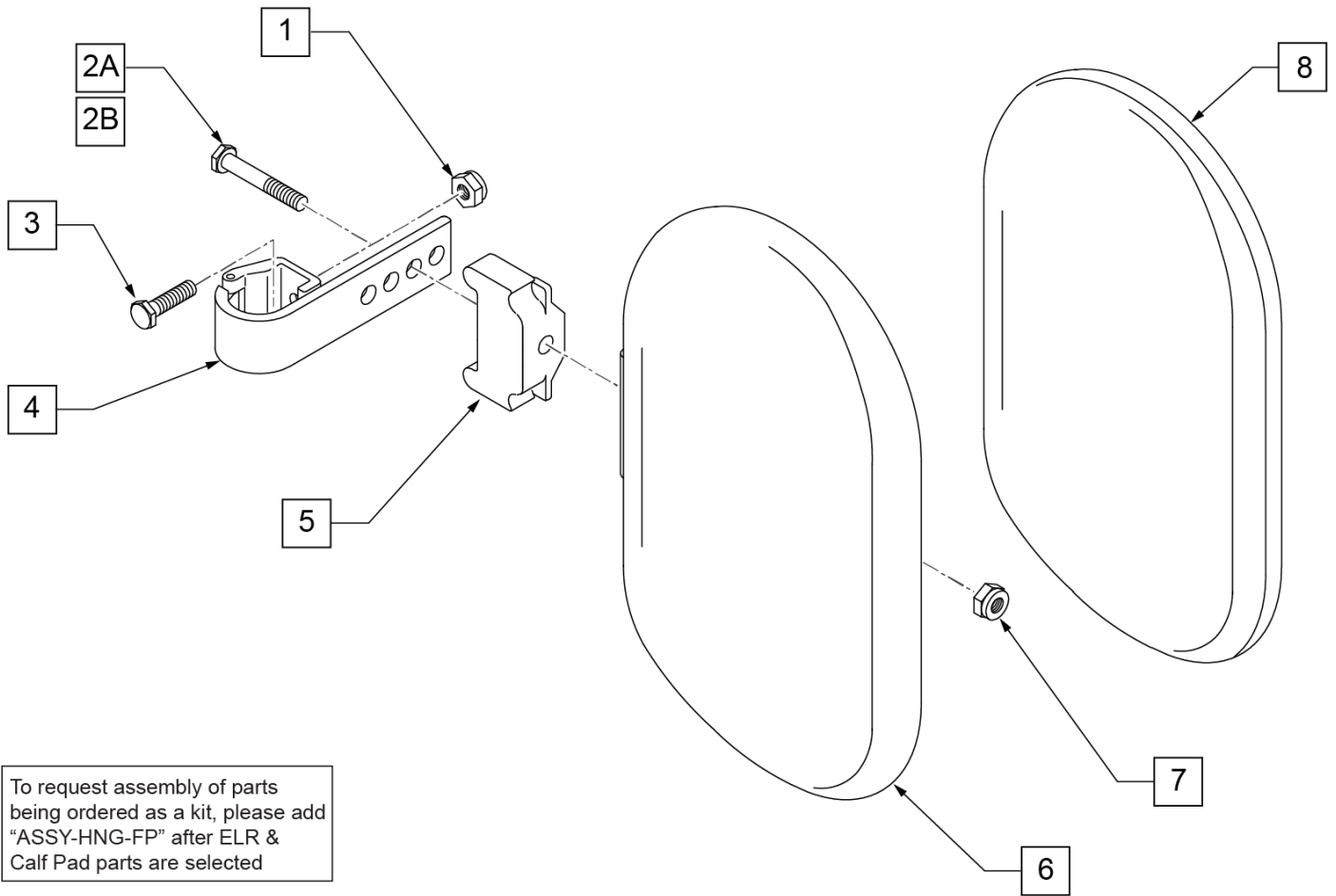


Pos.	Item Number	Description	Remarks
1	882409	ELR ACTUATION ARM ASSM S525	
2	550722S	ELR ADJUSTMENT TUBE	
3	201112	1/4-28 NUT THIN	
4	106944	1/4 AN WASHER FLAT THIN	
5	107014	1/4-28 x 3/4 HEX C/S	
6	641454S	ELR HNGR W/O PAD PNTD R PWR	
6	641455S	ELR HNGR W/O PAD PNTD L PWR	
7	882232	PWR ELR RIGHT W/O EXT TBE ASSM	
7	882231	PWR ELR LFT W/O EXT TBE ASSM	
8	923096S	ELR HNGR ASSM 14-15" W/PD G424	
9	923097S	ELR HNGR ASSM 16-17" W/PD G424	
9	923098S	ELR HNGR ASSM 18-24" W/PD G424	
10	923147S	ELR 16" MED EXT (PR)	ELR with Calf Pad, Extension Tube & Footplate
10	923148S	ELR 18-20 MED EXT (PR)	ELR with Calf Pad, Extension Tube & Footplate
11	226217	5/16 -18 X 2 BH C/S BLK	
12	561062	1" INSERT PLUG .065 RIBS	
13	561197	PLASTIC PIVOT SADDLE	
14	226057	10/24 x .725 BTTN HD SOC BZ	
15	561079	S/A LATCH LEVER	

Pos.	Item Number	Description	Remarks
16	321136	S/A SPRING L RED	LEFT
16	321137	S/A SPRING R CLR	RIGHT
17,18	881500	LATCH BLOCK ASSM R	RIGHT
17,18	881501	LATCH BLOCK ASSM L	LEFT
19	107491	LATCH STUD KIT	Order qty2 when retrofitting to chair
		Ship assembled part #	Use with multiple assemblies
	ASSY-HNG-FP	HANGER/FOOTPLATE ASSY REQUIRED	add with Hanger & Footplate kit



Pos.	Item Number	Description	Remarks
1	106980	BHCS 5/16-18 X 1-1/4 ROHS	
2	755014	CALF PAD TROUGH STYLE 14"/16"	
3	221097	1/4-28 X 5/8 HEX C/S BZ	
4	561016	1" WASHER 5/16" HOLE	
5	881413	CALF PAD BRACKET ASSEMBLY	
6	106934	NUT NYLOCK 1/4-28 ROHS	
7	106937	NUT NYLOCK THIN 5/16-18	
1-7	881414	CALF PAD J-HOOK 14"-15" ASSEMBLY	
		Ship assembled part #	Use with multiple assemblies
	ASSY-HNG-FP	HANGER/FOOTPLATE ASSY REQUIRED	add with Hanger & Footplate kit



To request assembly of parts being ordered as a kit, please add "ASSY-HNG-FP" after ELR & Calf Pad parts are selected

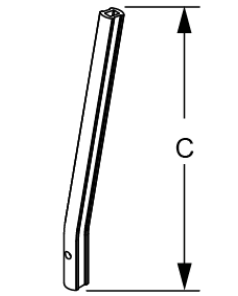
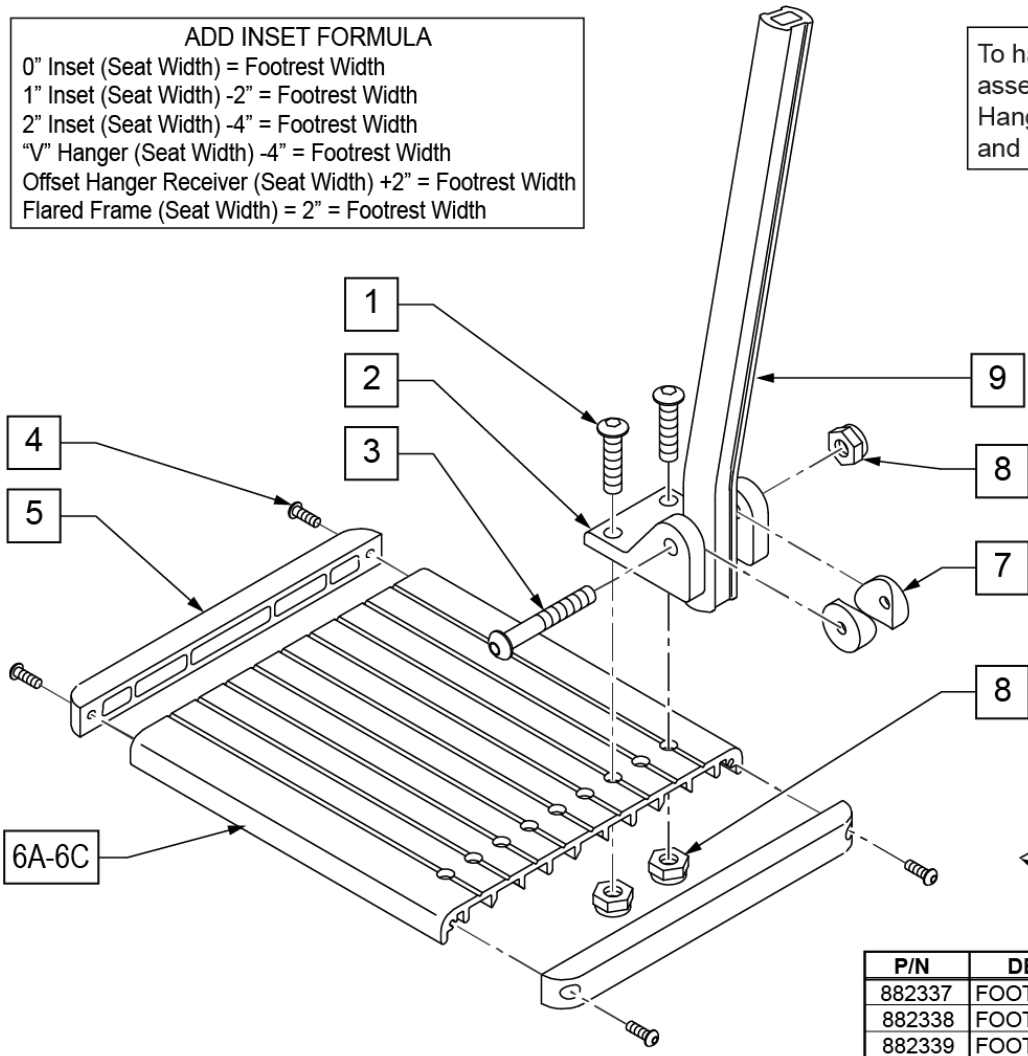
Pos.	Item Number	Description	Remarks
1	106934	NUT NYLOCK 1/4-28 ROHS	
2A	107018	HHCS 5/16-18 X 2-1/2 ROHS	16"-17" wide only
2B	107019	HHCS 5/16-18 X 3-1/2 ROHS	18"-20" wide only
3	107013	HHCS 1/4-28 X 5/8 ROHS	
4	881413	CALF PAD BRACKET ASSEMBLY	
5	560199	ELR CALF HINGE SPACER	18"-20" wide only
6	560108	CALF PAD MOLDED 16"-20"	
7	106936	NUT NYLOCK 5/16-18 ROHS	
8	751045	CALF PAD COVER	
1,2A,3,4,6-8	881416	CALF MOLDED 16"-17" ASSEMBLY	
1,2B,3-7,8	881412	CALF PAD MOLDED 18"-20" ASSEMBLY	
		Ship assembled part #	Use with multiple assemblies
	ASSY-HNG-FP	HANGER/FOOTPLATE ASSY REQUIRED	add with Hanger & Footplate kit

NOTE: Left Side Shown

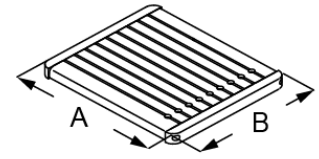
ADD INSET FORMULA
 0" Inset (Seat Width) = Footrest Width
 1" Inset (Seat Width) - 2" = Footrest Width
 2" Inset (Seat Width) - 4" = Footrest Width
 "V" Hanger (Seat Width) - 4" = Footrest Width
 Offset Hanger Receiver (Seat Width) + 2" = Footrest Width
 Flared Frame (Seat Width) = 2" = Footrest Width

To have complete Footrest ship assembled, choose compatible Hanger + Footplate part numbers and add "ASSY-HNG-FP" to order

MEASURING GUIDE



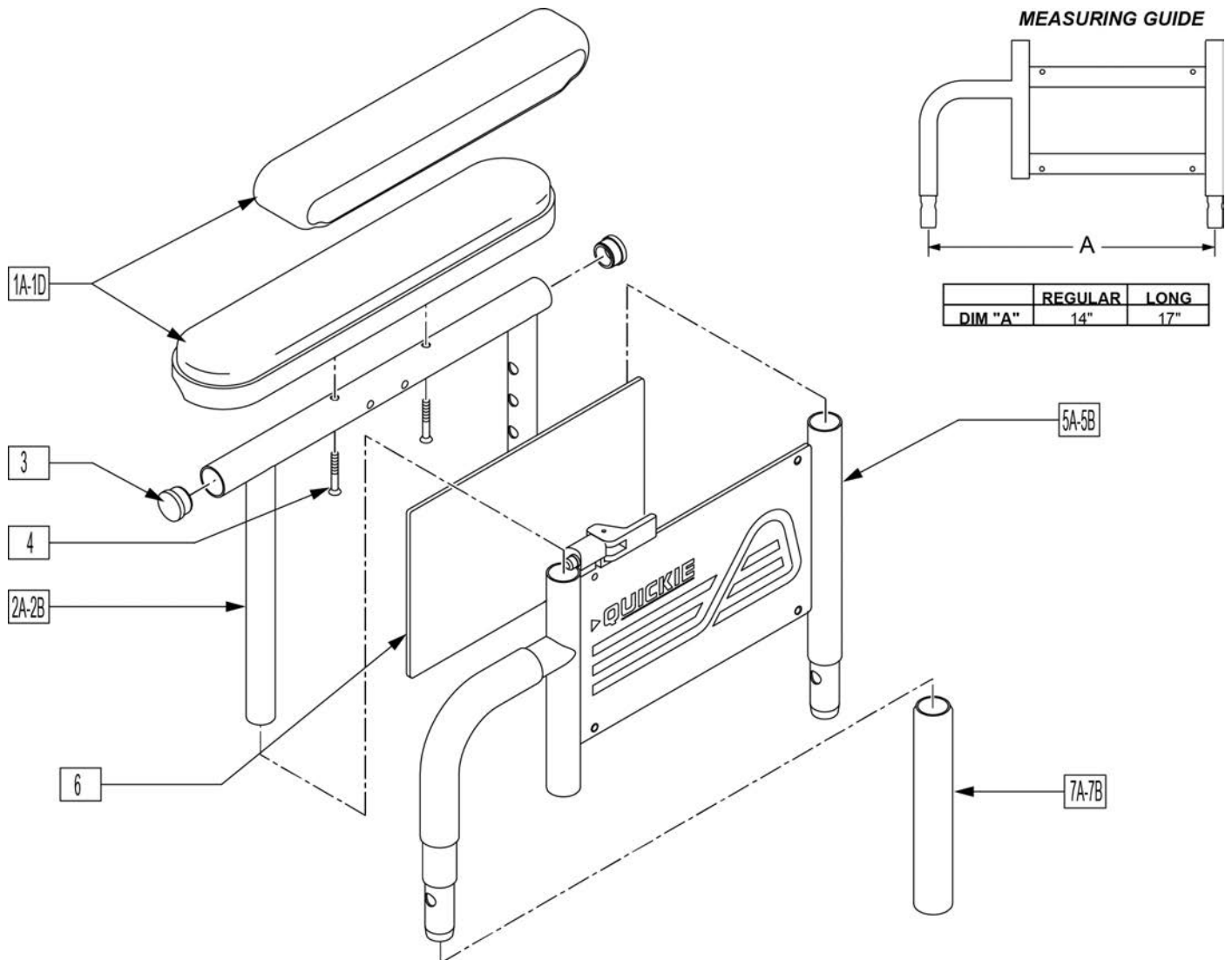
	"C"
SHORT	9 1/4"
MED	11 1/4"
LONG	13 1/4"



P/N	DESCRIPTION	"A"	"B"
882337	FOOTPLATE ELR 14-15"	6"	6"
882338	FOOTPLATE ELR 16-17"	7"	6"
882339	FOOTPLATE ELR 18-20"	8"	6"

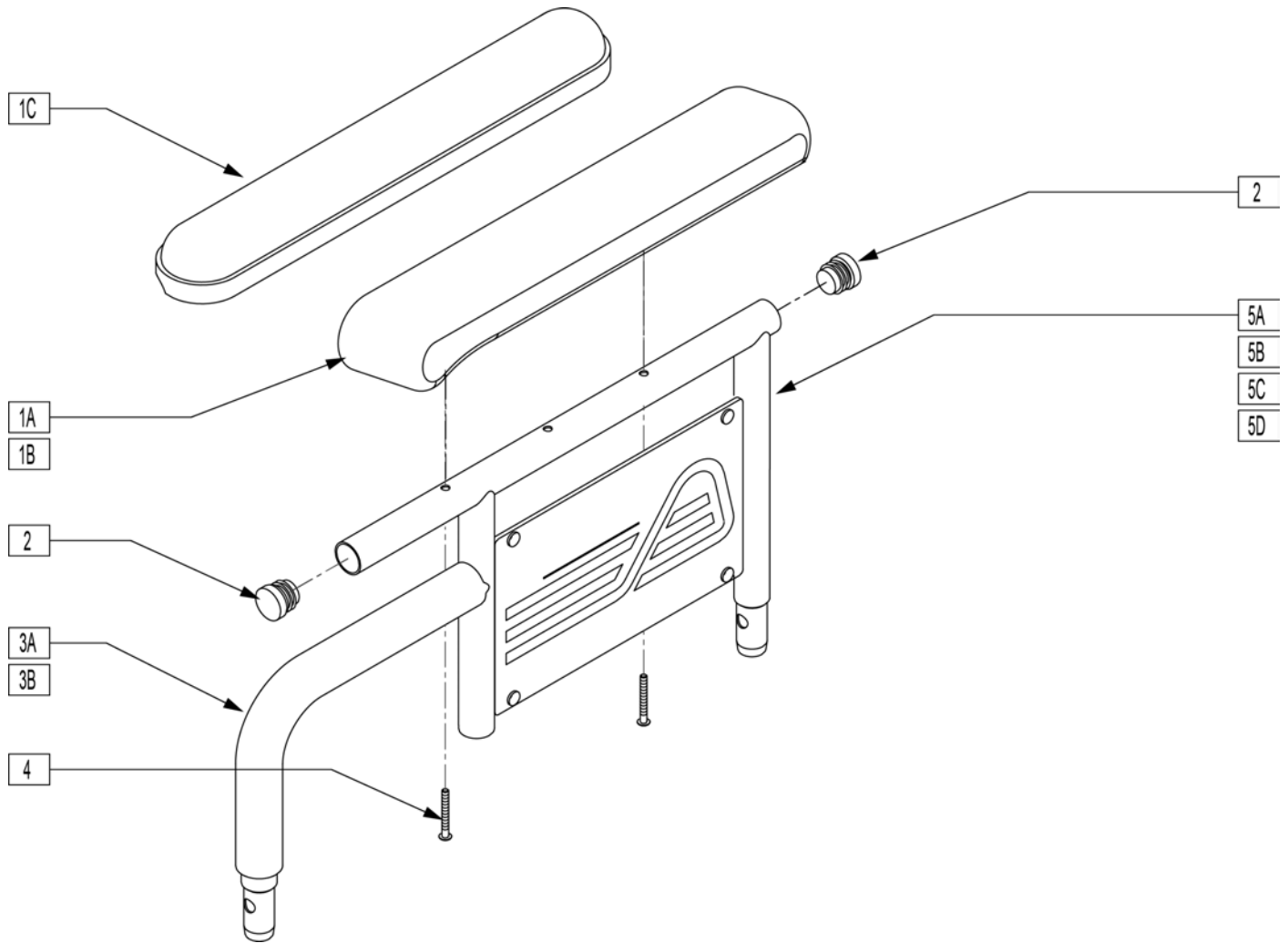
Pos.	Item Number	Description	Remarks
1	106959	1/4-28 x 5/8 BH C/S	
2	550739	FOOTPLATE MOUNTING BRACKET	
3	226147	1/4-28 x 1.85 BH C/S	
4	281043	#4 x 5/8 PAN PHIL S/TAP	
5	560101	END CAPS FOOTREST	
7	561003	3/4" SADDLE THIN	
8	106935	1/4-28 NYLOCK NUT THIN	
9	550764	S/A HANGER EXT D2 SHORT BLACK	
9	550765	S/A HANGER EXT D2 MED BLK	
9	550766	S/A HANGER EXT D2 LONG BLACK	
4,5,6A	882337	ELR FOOTPLATE ASSEMBLY 14 -15"	
4,5,6B	882338	ELR FOOTPLATE ASSEMBLY 16 -17"	
4,5,6C	882339	ELR FOOTPLATE ASSEMBLY 18 -20"	
1-5,6A-8	921400S	ELR FOOTPLATE KIT 14 -15"	Does not include Extension
1-5,6B-8	921401S	ELR FOOTPLATE KIT 16 -17"	Does not include Extension
1-5,6C-8	921402S	ELR FOOTPLATE KIT 18 -20"	Does not include Extension
		Ship assembled part #	Use with multiple assemblies
	ASSY-HNG-FP	HANGER/FOOTPLATE ASSY REQUIRED	add with Hanger & Footplate kit

Note: for Quickie M6 if retrofitting armrests to a chair where they were originally omitted, order one each of 881256 & 881257 front receivers. The rear receivers are already on the chair.



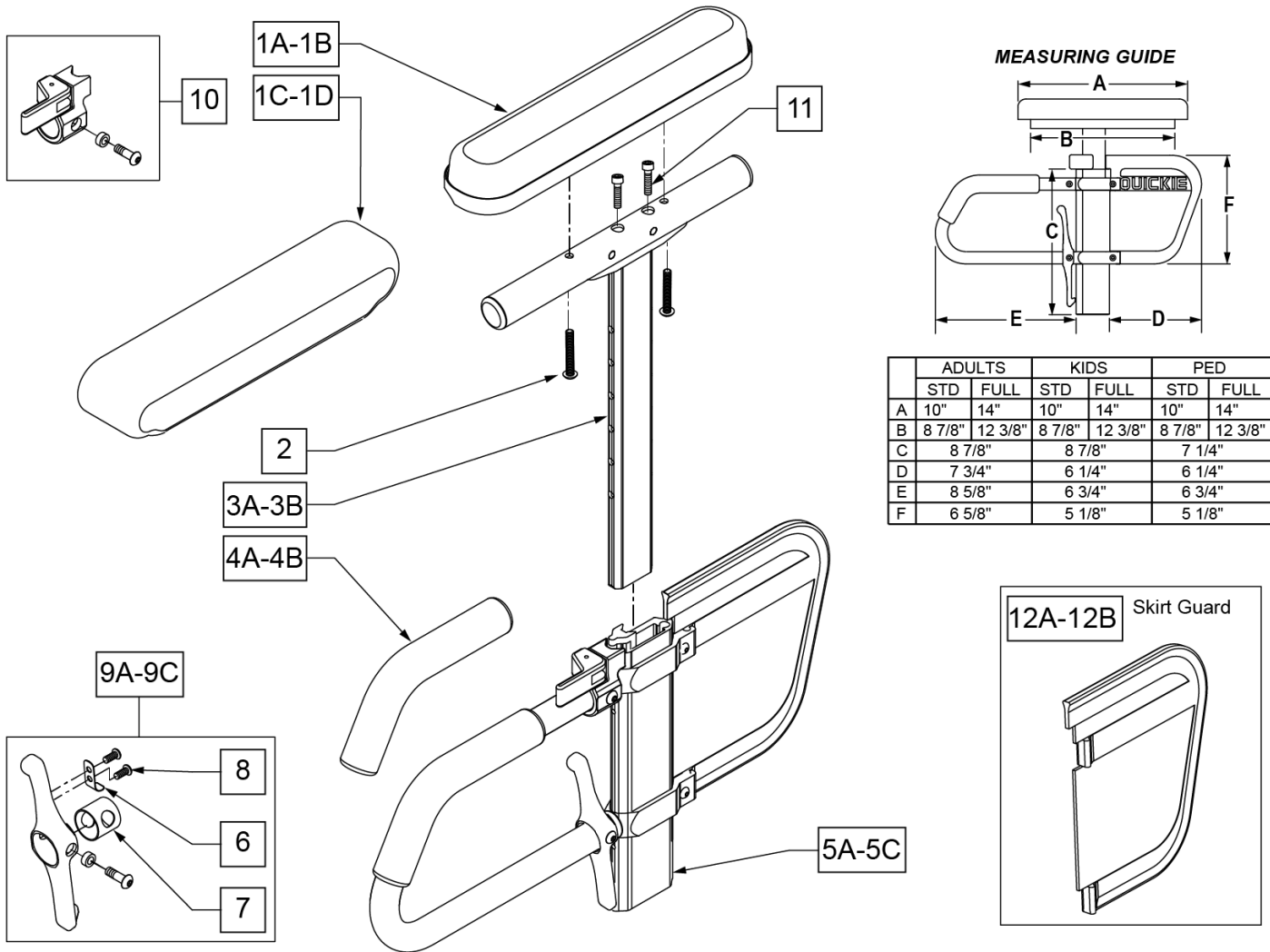
Pos.	Item Number	Description	Remarks
1A	561280	ARMREST PAD 10" LEFT W/F	Left,Desk,Waterfall
1A	561281	ARMREST PAD 10" RIGHT W/F	Right,Desk,Waterfall
1B	561284	ARMREST PAD 14" LEFT W/F	Left,Full,Waterfall
1B	561285	ARMREST PAD 14" RIGHT W/F	Right,Full,Waterfall
1C	561024	ARMREST PAD 10" DESK	Desk Pad
1D	561031	ARMREST PAD 14" FULL	Full Pad
2A	521841	DUAL PST ADJ UPPR ARM DESK PW	Desk
2B	521843	DUAL PST ADJ UPPR ARM FULL PW	Full
3	560735	7/8" ROUND TUBE PLUG	
4	226038	10-32 x 1 3/8 BH C/S BLK	
5A	881556	ARM ASSM LOWER HT ADJ REG R	Right, Regular
5A	881557	ARM ASSM LOWER HT ADJ REG L	Left, Regular

Pos.	Item Number	Description	Remarks
5B	881558	DUAL POST ADJ LOWER ARM LONG R	Right, Long
5B	881559	DUAL POST ADJ LOWER ARM LONG L	Left, Long
6	750009	INSIDE ARMREST PAD (P-222/S-626)	
7A	560514	FOAM 8" x .840 TUBE	Regular
7B	560614	11" x .840 FOAM TUBE	Long
1C,2A,3,4	881446	DUALPOST UHA AREST RH INC DESK	
1C,2A,3,4	881447	DUALPOST UHA AREST LH INC DESK	
1D,2A,3,4	881448	DUALPOST UHA AREST RH INC FULL	
1D,2A,3,4	881449	DUALPOST UHA AREST LH INC FULL	
1A,2A,3,4	881240	D-POST UPPR L ARM ASSM DSK W/F	
1A,2A,3,4	881241	D-POST UPPR R ARM ASSM DSK W/F	
1B,2B,3,4	881242	D-POST UPPR L ARM ASSM FL W/F	
1B,2B,3,4	881243	D-POST UPPR R ARM ASSM FL W/F	
1A,2A,3,4,5A,6	881308	D-POST SHT L W/DSK W/F PAD	
1A,2A,3,4,5A,6	881309	D-POST SHT R W/DSK W/F PAD	
1B,2B,3,4,5A,6	881310	D-POST SHT L W/FL W/F PAD	
1B,2B,3,4,5A,6	881311	D-POST SHT R W/FL W/F PAD	
1A,2A,3,4,5B,6	881312	D-PST LNG ADJ L W/DSK W/F PAD	
1A,2A,3,4,5B,6	881313	D-PST LNG ADJ R W/DSK W/F PAD	
1B,2B,3,4,5B,6	881314	D-POST LNG ADJ L W/FL W/F PAD	
1B,2B,3,4,5B,6	881315	D-POST LNG ADJ R W/FL W/F PAD	
1C,2A,3,4,5A,6	881572	DUAL POST ADJ SHT W/DSK R PWR	
1C,2A,3,4,5A,6	881573	DUAL POST ADJ SHT W/DSK L PWR	
1D,2B,3,4,5B,6	881574	DUAL POST ADJ LONG W/FL R PWR	
1D,2B,3,4,5B,6	881575	DUAL POST ADJ LONG W/FL L PWR	
1C,2A,3,4,5B,6	881576	DUAL POST ADJ LONG W/DSK R PWR	
1C,2A,3,4,5B,6	881577	DUAL POST ADJ LONG W/DSK L PWR	
1D,2B,3,4,5A,6	881578	DUAL POST ADJ SHT W/FL R PWR	
1D,2B,3,4,5A,6	881579	DUAL POST ADJ SHT W/FL L PWR	



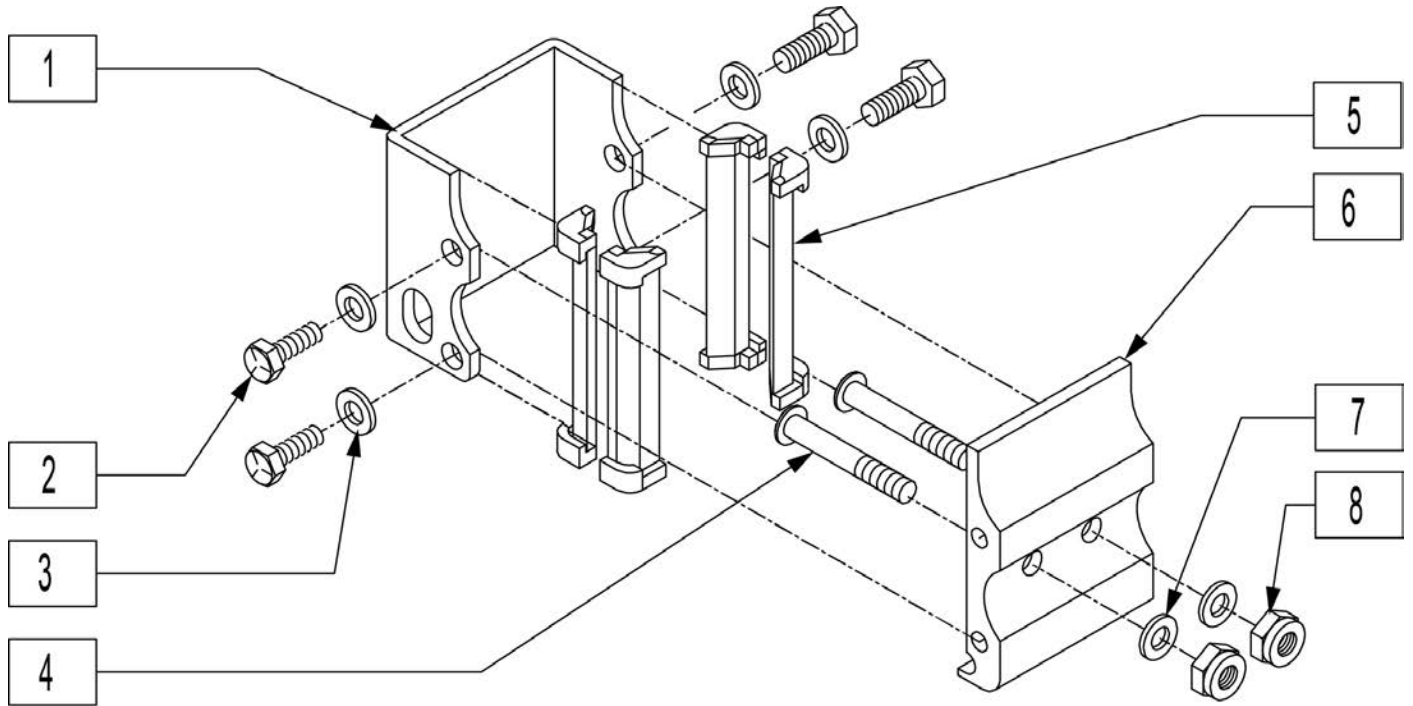
Pos.	Item Number	Description	Remarks
1A	561280	ARMREST PAD 10" LEFT W/F	
1A	561281	ARMREST PAD 10" RIGHT W/F	
1B	561284	ARMREST PAD 14" LEFT W/F	
1B	561285	ARMREST PAD 14" RIGHT W/F	
1C	561024	ARMREST PAD 10" DESK	
1D	561031	ARMREST PAD 14" FULL	
2	560735	7/8" ROUND TUBE PLUG	
3A	560514	FOAM 8" x .840 TUBE	
3B	560614	11" x .840 FOAM TUBE	
4	226038	10-32 x 1 3/8 BH C/S BLK	
6	240155	RIVET 3/16 x 3/8 TUBULAR ALUM	Requires Rivet installation Tool
7	562744	ARMREST FRAME PANEL FIXED R	Right
7	562745	ARMREST FRAME PANEL FIXED L	Left
1A,2-4,5A,6,7	881730	D-POST ARM SHT R W/DSK W/F PAD	Right
1A,2-4,5A,6,7	881731	D-POST ARM SHT L W/DSK W/F PAD	Left
1B,2-4,5B,6,7	881732	D-POST ARM SHT R W/FL W/F PAD	Right
1B,2-4,5B,6,7	881733	D-POST ARM SHT L W/FL W/F PAD	Left
1A,2,3A,4,5C,6,7	881734	D-POST ARM LNG R W/DSK W/F PAD	Right
1A,2,3A,4,5C,6,7	881735	D-POST ARM LNG L W/DSK W/F PAD	Left

Pos.	Item Number	Description	Remarks
1B,2-4,5D,6,7	881736	D-POST ARM LNG R W/FL W/F PAD	Right
1B,2-4,5D,6,7	881737	D-POST ARM LNG L W/FL W/F PAD	Left
1C,2-4,5A,6,7	881580	DUAL POST ARM SHT W/DSK R PWR	Right
1C,2-4,5A,6,7	881581	DUAL POST ARM SHT W/DSK L PWR	Left
1D,2-4,5B,6,7	881582	DUAL POST ARM SHT W/FL R PWR	Right
1D,2-4,5B,6,7	881583	DUAL POST ARM SHT W/FL L PWR	Left
1C,2-4,5C,6,7	881584	DUAL POST ARM LNG W/DSK R PWR	Right
1C,2-4,5C,6,7	881585	DUAL POST ARM LNG W/DSK L PWR	Left
1D,2-4,5D,6,7	881586	DUAL POST ARM LNG W/FL R PWR	Right
1D,2-4,5D,6,7	881587	DUAL POST ARM LNG W/FL L PWR	Left



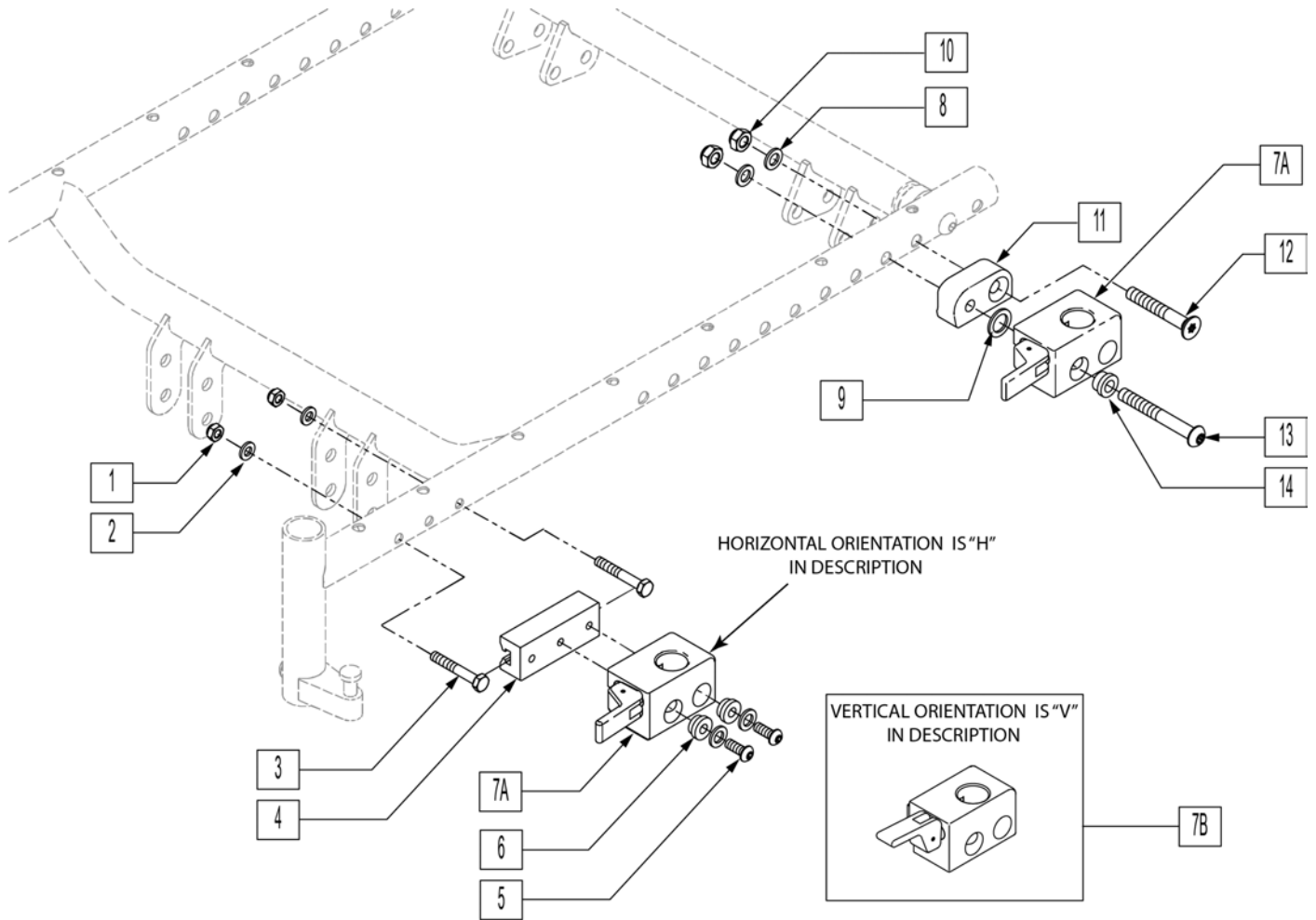
Pos.	Item Number	Description	Remarks
1A	561024	ARMREST PAD 10" DESK	DESK PAD
1B	561031	ARMREST PAD 14" FULL	FULL PAD
1C	561280	ARMREST PAD 10" L W/F	LEFT - DESK WATERFALL PAD
1C	561281	ARMREST PAD 10" R W/F	RIGHT - DESK WATERFALL PAD
1D	561284	ARMREST PAD 14" L W/F	LEFT - FULL WATERFALL PAD
1D	561285	ARMREST PAD 14" R W/F	RIGHT - FULL WATERFALL PAD
2	226038	10-32 x 1 3/8 BH C/S BLK	
4A	560610	5" x .705 x .125 FOAM TUBE	ADULT
4B	560627	7-1/2" x .705 x .125 FOAM TUBE	PEDS/KIDS
5A	882084	HT ADJ LOWER DC ARM ASSM STD R	RIGHT - STANDARD/ADULT
5A	882085	HT ADJ LOWER DC ARM ASSM STD L	LEFT - STANDARD/ADULT
5B	882082	HT ADJ LOWER DC ARM ASM KIDS R	RIGHT - KIDS
5B	882083	HT ADJ LOWER DC ARM ASM KIDS L	LEFT - KIDS
5C	882080	HT ADJ LOWER ARM ASSM PE D R	RIGHT - PEDIATRIC
5C	882081	HT ADJ LOWER ARM ASSM PE D L	LEFT - PEDIATRIC
6	321721	LEVER RETURN SPRING	
7	562825	RELEASE LEVER INNER SLEEVE	
8	281045	#6 x 1/4 PAN PHIL S/M/S	
9A	888000	HT ADJ REC REL LEVER ASSM STD	ADULT

Pos.	Item Number	Description	Remarks
9B	888001	HT ADJ REC REL LEVER ASSM KIDS	KIDS
9C	888002	HT ADJ REC REL LEVER ASSM PEDS	PEDS
10	888003	HT ADJ UPPER ARM REL ASSM R	RIGHT
10	888004	HT ADJ UPPER ARM REL ASSM L	LEFT
11	108534	SHCS 10-32 X 1-1/4 PL	Used with Classic Full only
12A	561140	HT ADJ SKIRT GUARD STD	Standard
12B	561141	HT ADJ SKIRT GUARD KDS	Kids
>>>>		ADULT UPPER ASSEMBLIES	
1A-3A	880192	HT ADJ UPPER ARM ASSM DESK R	RIGHT - ADULT DESK PAD
1A-3A	880198	HT ADJ UPPER ARM ASSM DESK L	LEFT - ADULT DESK PAD
1B-3A,11	880193	HT ADJ UPPER ARM ASSM FL R	RIGHT - ADULT FULL PAD
1B-3A,11	880199	HT ADJ UPPER ARM ASSM FL L	LEFT - ADULT FULL PAD
>>>>		ADULT UPPER ASSEMBLIES	
1C-3A	881231	HT ADJ UPPER R ARM ASSM DESK W/F	RIGHT - ADULT DESK WATER FALL PAD
1C-3A	881230	HT ADJ UPPER L ARM ASSM DESK W/F	LEFT - ADULT DESK WATER FALL PAD
1D-3A	881233	HT ADJ UPPER R ARM ASSM FL W/F	RIGHT - ADULT FULL WATER FALL PAD
1D-3A	881232	HT ADJ UPPER L ARM ASSM FL W/F	LEFT - ADULT FULL WATER FALL PAD
>>>>		PEDIATRIC AND KIDS UPPER ASSEMBLIES	
1A-3B	880174	HT ADJ UPPER ARM PED PWR DESK R	RIGHT - PED/KIDS DESK PAD
1A-3B	880175	HT ADJ UPPER ARM PED PWR DESK L	LEFT - PED/KIDS DESK PAD
1B-3B,11	880176	HT ADJ UPPER ARM PED PWR FULL R	RIGHT - PED/KIDS FULL PAD
1B-3B,11	880177	HT ADJ UPPER ARM PED PWR FULL L	LEFT - PED/KIDS FULL PAD
>>>>		PEDIATRIC AND KIDS UPPER ASSEMBLIES	
1C-3B	888341	HT ADJ PED UPPER R ARM ASSM D WF	RIGHT - PED/KIDS DESK WATER FALL PAD
1C-3B	888342	HT ADJ PED UPPER L ARM ASSM D WF	LEFT - PED/KIDS DESK WATER FALL PAD
1D-3B	888343	HT ADJ PED UPPER R ARM ASSM F WF	RIGHT - PED/KIDS FULL WATER FALL PAD
1D-3B	888344	HT ADJ PED UPPER L ARM ASSM F WF	LEFT - PED/KIDS FULL WATER FALL PAD
>>>>		COMPLETE ADULT ARMREST ASSEMBLY	
1A-3A-5A	880210	HT ADJ STD R W/DESK ARM PAD	RIGHT - ADULT - DESK PAD
1A-3A-5A	880211	HT ADJ STD L W/DESK ARM PAD	LEFT - ADULT - DESK PAD
1B-3A-5A,11	880212	HT ADJ STD R W/FULL ARM PAD	RIGHT - ADULT - FULL PAD
1B-3A-5A,11	880213	HT ADJ STD L W/FULL ARM PAD	LEFT - ADULT - FULL PAD
1C-3A-5A	881301	HT ADJ STD R W/DESK W/F PAD	RIGHT - ADULT - WATERFALL DESK PAD
1C-3A-5A	881300	HT ADJ STD L W/DESK W/F PAD	LEFT - ADULT - WATERFALL DESK PAD
1D-3A-5A	881305	HT ADJ STD R W/FULL W/F PAD	RIGHT - ADULT - WATERFALL FULL PAD
1D-3A-5A	881304	HT ADJ STD L W/FULL W/F PAD	LEFT - ADULT - WATERFALL FULL PAD
>>>>		COMPLETE KIDS ARMREST ASSEMBLY	
1A-3B-5B	880214	HT ADJ KIDS R W/DESK ARM PAD	RIGHT - KIDS - DESK PAD
1A-3B-5B	880215	HT ADJ KIDS L W/DESK ARM PAD	LEFT - KIDS - DESK PAD
1B-3B-5B,11	880216	HT ADJ KIDS R W/FULL ARM PAD	RIGHT - KIDS - FULL PAD
1B-3B-5B,11	880217	HT ADJ KIDS L W/FULL ARM PAD	LEFT - KIDS - FULL PAD
1C-3B-5B	881303	HT ADJ KIDS R W/DESK W/F PAD	RIGHT - KIDS - WATERFALL DESK PAD
1C-3B-5B	881302	HT ADJ KIDS L W/DESK W/F PAD	LEFT - KIDS - WATERFALL DESK PAD
1D-3B-5B	881307	HT ADJ KIDS R W/FULL W/F PAD	RIGHT - KIDS - WATERFALL FULL PAD
1D-3B-5B	881306	HT ADJ KIDS L W/FULL W/F PAD	LEFT - KIDS - WATERFALL FULL PAD
>>>>		COMPLETE PEDIATRIC ARMREST ASSEMBLY	
1A-3B-5C	880226	HT ADJ PED R W/DESK ARM PAD	RIGHT - PEDS - DESK PAD
1A-3B-5C	880227	HT ADJ PED L W/DESK ARM PAD	LEFT - PEDS - DESK PAD
1B-3B-5C,11	880228	HT ADJ PED R W/FULL ARM PAD	RIGHT - PEDS - FULL PAD
1B-3B-5C,11	880229	HT ADJ PED L W/FULL ARM PAD	LEFT - PEDS - FULL PAD
1C-3B-5C	888345	HT ADJ PED R W/DESK W/F PAD	RIGHT - PEDS - WATERFALL DESK PAD
1C-3B-5C	888346	HT ADJ PED L W/DESK W/F PAD	LEFT - PEDS - WATERFALL DESK PAD
1D-3B-5C	888347	HT ADJ PED R W/FULL W/F PAD	RIGHT - PEDS - WATERFALL FULL PAD
1D-3B-5C	888348	HT ADJ PED L W/FULL W/F PAD	LEFT - PEDS - WATERFALL FULL PAD



Pos.	Item Number	Description
1	550485	HT ADJ REC CHANNEL
2	221096	1/4-28 x 5/8 HEX C/S
3	106943	1/4 AN WASHER FLAT
4	226218	5/16-18 x 1 3/4" BH C/S BLK
5	561134	HT ADJ RECEIVER LINER
6	550497	HT ADJ REC STD S525 SEAT
7	263100	5/16 AN WASHER FLAT
8	202116	5/16-18 NYLOCK NUT THIN BLK
1-8	880239	HT ADJ REC W/HDWR STD S525

Note: if replacing on P220 chairs prior to S/N P02-027090 or P222SE chairs prior to S/N P2x-017975, assembly numbers with mounting hardware must be purchased.

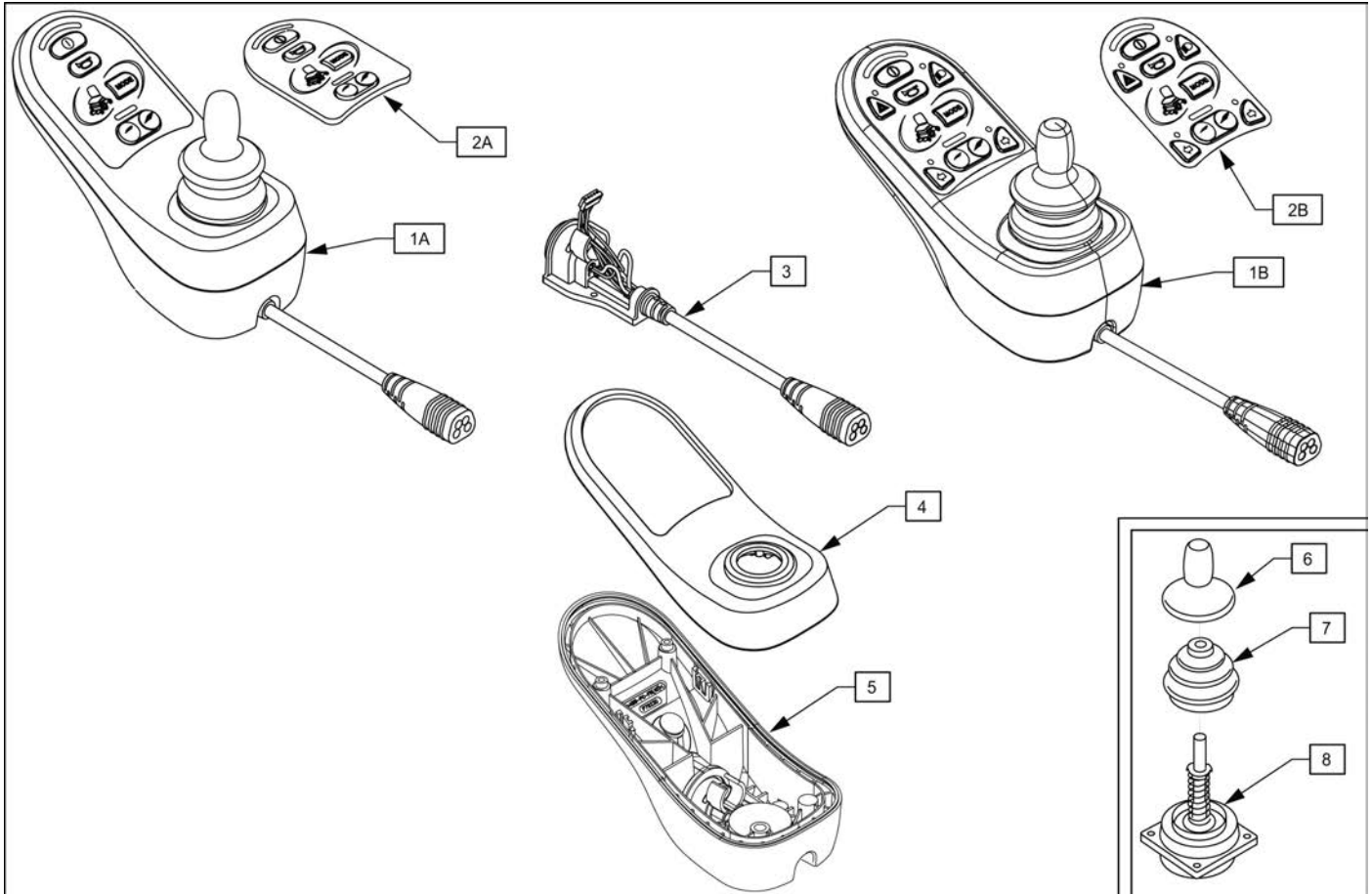


Pos.	Item Number	Description	Remarks
1	106934	1/4-28 NYLOCK NUT	
2	106943	1/4 AN WASHER FLAT	
3	226222	1/4-28 X 1 1/2" G8 HEX C/S BLK	
4	506127	ADPTR FR UNI ARST RCR 1.13 OFF	
5	226100	1/4-28 X 3/4 BH C/S	
6	340143	BUSHING .257IDx.25LG SST	
7A	506366	UNIVRSL ARMNST RCVR ASSM RH	
7A	506367	UNIVRSL ARMNST RCVR ASSM LH	
7B	506368	UNIV ARMREST RCVR ASSM RV	Optional release position, not offered on chair
7B	506369	UNIV ARMREST RCVR ASSM LV	Optional release position, not offered on chair
8	263100	5/16 AN WASHER FLAT	
9	561273	1/2 X 3/4 X .060 NYLON WASHER	
10	202117	5/16-18 NYLOCK NUT THICK BLK	
11	506128	ADPTR PVT R UNI ARST RCVR P222	Right
11	506129	ADPTR PVT L UNI ARST RCVR P222	Left
12	222193	5/16-18 X 2 1/4 FH SOC CS BLK	

Pos.	Item Number	Description	Remarks
13	226208	5/16-18 X 2-3/4 BH C/S G8 BLK	
14	340142	BUSHING .325IDx.346LG SST	
1-7A	506364	UNI DP ARM RCVR ASSM RFH PWR	Right
1-7A	506365	UNI DP ARM RCVR ASSM LFH PWR	Left
1-7B	506400	UNI DP ARM RCVR ASSM RFV PWR	Right-Optional release position, not offered on chair
1-7B	506401	UNI DP ARM RCVR ASSM LFV PWR	Left-Optional release position, not offered on chair
7A-14	506360	UNI DP ARM RCVR ASSM RRH PWR	Right
7A-14	506361	UNI DP ARM RCVR ASSM LRH PWR	Left
7B-14	506362	UNI DP ARM RCVR ASSM RRV PWR	Right-Optional release position, not offered on chair
7B-14	506363	UNI DP ARM RCVR ASSM LRV PWR	Left-Optional release position, not offered on chair

NOTE: JOYSTICK POST (ITEM 8) ACCEPTS JOYSTICK KNOBS THAT HAVE A 1/4" DIAMETER MATING HOLE.

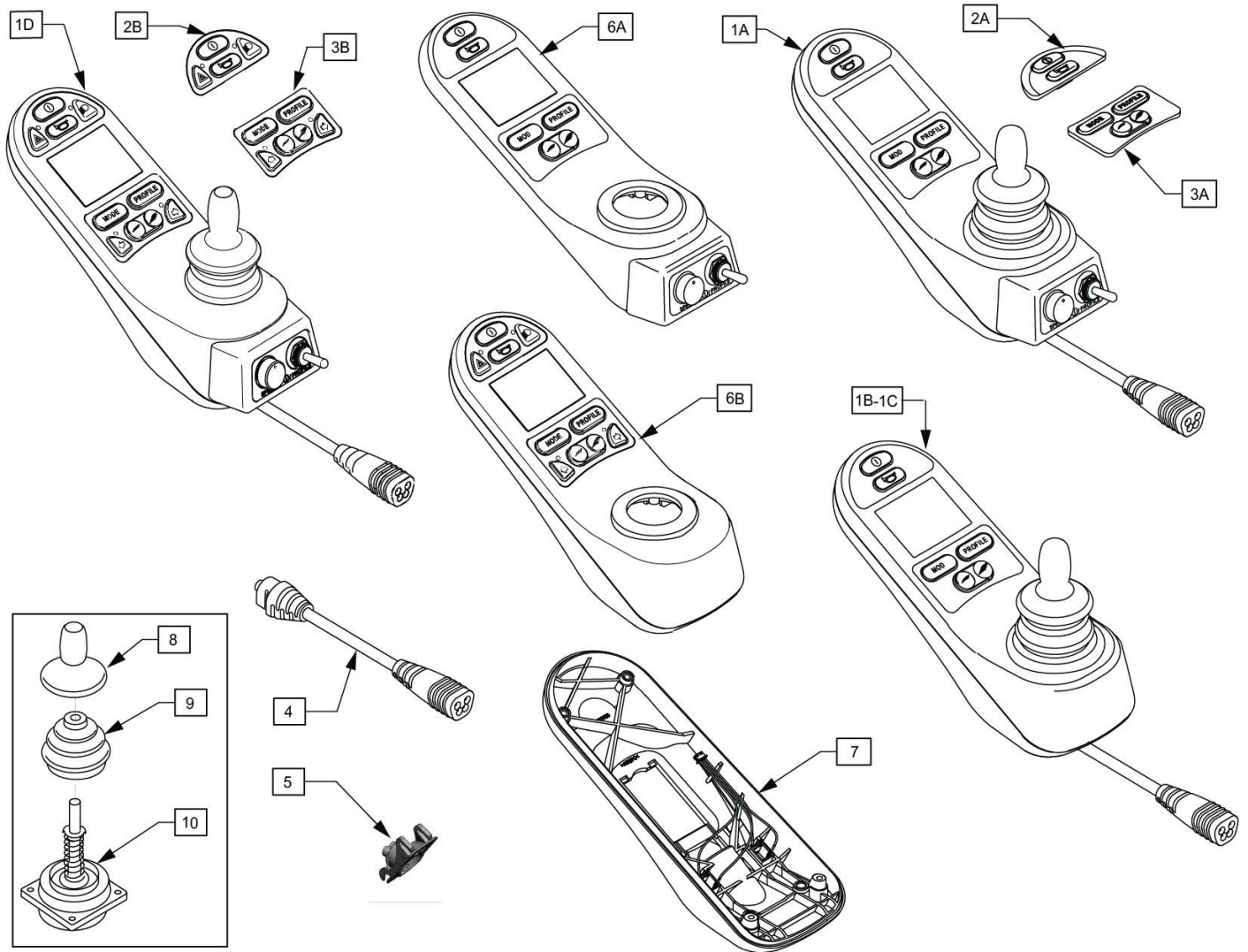
Note: please see attachment in informations panel for additional joystick component information and to determine appropriate replacement parts.



Pos.	Item Number	Description	Remarks
1A	108207	JOYSTICK LED JSM	LED
1B	108206	JOYSTICK LED JSM LGHT	LED- used w/ lights
2A	109749	KEYPAD RNET JSM LED	LED
2B	122190	KEYPAD RNET JSM LED W/LIGHTS	LED- used w/ lights
3	109750	CABLE ASSM RNET JSM LED	
4	112414	CASE TOP LED ASSY	
5	112413	CASE BASE LED ASSY	
6	138169	JOYSTICK KNOB	
7	105930	JOYSTICK BOOT	
8	105936	JOYSTICK	

NOTE: JOYSTICK POST (ITEM 10) ACCEPTS JOYSTICK KNOBS THAT HAVE A 1/4" DIAMETER MATING HOLE.

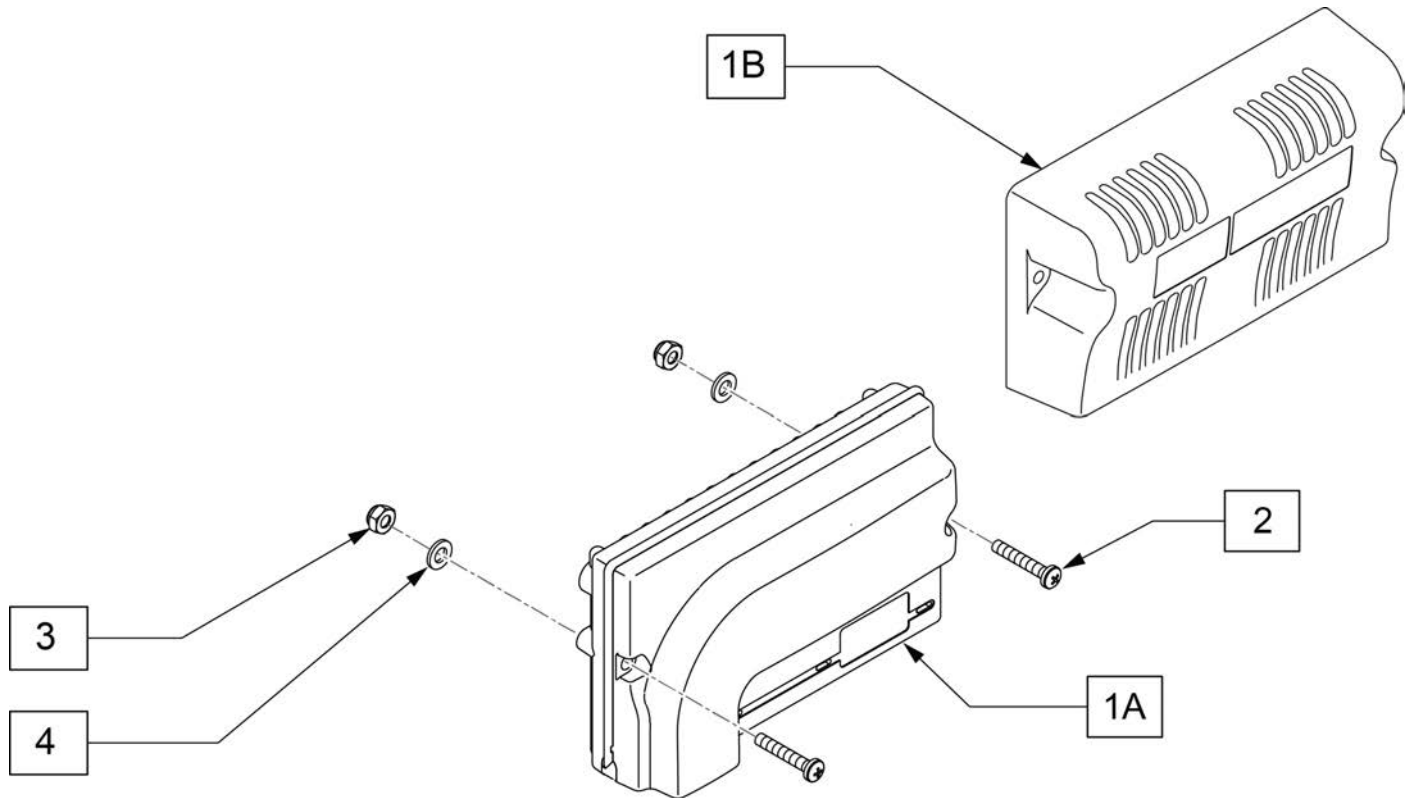
Note: please see attachment in informations panel for additional joystick component information and to determine appropriate replacement parts.



Pos.	Item Number	Description	Remarks
1A	108210	JYSTCK CJSM PT TGL	Color Display; w/ jacks, pot & toggle
1B	108208	JYSTCK CJSM	w/ jacks
1C	116525	JYSTCK MONOCHROME	No toggle or speed knob
1D	108213	JYSTCK CJSM PT TGL LGHT	Color display, used w/ lights
2A	109751	KEYPAD RNET JSM FRONT	use without lights
2B	122191	KEYPAD RNET JSM FRONT W/LIGHTS	use with lights
3A	109752	KEYPAD RNET JSM REAR	use without lights
3B	122189	KEYPAD RNET JSM RR W/LIGHTS	use with lights
4	109846	CABLE ASSY	Requires item 5 (109845) for Cable replacement
5	109845	CHARGER SOCKET ASSY	
6A	112357	CASE CJSM TOP ASSY	with Jacks, Pot & Toggle only
6B	117991	RNET JSM TOP ASSY MONO	without Pot & Toggle
7	112356	CASE CJSM BOTTOM ASSY	
8	138169	JOYSTICK KNOB	
9	105930	JOYSTICK BOOT	
10	105936	JOYSTICK	

Note: Serial number required for replacement.

Note: Assignable buttons software update occurred on chairs after P2XA-XXXXXX, if assignable buttons is desired a new controller is required.

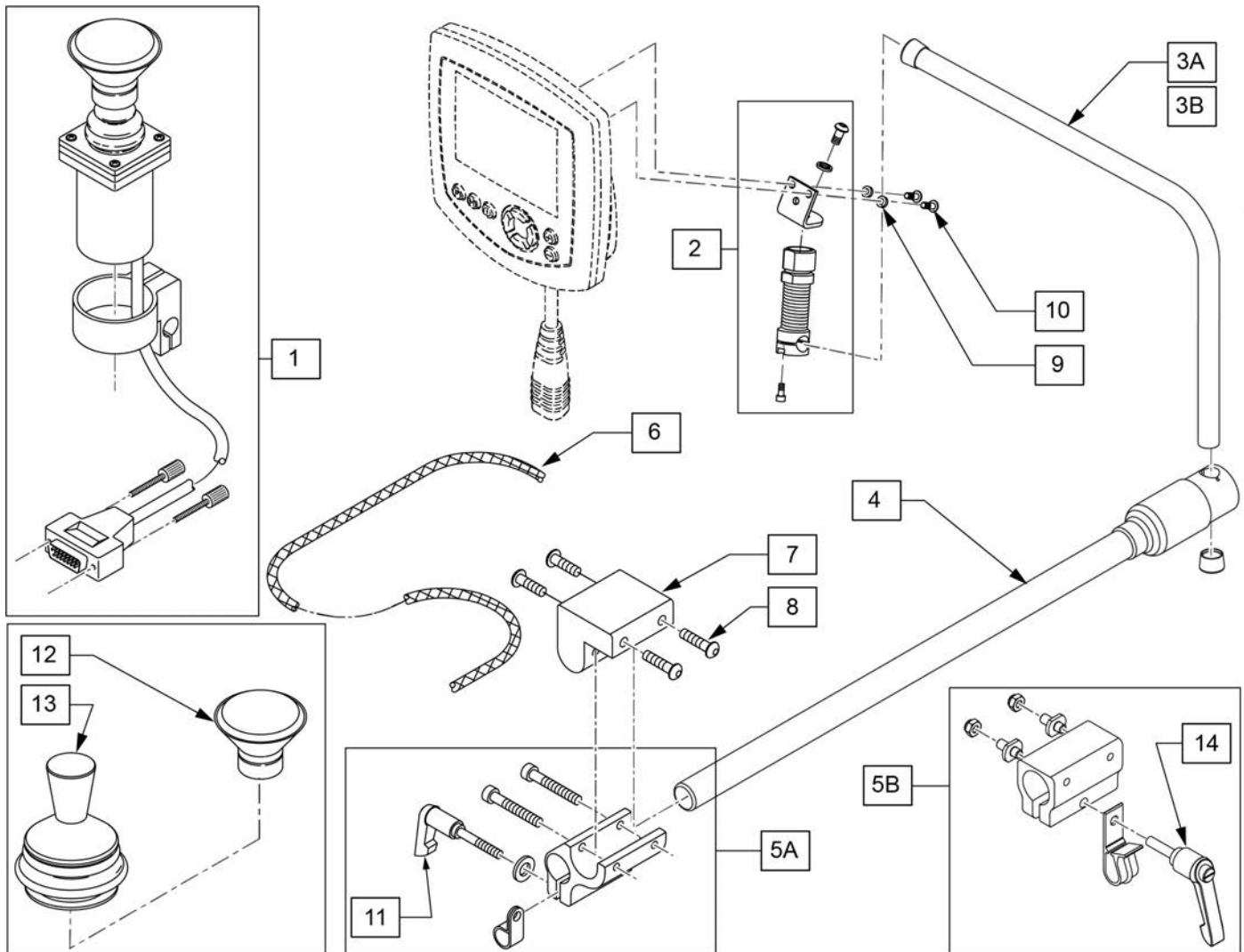


Pos.	Item Number	Description
1A	108219	CNTRL EL PM90
1B	123966	CNTRL PM 120
2	226038	10-32 X 1 3/8 BH C/S BLK
3	200100-QU	10-32 NYLOCK NUT
4	455031-QU	#10 AN WASHER .032 SS

NOTE: JOYSTICK POST ACCEPTS JOYSTICK KNOBS THAT HAVE A 3/16" DIAMETER MATING HOLE.

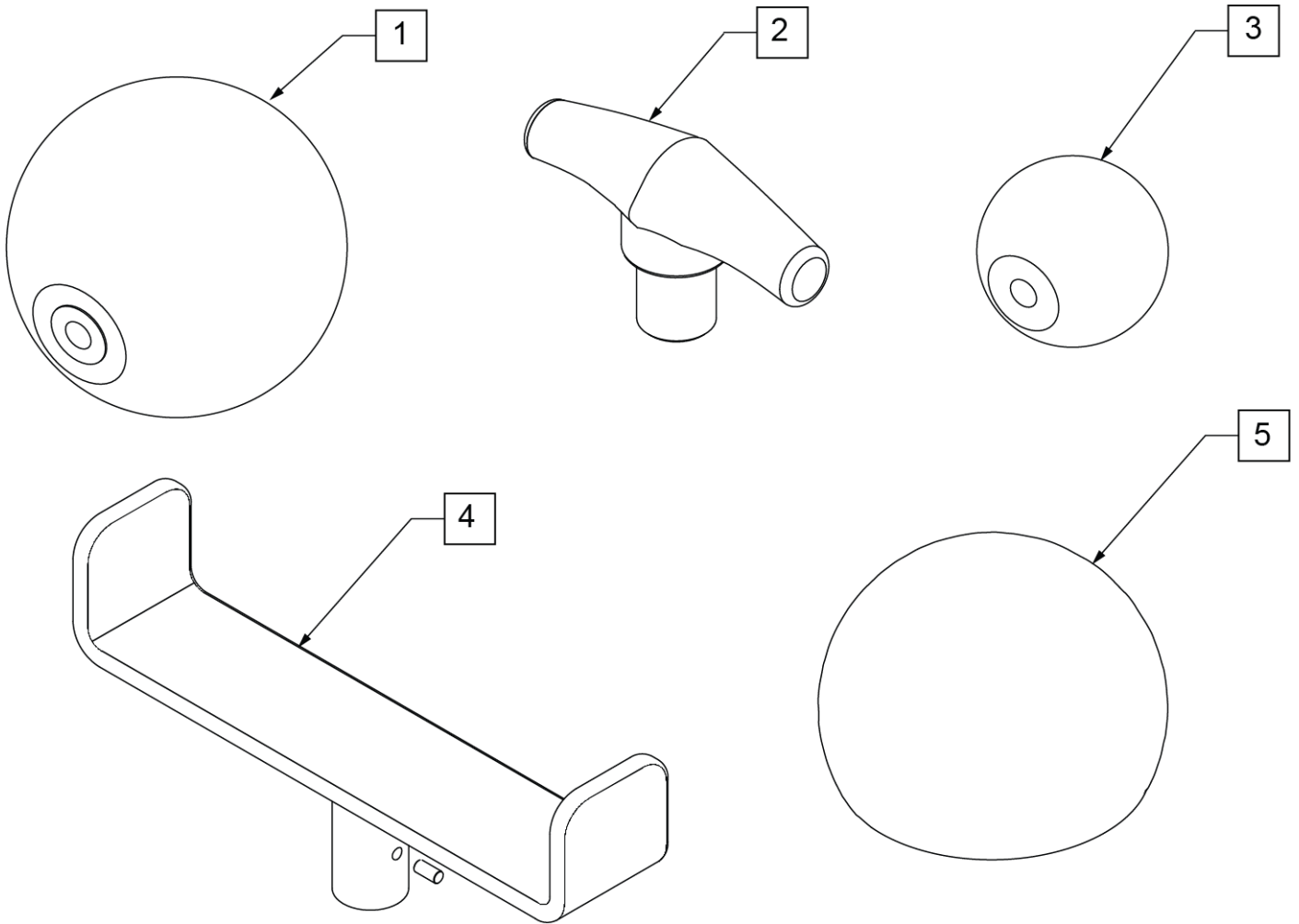
Note: OMNI Enhanced Display has been obsoleted and can be replaced by the new OMNI 2; in addition mounting hardware may be different so please review carefully what items are needed.

Note: if replacing a Omni with the Omni 2 and chair is equipped with a CTRL+5 and the chair was built prior to 11/15/18, the CTRL+5 will also need to be replaced; please contact Customer Service for further details.



Pos.	Item Number	Description	Remarks
1	139705	PROP CHIN CONTROL W/ MINI JS	
2	886976	USCM SPRING MOUNT AS	
3A	521098	ADJ DISPLAY ARM "L" SHORT(USCM)	Used w/ OMNI only
3B	521097	ADJ DISPLAY ARM "L" (USCM)	Used w/ OMNI & Compact Joystick
4	111190	MOUNT ARM DISPLAY	
5A	012433	CNTRL ARM CLMP UNIVERSAL ASSM	Used w/ Trad Rehab Armrest
5B	159406	CNTRLR CLMP ARM ASSM RND	Used w/ ASAP Seating Armrest
6	180351	BRAIDED SLEEVING 24"	
7	551001	CONTROLLER MOUNT BLOCK	USED w/ 5A on Power Recline
8	222297	10-24 X 3/8 SOC BH C/S W/PTCH	
9	261204	#10 AN WASHER .063	
10	013143	BHCS M5 X .8 X 14 BLK W/PL	
11	349024	HNDL 10-32 X 3/4 C/A P1/P3/P5	
12	D4000	CHINCUP QTRONIX	
13	138154	KNOB&PROTECTOR D10AB JOYSTICK	
14	011049	HANDLE ADJ MODERN M5 X 20 STUD	

Note: Optional Joystick Handles not available on Heavy Duty Joystick.

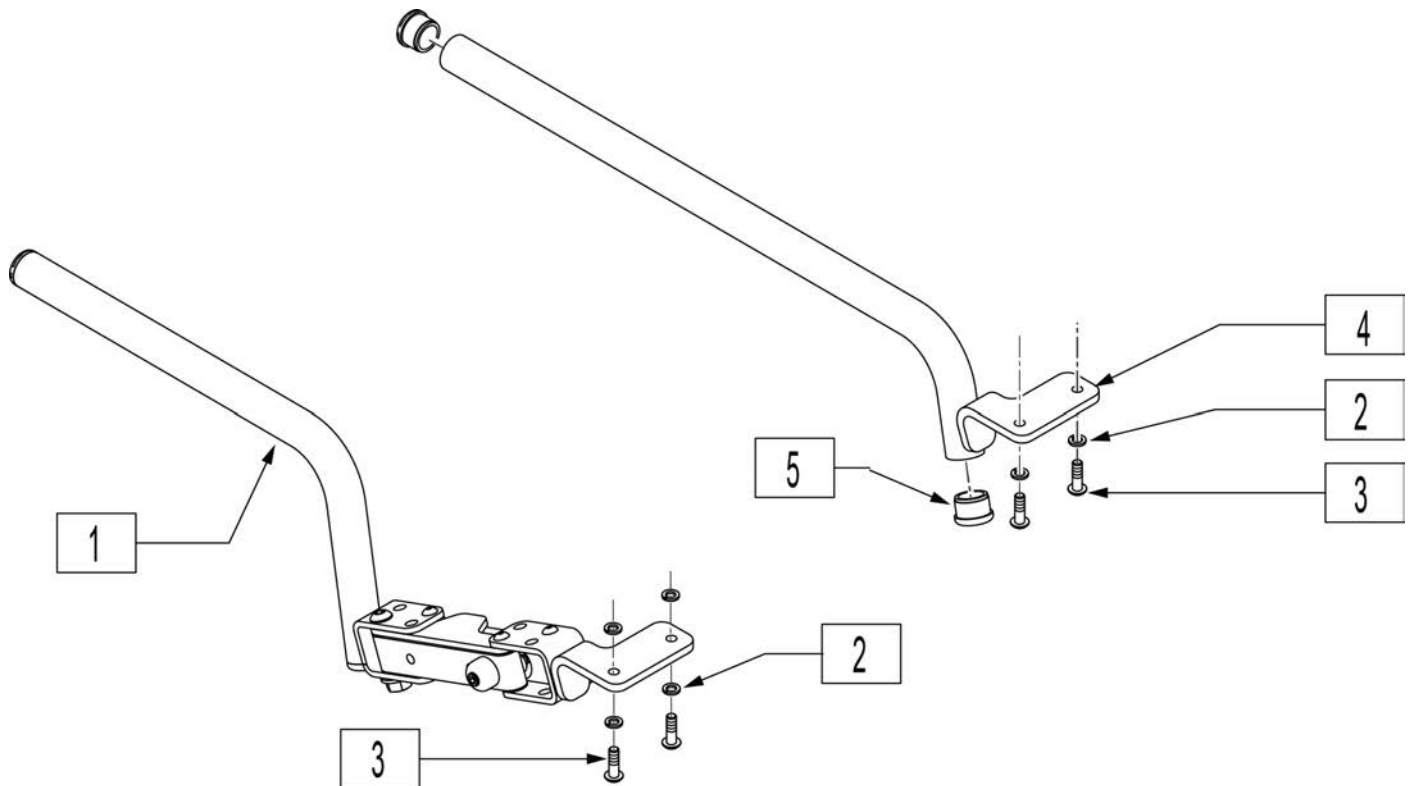


Pos.	Item Number	Description
1	138165	J/S KNOB BALL HANDLE (SOFT)
2	138167	J/S KNOB T-BAR
3	138166	J/S KNOB BALL HANDLE (SOLID)
4	013113	GOALPOST JOYSTICK EXT
5	6003447	ALL-ROUND JYSTK BALL (CHIN)

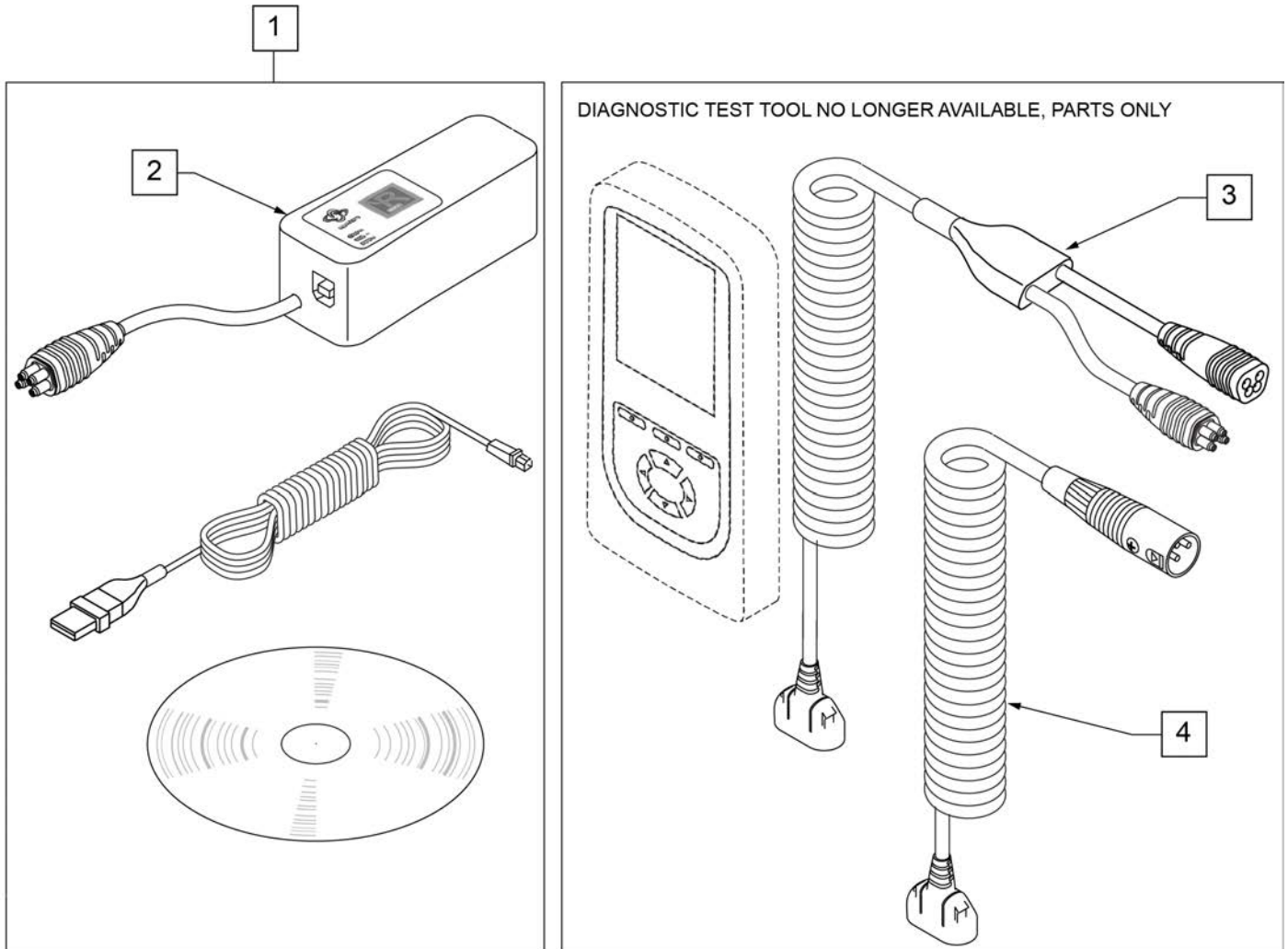
Note: Available on Pulse Chairs after S/N pls-101550.

Note: Available on Rhythm Chairs after S/N RTMA-106838.

Note: Joystick arms shown fit Vr2 & Rnet Joysticks on Rehab Armrest only, will not fit Catilever Armrest.



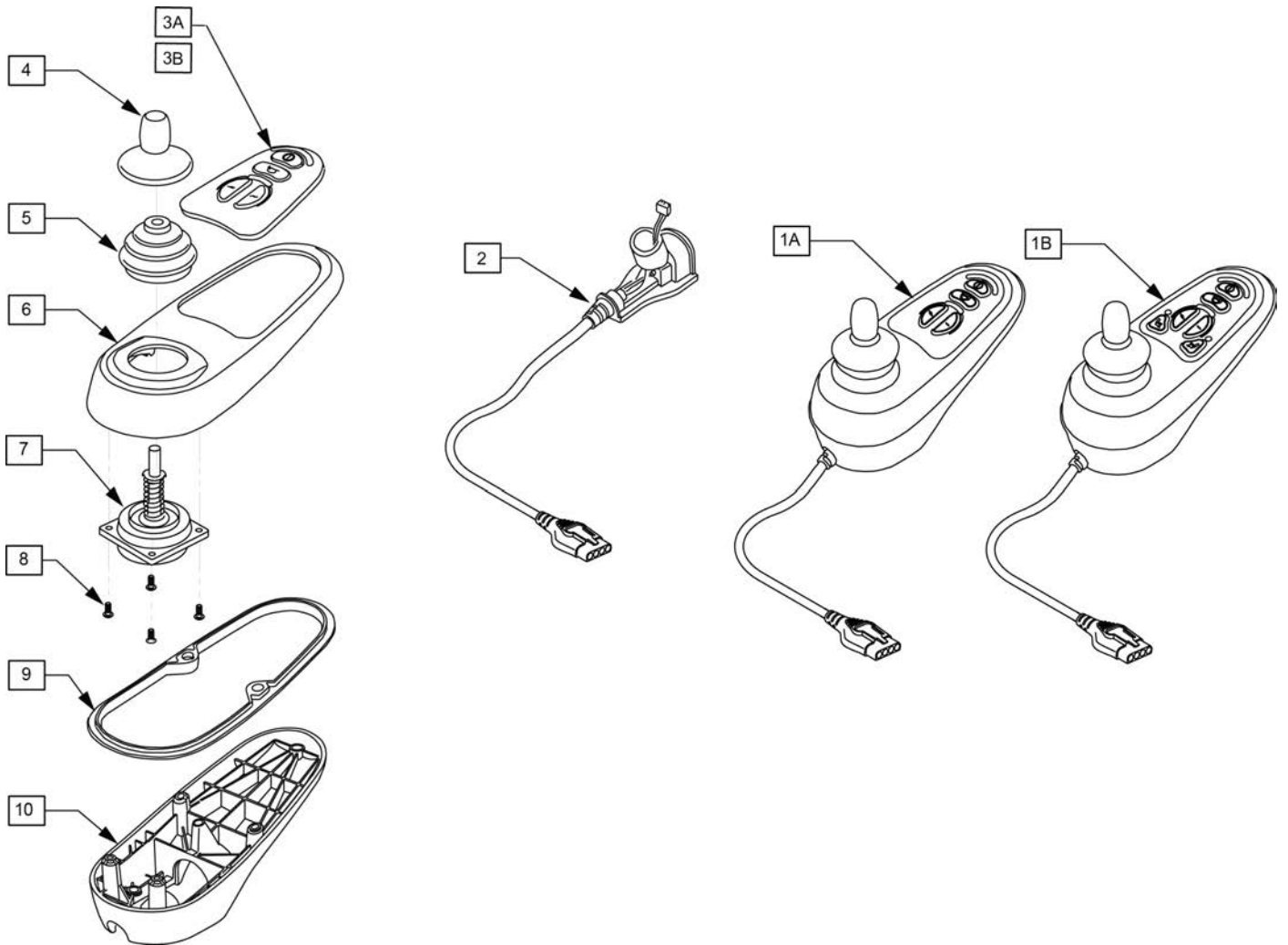
Pos.	Item Number	Description	Remarks
1	882496	S/A ARM VSI R ASSM	Right-Swing-away
1	882497	S/A ARM VSI L ASSM	Left-Swing-away
2	261524	#10 WASHER LOCK SS	
3	226024-QU	10-32 x 7/8 BH C/S BLK	
4	542131	VSI FIX MNTNG BLK WLDMNT RT	Right- Fixed
4	542132	VSI FIX MNTNG BLK WLDMNT LEFT	Left-Fixed
5	560761	3/4" INSERT PLUG .049 (18GA)	



Pos.	Item Number	Description	Remarks
1	108532	PC PROGRAMMER SOFTWARE	PC not included
2	108531	DONGLE R-NET PROGRAMING DEALER	
3	111423	CABLE DTT RNET	
4	115211	HARNESS DIAG TEST TOOL NEUTRIK	

NOTE: JOYSTICK POST (ITEM 7) ACCEPTS JOYSTICK KNOBS THAT HAVE A 1/4" DIAMETER MATING HOLE.

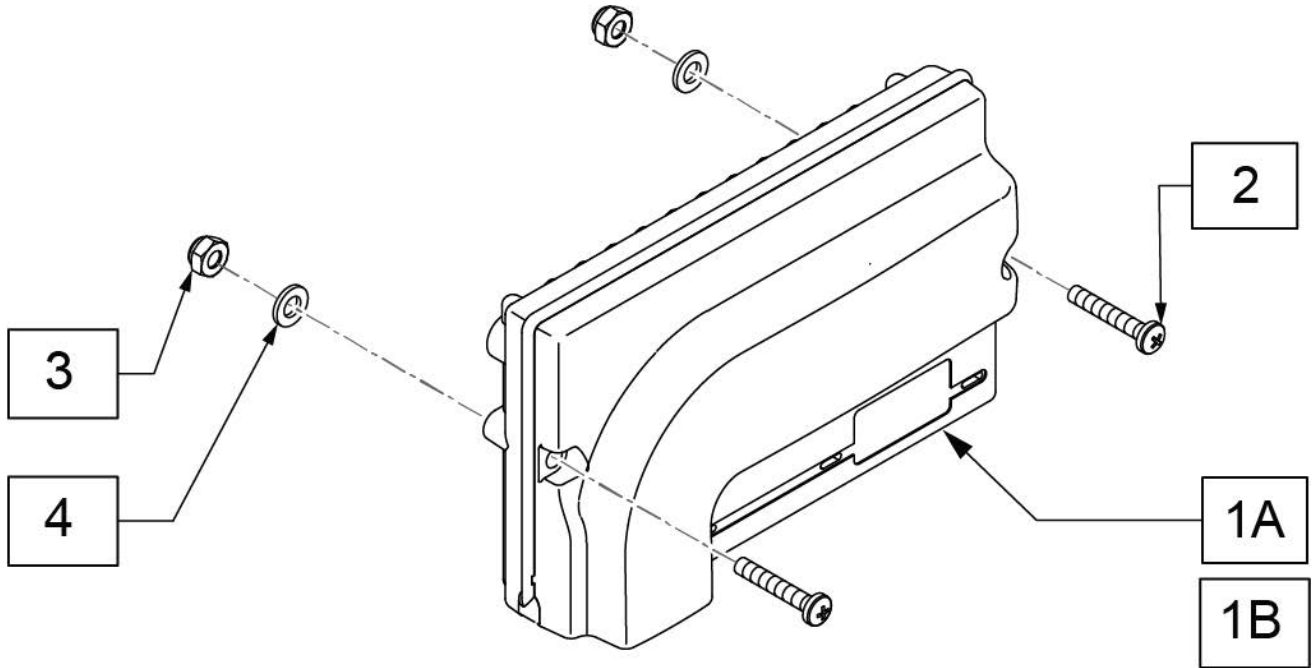
Note: please see attachment in informations panel for additional joystick component information and to determine appropriate replacement parts.



Pos.	Item Number	Description	Remarks
1A	105375	VR2 JOYSTICK 4 BUTTON	STD Joystick (Used when Dual Toggle is picked)
1B	105376	VR2 JOYSTICK 6 BUTTON	Thru Drive Joystick
2	105937	JOYSTICK CABLE	
3A	105938	KEYPAD 4 KEY	
3B	105939	KEYPAD 6 KEY	
4	138169	VSI JOYSTICK HANDLE	
5	105930	JOYSTICK GAITER	
6	105945	MOLDED TOP	
7	105936	JOYSTICK	
8	105947	SHCS M3X14 TORX	
9	105946	RUBBER SEAL JOYSTICK	
10	105940	MOLDED BOTTOM	

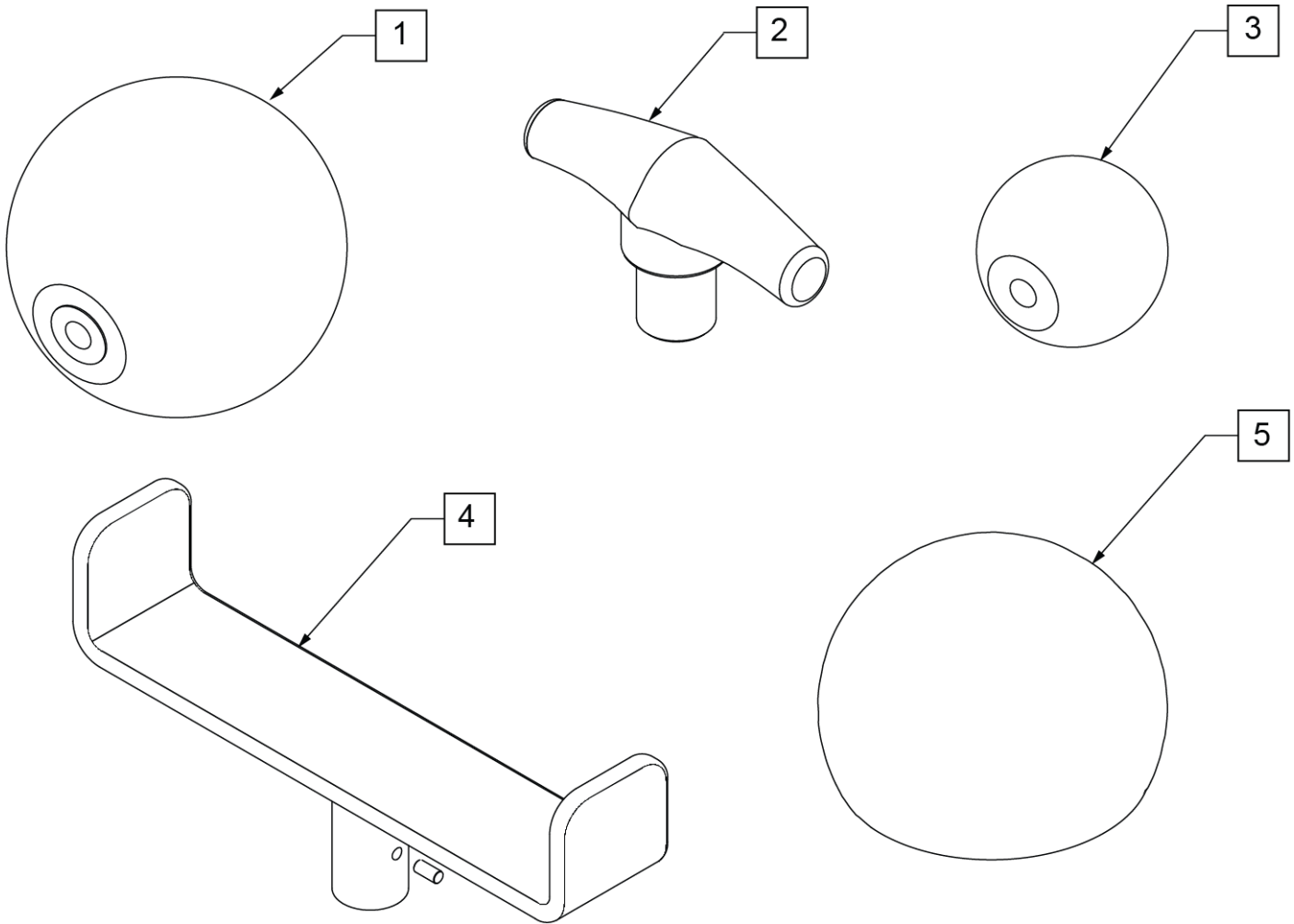
Note: serial number required for replacement.

Note: assignable buttons software update occurred on chairs after P2XA-XXXXXX; if assignable buttons is desired a new controller is required.



Pos.	Item Number	Description
1A	119463	CNTRL VR2 P222 STANDARD
1B	119468	CNTRL VR2 P222 DRIVE-THRU TILT
2	226034	10-32 X 1 3/4 BH C/S BLK
3	200100-QU	10-32 NYLOCK NUT
4	455031-QU	#10 AN WASHER .032 SS

Note: Optional Joystick Handles not available on Heavy Duty Joystick.

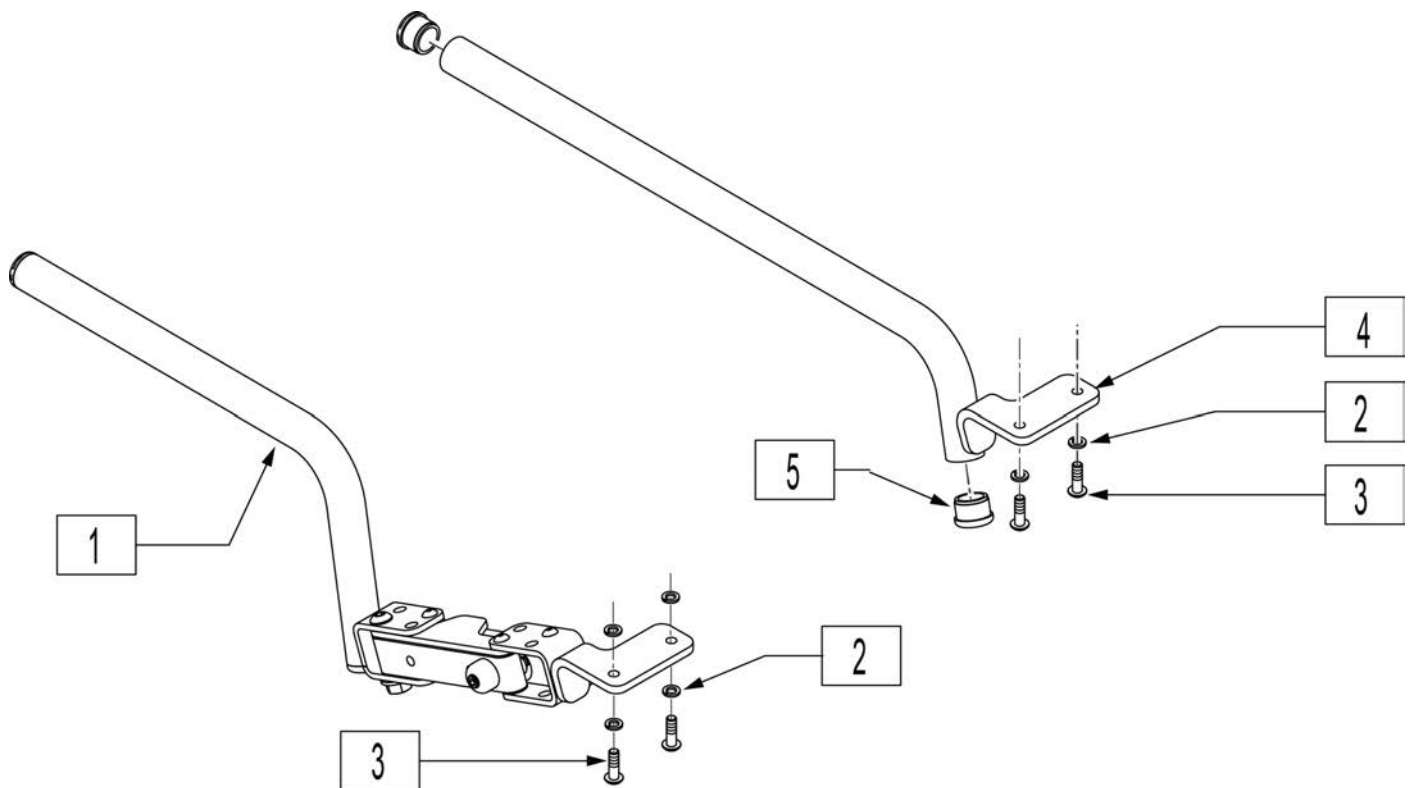


Pos.	Item Number	Description
1	138165	J/S KNOB BALL HANDLE (SOFT)
2	138167	J/S KNOB T-BAR
3	138166	J/S KNOB BALL HANDLE (SOLID)
4	013113	GOALPOST JOYSTICK EXT
5	6003447	ALL-ROUND JYSTK BALL (CHIN)

Note: Available on Pulse Chairs after S/N pls-101550.

Note: Available on Rhythm Chairs after S/N RTMA-106838.

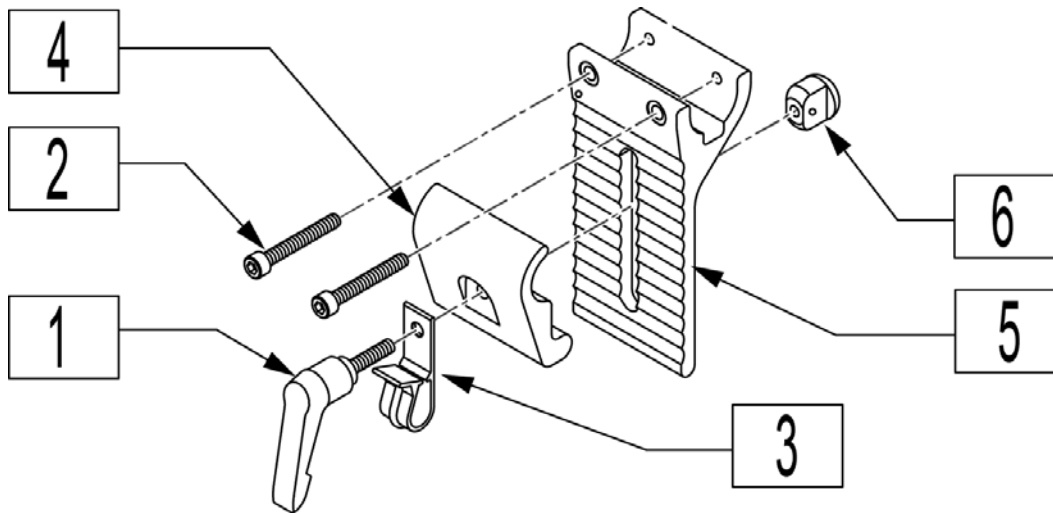
Note: Joystick arms shown fit Vr2 & Rnet Joysticks on Rehab Armrest only, will not fit Catilever Armrest.



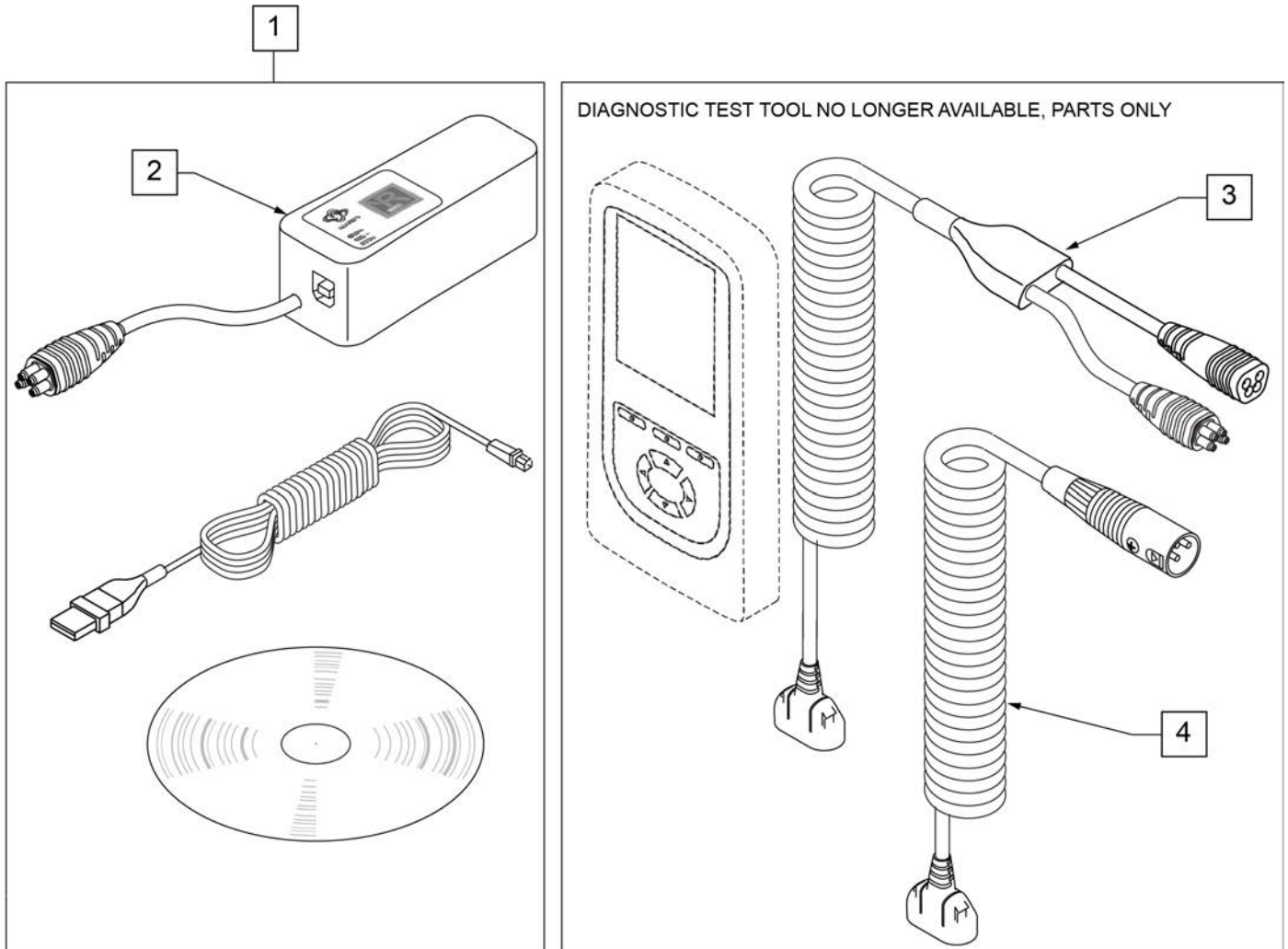
Pos.	Item Number	Description	Remarks
1	882496	S/A ARM VSI R ASSM	Right-Swing-away
1	882497	S/A ARM VSI L ASSM	Left-Swing-away
2	261524	#10 WASHER LOCK SS	
3	226024-QU	10-32 x 7/8 BH C/S BLK	
4	542131	VSI FIX MNTNG BLK WLDMNT RT	Right- Fixed
4	542132	VSI FIX MNTNG BLK WLDMNT LEFT	Left-Fixed
5	560761	3/4" INSERT PLUG .049 (18GA)	

HEIGHT ADJ CLAMP FOR ROUND ARM JOYSTICK MOUNT (SPHA & DUAL POST ARMRESTS) (06/2017)

Note: for OMNI Joystick Mount order 920713 Control Arm Clamp Assembly (Fixed, not Height Adjustable).

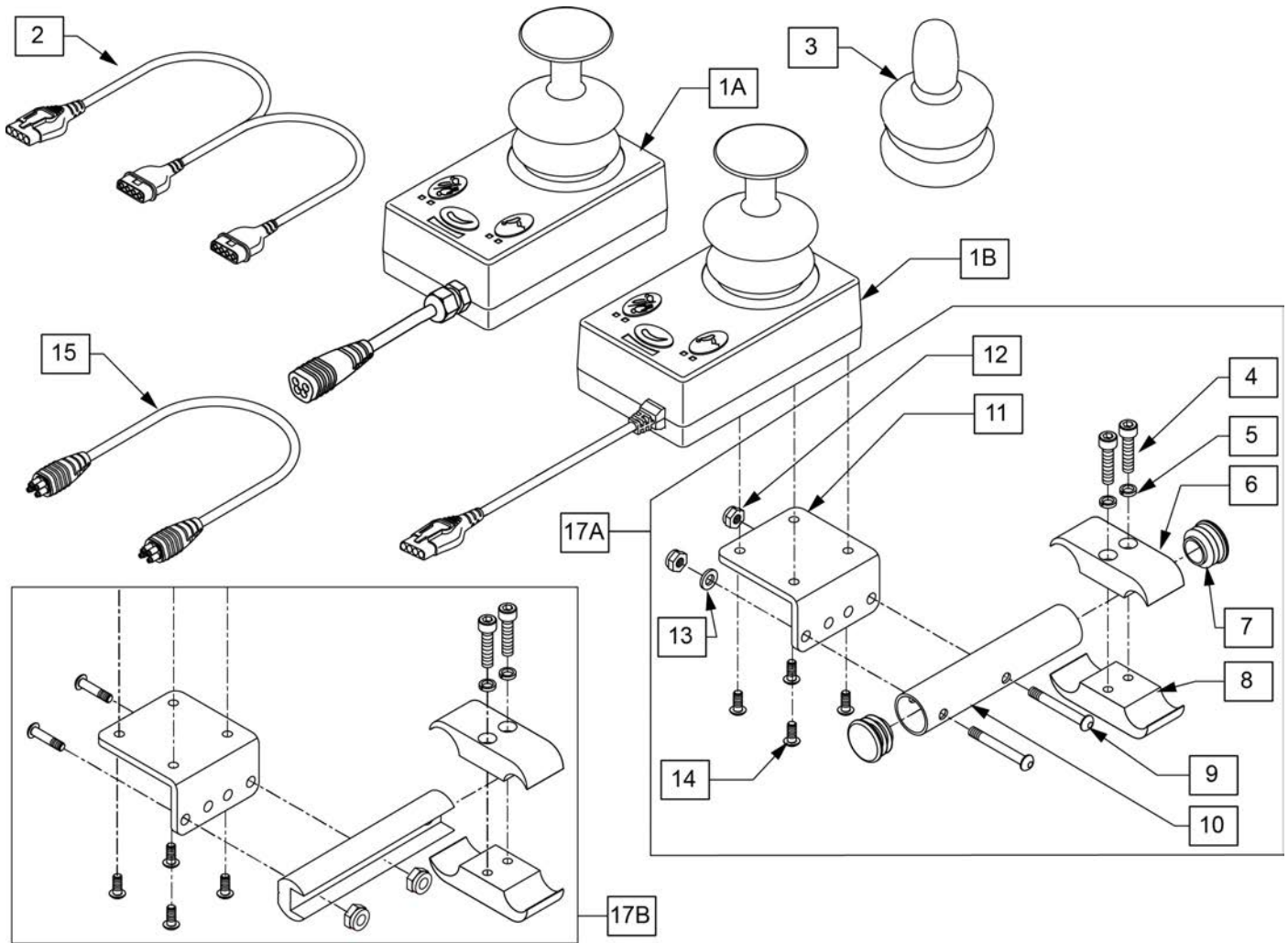


Pos.	Item Number	Description
1	349024	HNDL 10-32 x 3/4 C/A P1/P3/P5
2	226037	10-32 x 1 3/8 SOC C/S BLK
3	560268	QUICK RELEASE CLIP
4	505767	ADJUSTABLE REMOTE MOUNT
5	505766	ADJUSTABLE CLAMP OUTER
6	200139	SLIDING NUT
1-6	920738	HT ADJ MOUNT ASSM STD



Pos.	Item Number	Description	Remarks
1	108532	PC PROGRAMMER SOFTWARE	PC not included
2	108531	DONGLE R-NET PROGRAMING DEALER	
3	111423	CABLE DTT RNET	
4	115211	HARNES DIAG TEST TOOL NEUTRIK	

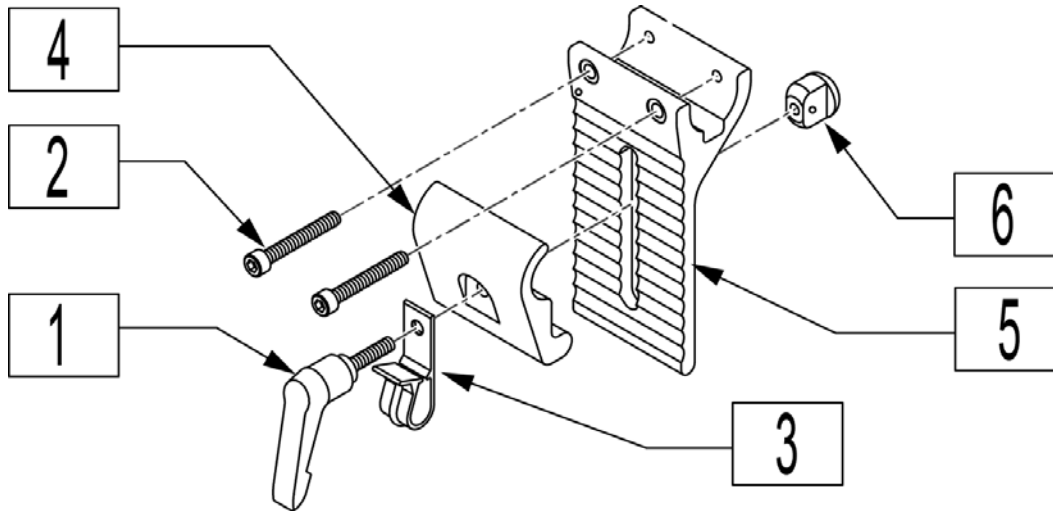
Note: Not compatible on chairs with Captains Seat.



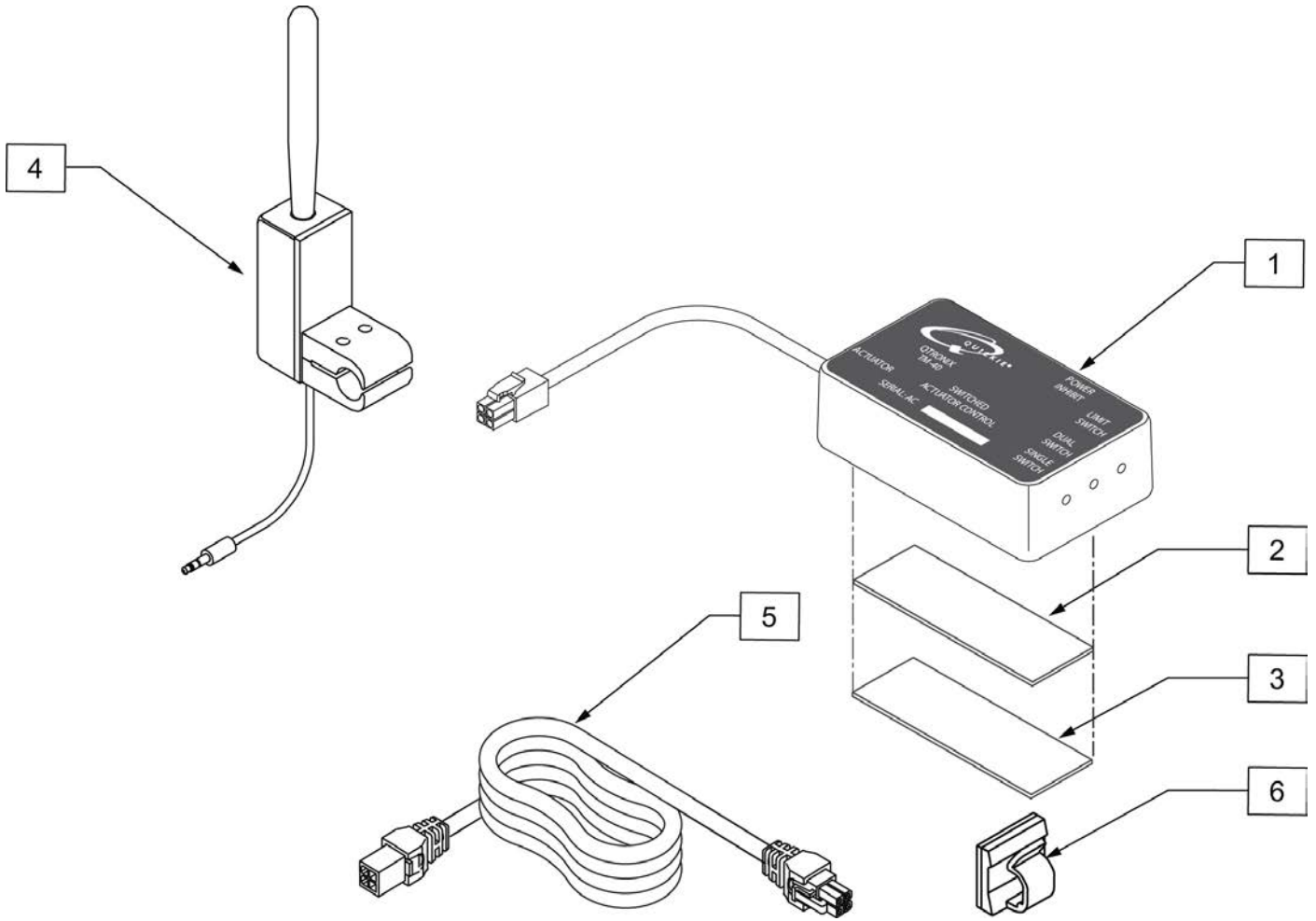
Pos.	Item Number	Description	Remarks
2	102359	HARNESS VR2 BUS SPLITTER	Used w/ VR2 Electronics Only
3	138169	VSI JOYSTICK HANDLE	
4	107032	1/4-28 X 1 SOC C/S BLK	
5	262114	1/4 WASHER HI COLLAR LOCK ZN	
6	550477	CLAMP 2 1/4" RECESS BLK	
7	561062	1" INSERT PLUG .065 RIBS	
8	550576	CLAMP 2 1/4" THREADED BLK	
9	102262-006	BHCS M6 X 1 X 40 INORGANIC	
10	102660	ATTND CNTRL MNT TB	
11	505533	ATTENDANT CTRL MOUNT BRACKET	
12	210084	NUT HEX NYLOCK M6 BLACK	
13	250104	WASHER FLAT M6	
14	013143	BHCS M5 X .8 X 14 BLK W/PL	
15	108316-050	HARNESS R-NET BUS 500MM	Used w/ Rnet Electronics Only
17A	102661	ATTND CNTRL MNT	Used w/ ASAP Seating only
17B	108281	ATTND CNTRL MNT	Used w/ ASAP2, Trad Rehab & Power Recline Seating Only
1A,3,15	110845	RNET ATTENDANT JOYSTICK	Used w/ Rnet Electronics Only
1B,2,3	102175	VR2 ATTENDANT JOYSTICK W/CABL	Used w/ VR2 Electronics Only

HEIGHT ADJ CLAMP FOR ROUND ARM JOYSTICK MOUNT (SPHA & DUAL POST ARMRESTS) (06/2017)

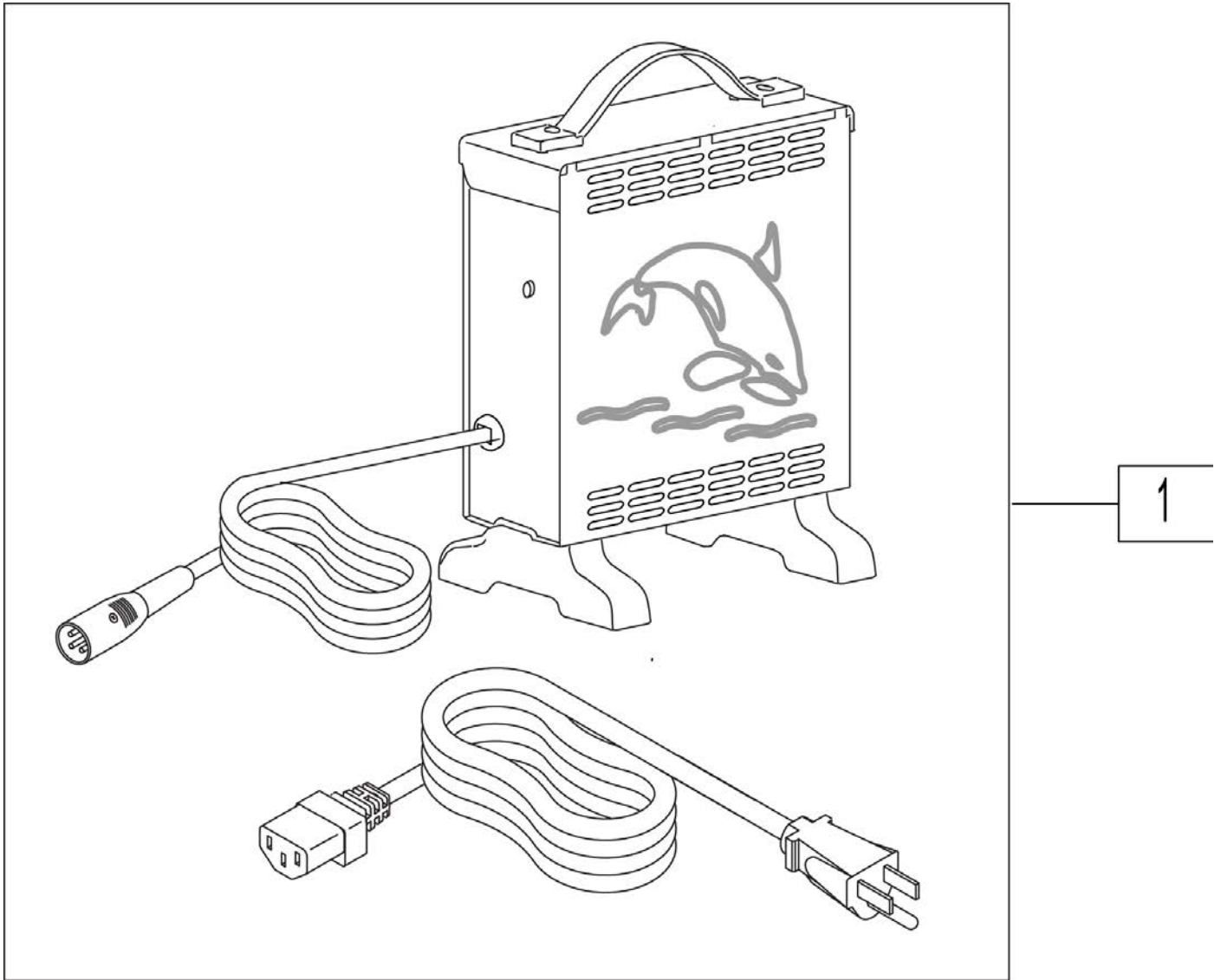
Note: for OMNI Joystick Mount order 920713 Control Arm Clamp Assembly (Fixed, not Height Adjustable).



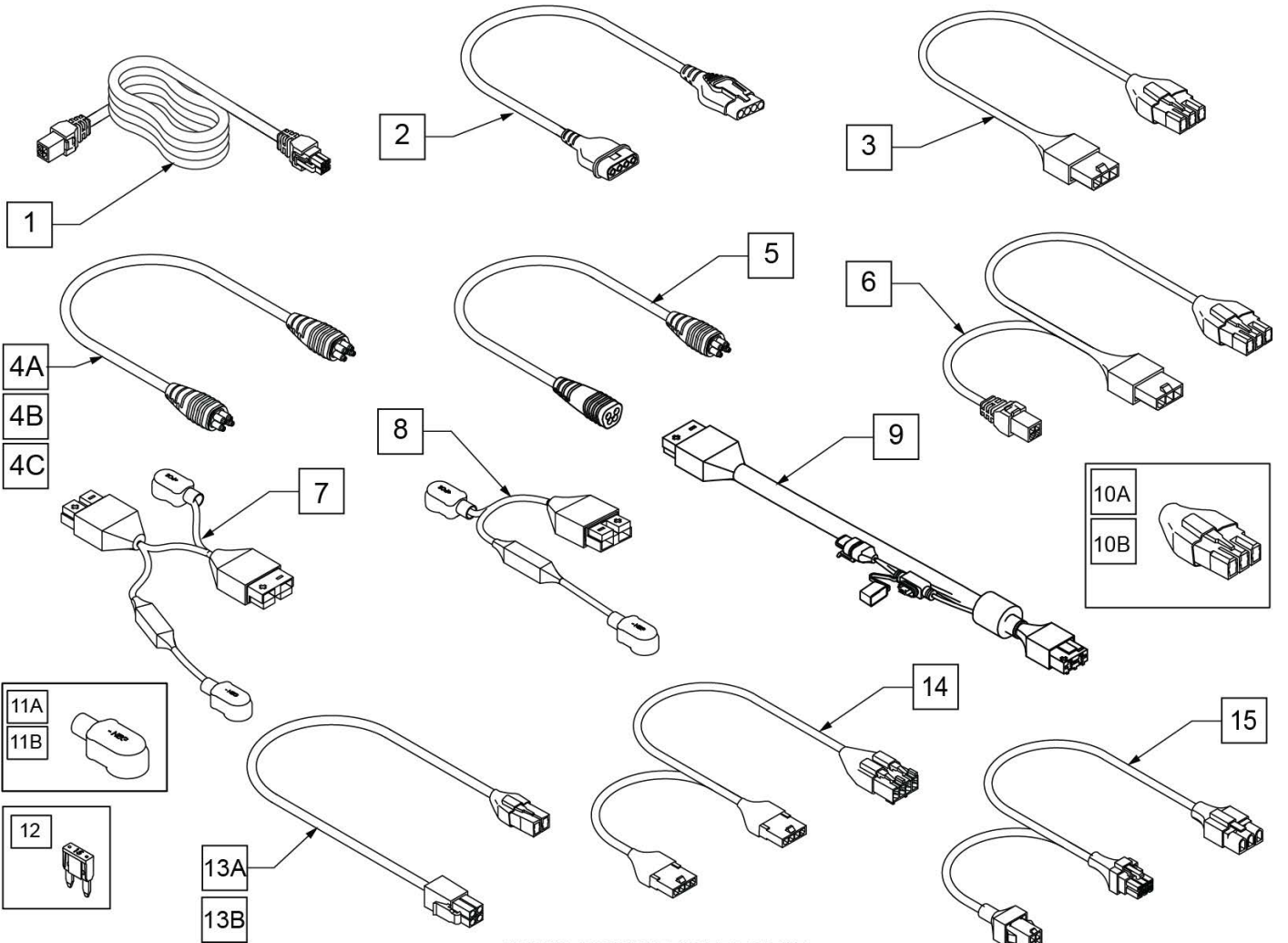
Pos.	Item Number	Description
1	349024	HNDL 10-32 x 3/4 C/A P1/P3/P5
2	226037	10-32 x 1 3/8 SOC C/S BLK
3	560268	QUICK RELEASE CLIP
4	505767	ADJUSTABLE REMOTE MOUNT
5	505766	ADJUSTABLE CLAMP OUTER
6	200139	SLIDING NUT
1-6	920738	HT ADJ MOUNT ASSM STD



Pos.	Item Number	Description	Remarks
1	116245	TM40 TILT CONTROL ASY 6 AMP	(Blue Box) Used for Tilt only-User Wt. 0-250 lbs
1	116367	TM40 TILT CONTROL ASY 10 AMP HD	(Grey Box)Used for Tilt only-User Wt. 250-300 lbs
2	102340	POLYLOCK FEMALE 3" X 1"	
3	102341	POLYLOCK MALE 3" X 1"	
4	881318	TOGGLE SWITCH ASSY TILT L	
4	881338	TOGGLE SWITCH ASSY TILT R	
4	881394	ATTN TGGLE SWTH ASSM TLT VLCRO	
4	881395	ATTN TGGLE SWTH ASSM TLT L	
4	881396	ATTN TGGLE SWTH ASSM TLT R	
5	108277-100	HARNESS DUAL TOGGLE 1000MM	
6	560794	CABLE HOLDER BLACK W/ADHESIVE	

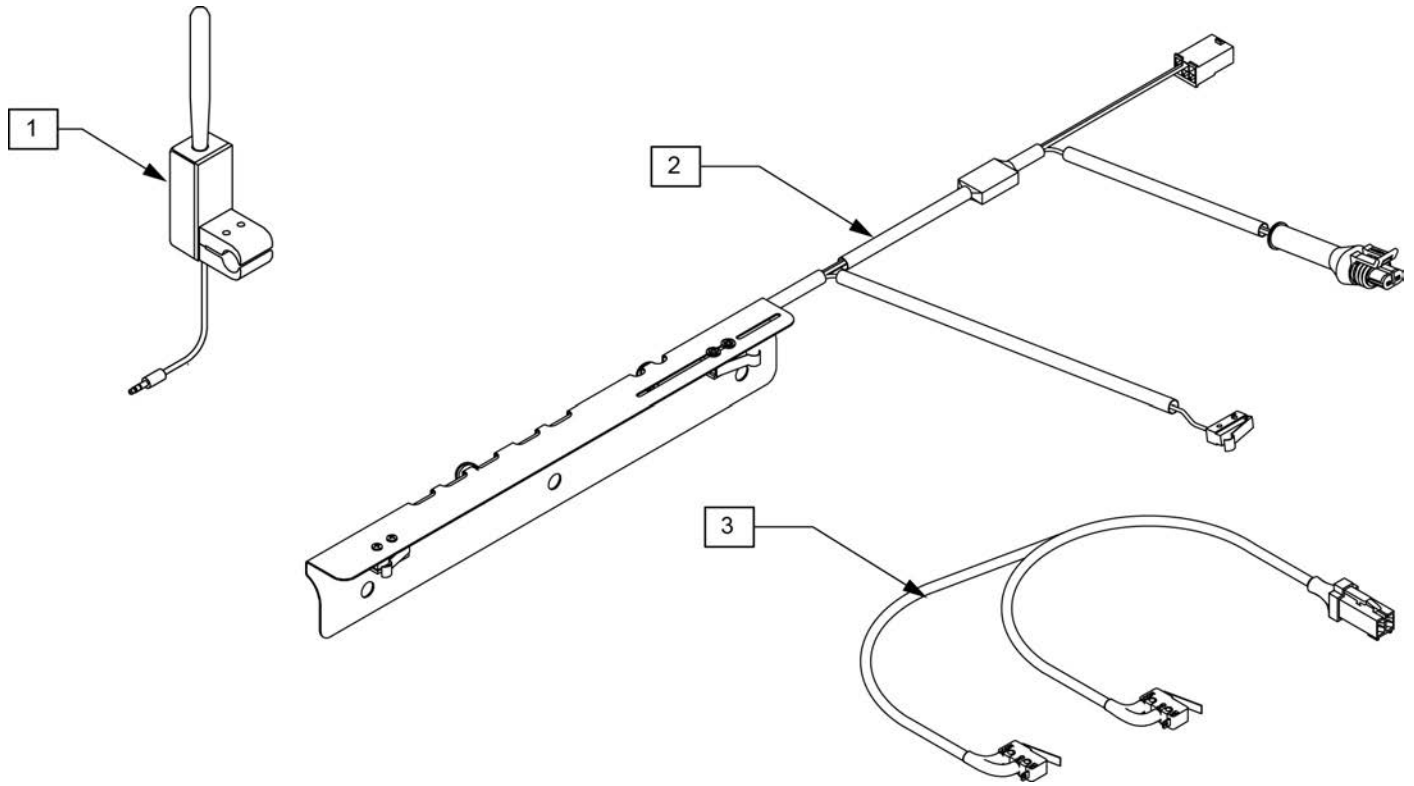


Pos.	Item Number	Description	HCPC
1	131386	CHGR OFF BRD 8A CTE W/CHKE	E2367

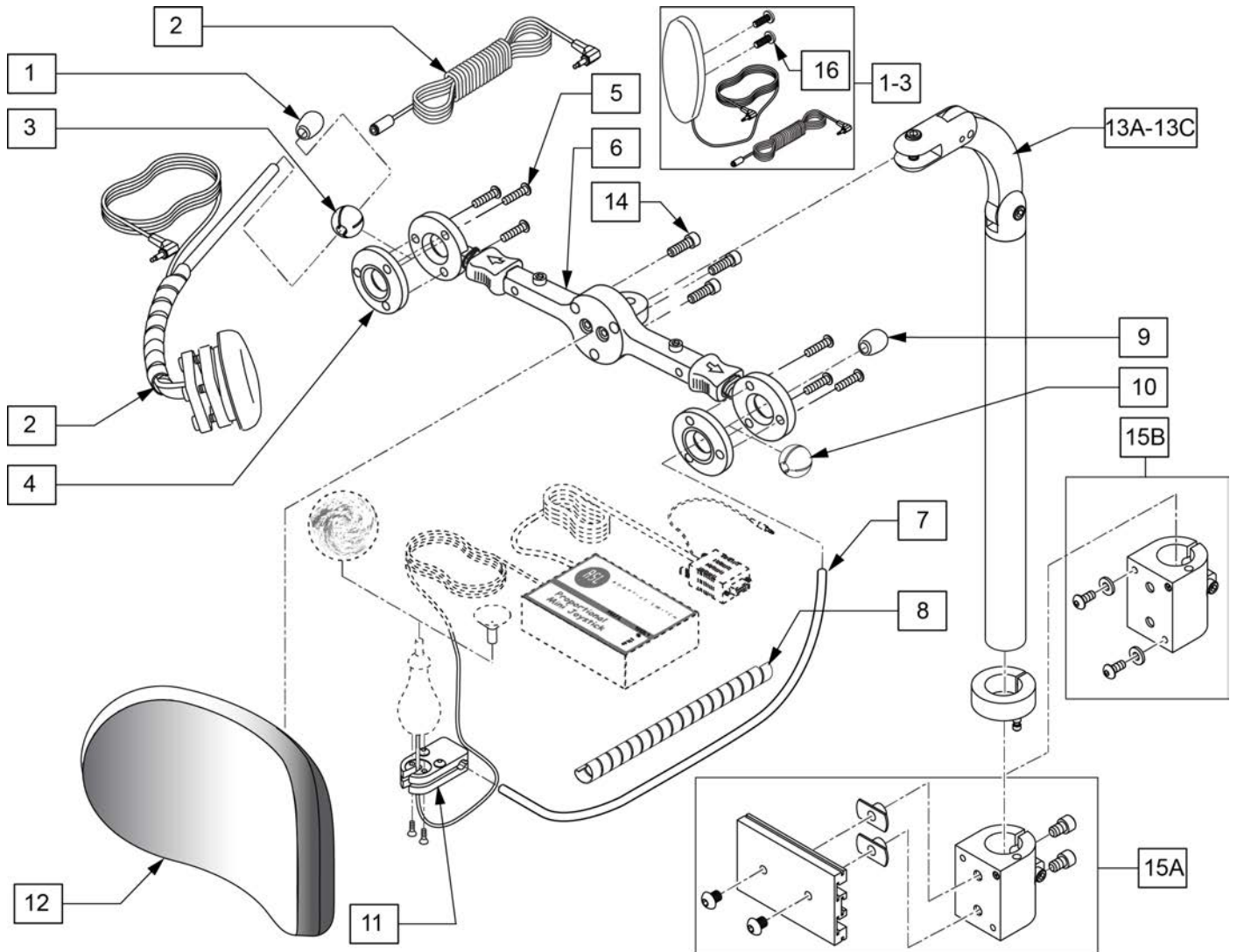


WIRING DRAWINGS NOT TO SCALE

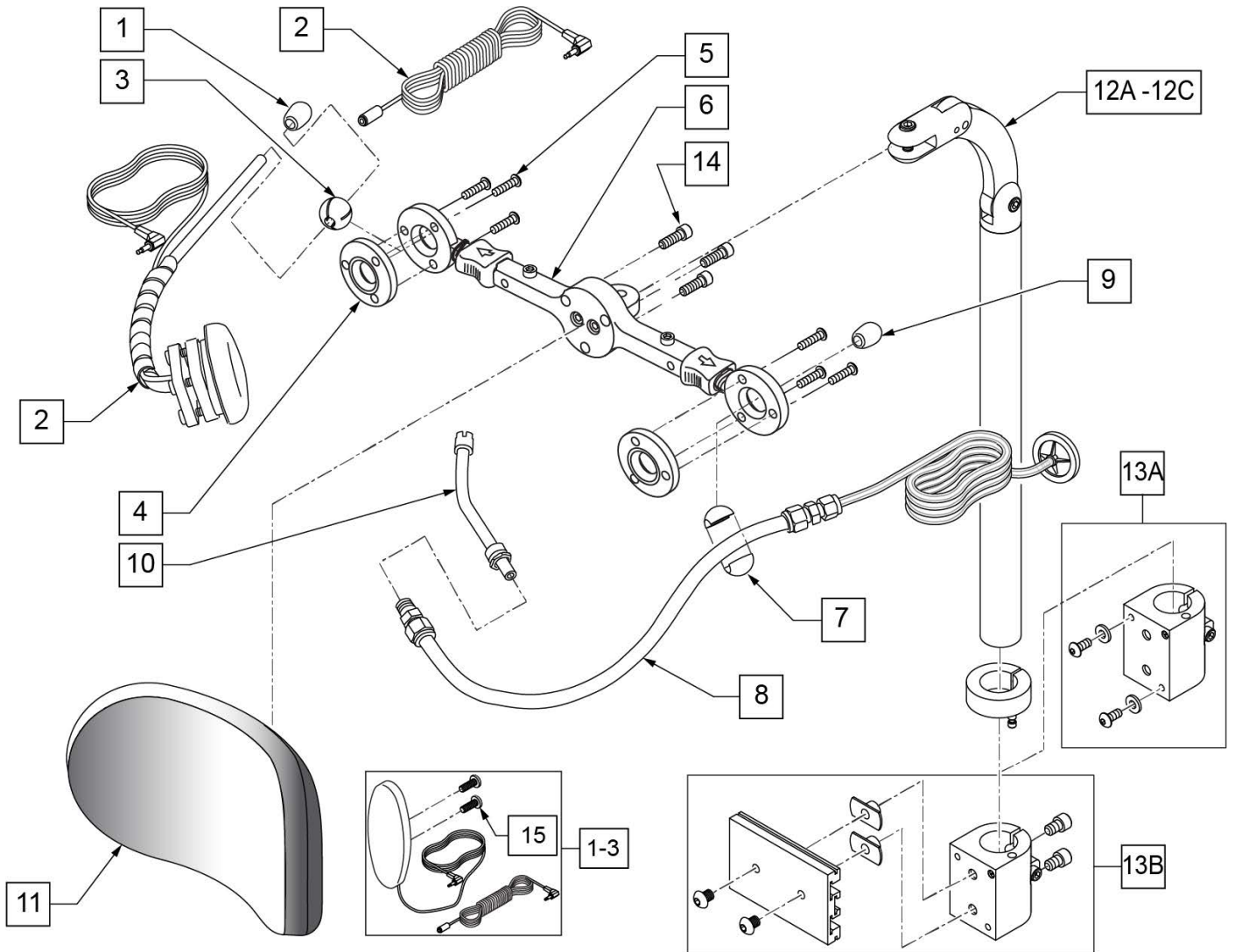
Pos.	Item Number	Description	Remarks
1	108277-100	HARNESS DUAL TOGGLE 1000MM	Drive Thru Tilt
2	101626	CONTROLLER HARNESS	Used w/ VR2 chairs only(Controller to Joystick)
3	116507-070	HARN PWR/INHBT ACT DRVR 700MM	
4A	108316-050	HARNESS R-NET BUS 500MM	Rnet Joystick EXT (Dist block to ISM, Bluetooth or IOM)
4B	108316-120	HARNESS R-NET BUS 1200MM	Rnet Joystick EXT (Dist block to Joystick, Omni or Attendant Control, Base to Joystick)
4C	108316-030	HARNESS R-NET BUS 300MM	ISM to Blue Tooth or IOM
5	108557-100	HARN RNET BUS EXTENSION 1000MM	Base to seating
6	119287-110	HARN ACT PWR/INH 1100MM	Used w/ Thru-Drive Tilt with ISM, Switch-Drive with TM40
7-9	164136	BATTERY HARN 100A KIT	
10A	116467	HARN INHBT 3 TLT/LFT	Use before S/N P2XA-026710
10B	243299	HARN INHBT 3 TLT/LFT	Use after S/N P2XA-026710
11A	247543	HARNESS BOOT POS	Red
11B	247544	HARNESS BOOT NEG	Black
12	249005	15A MINI FUSE	
13A	111438-010	HARN VR2 DRIVE THRU ACT 100MM	
13B	111438-020	ARN VR2 DRIVE THRU ACT 200MM	
14	121028	HARNESS LIGHT	
15	116331-115	HARN ACT. PWR/INH ADAPT 1200MM	



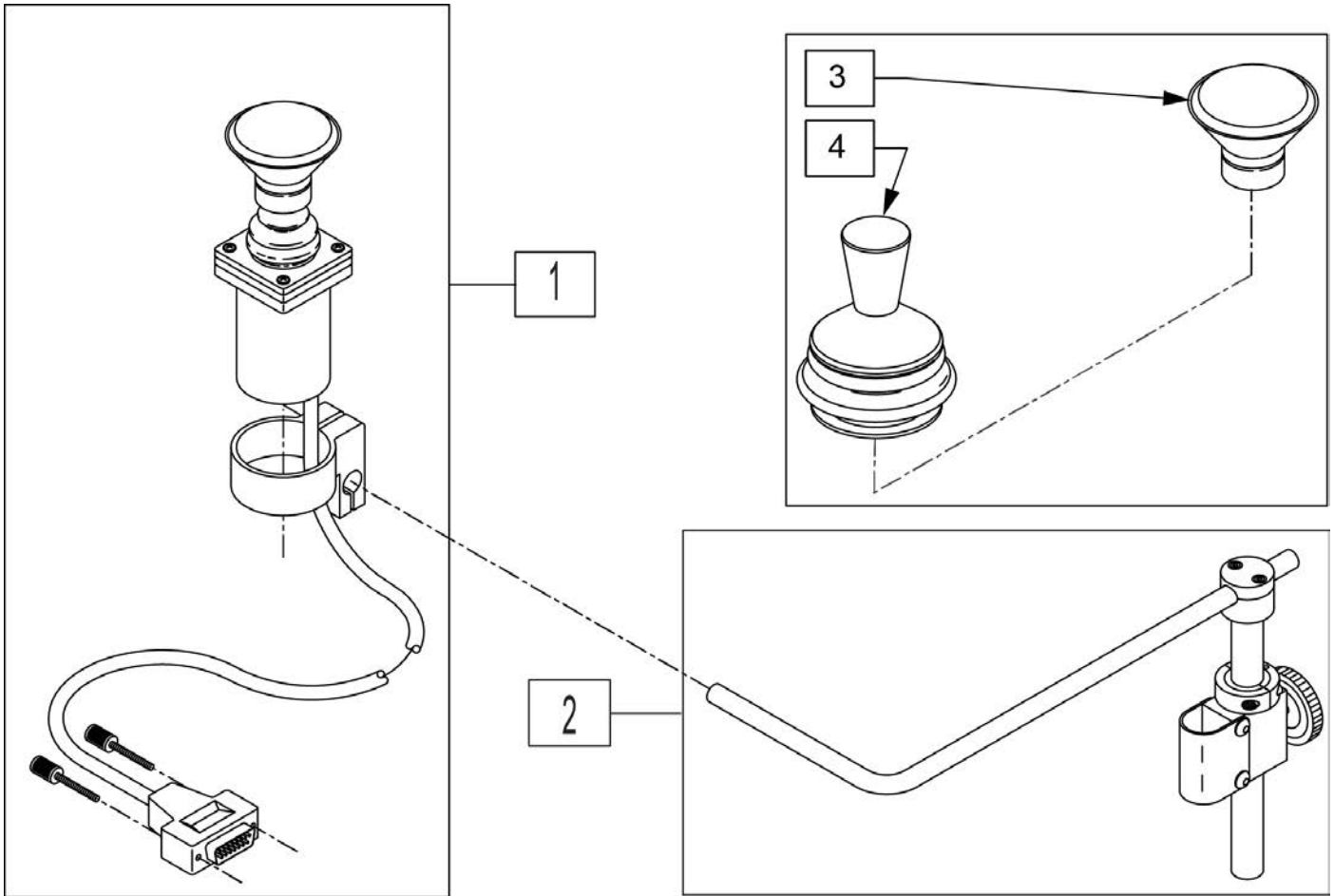
Pos.	Item Number	Description	Remarks
1	881338	TOGGLE SWITCH ASSY TILT R	For use w/ right hand toggle
1	881318	TOGGLE SWITCH ASSY TILT L	For use w/ left hand toggle
2	120580	HARN MODULR TILT	
3	119076	HARN P222 INTERLOCK RNET/VR2	



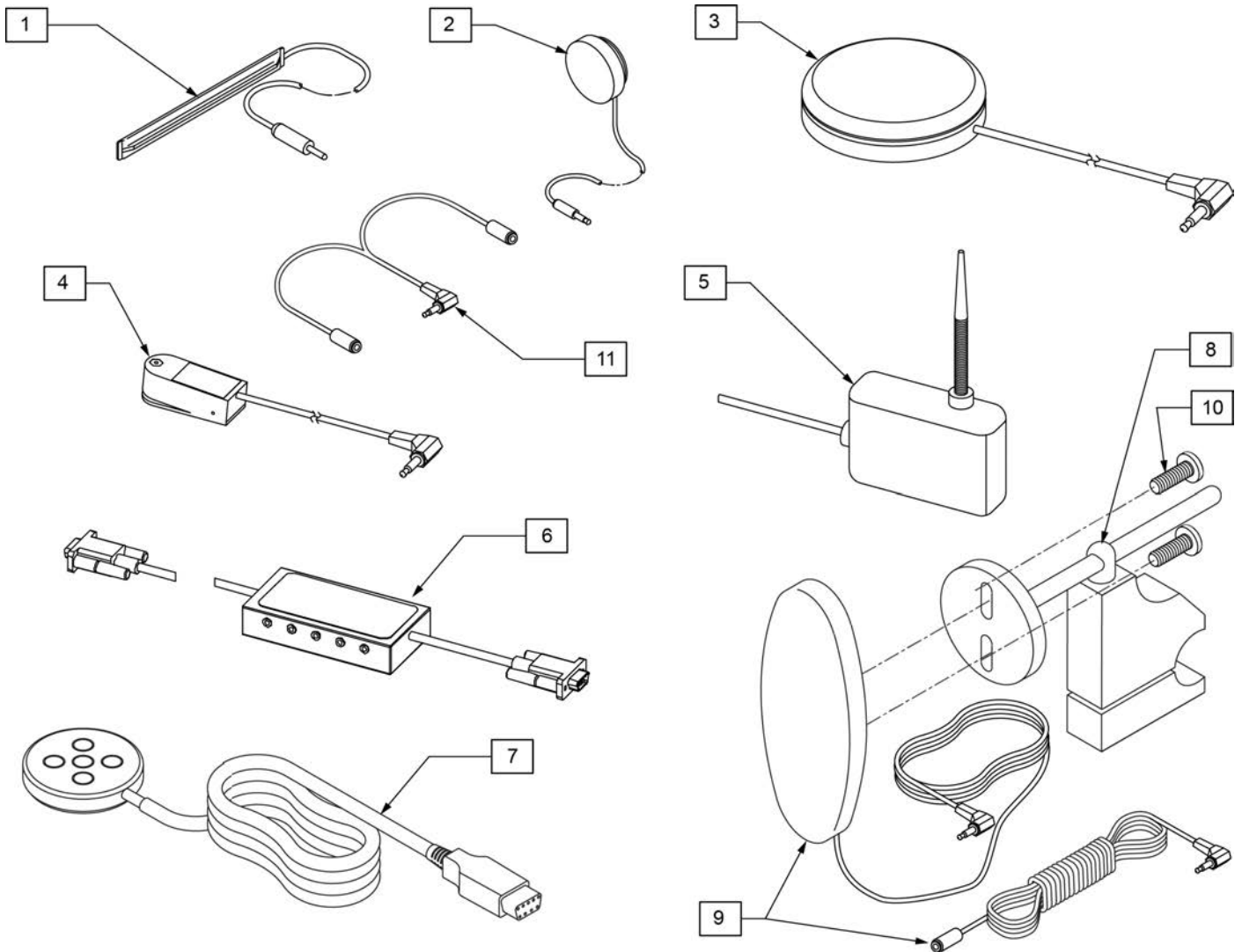
Pos.	Item Number	Description
1-3	139915	RESET SWITCH EGG SHAPED
4-11	882872	HEADREST JOYSTK MOUNT W SA SW
12	750697	HEADREST W/ZIPPER LARGE CG
13A	888113	MOUNT HEADREST WO FLANGE 7"
13B	888114	MOUNT HEADREST WO FLANGE 9"
13C	888115	MOUNT HEADREST WO FLANGE 15"
14	226116	10-32 X 1" SOC C/S BLK
15A	888100	CLAMP HEADREST SMART SEAT
15B	888101	CLAMP HEADREST RIGID BACK
16	281082	8-32 X 3/8 PAN PHIL M/S BLK



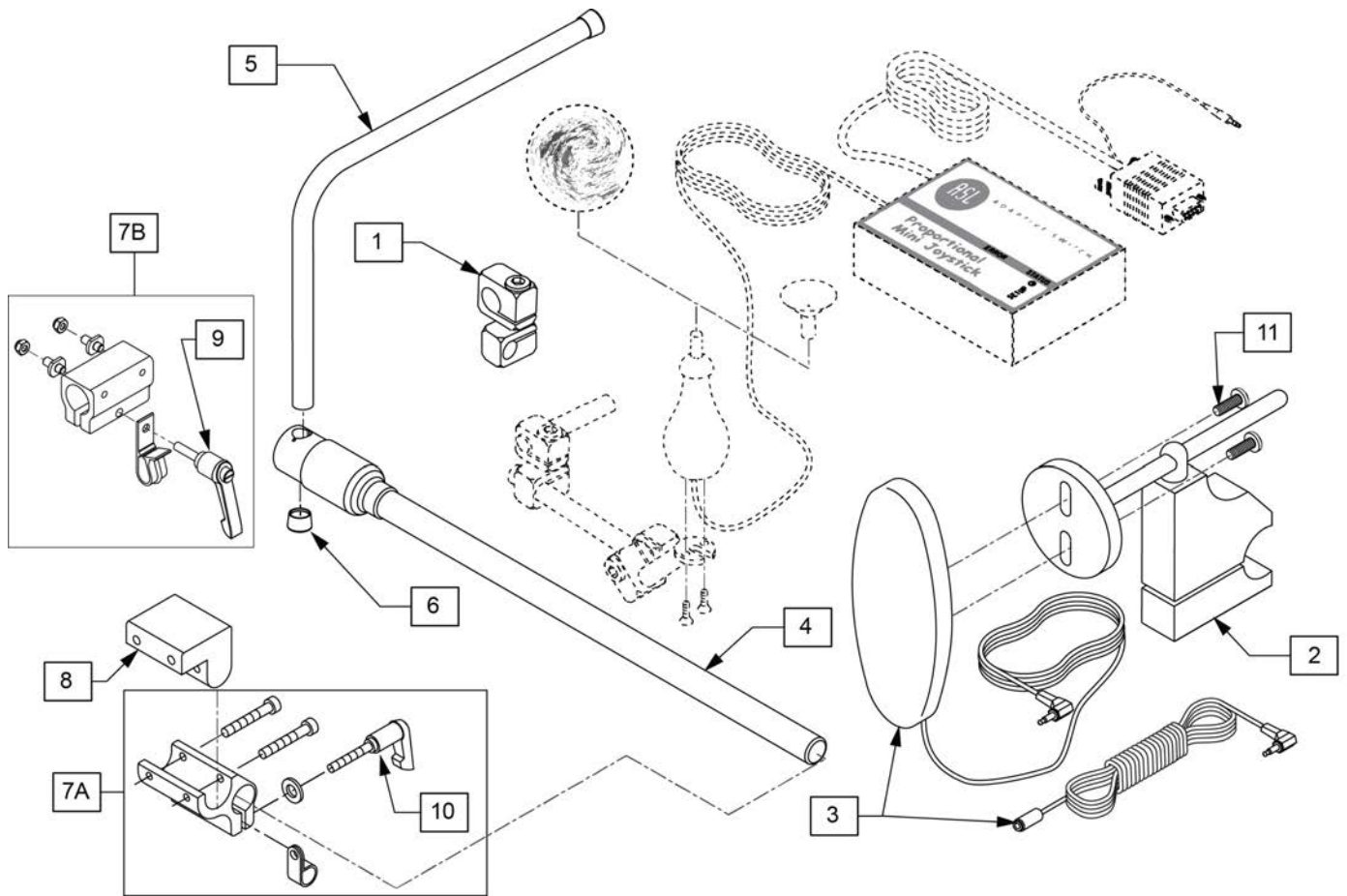
Pos.	Item Number	Description
1-3	139915	RESET SWITCH EGG SHAPED
1-10	882873	HEADREST SIPNPUFF W SW AWAY SW
10	101434	SIP N PUFF STRAW
11	750697	HEADREST W/ZIPPER LARGE CG
12A	888113	MOUNT HEADREST WO FLANGE 7"
12B	888114	MOUNT HEADREST WO FLANGE 9"
12C	888115	MOUNT HEADREST WO FLANGE 15"
13A	888100	CLAMP HEADREST SMART SEAT
13B	888101	CLAMP HEADREST RIGID BACK
14	226116	10-32 X 1" SOC C/S BLK
15	281082	8-32 X 3/8 PAN PHIL M/S BLK



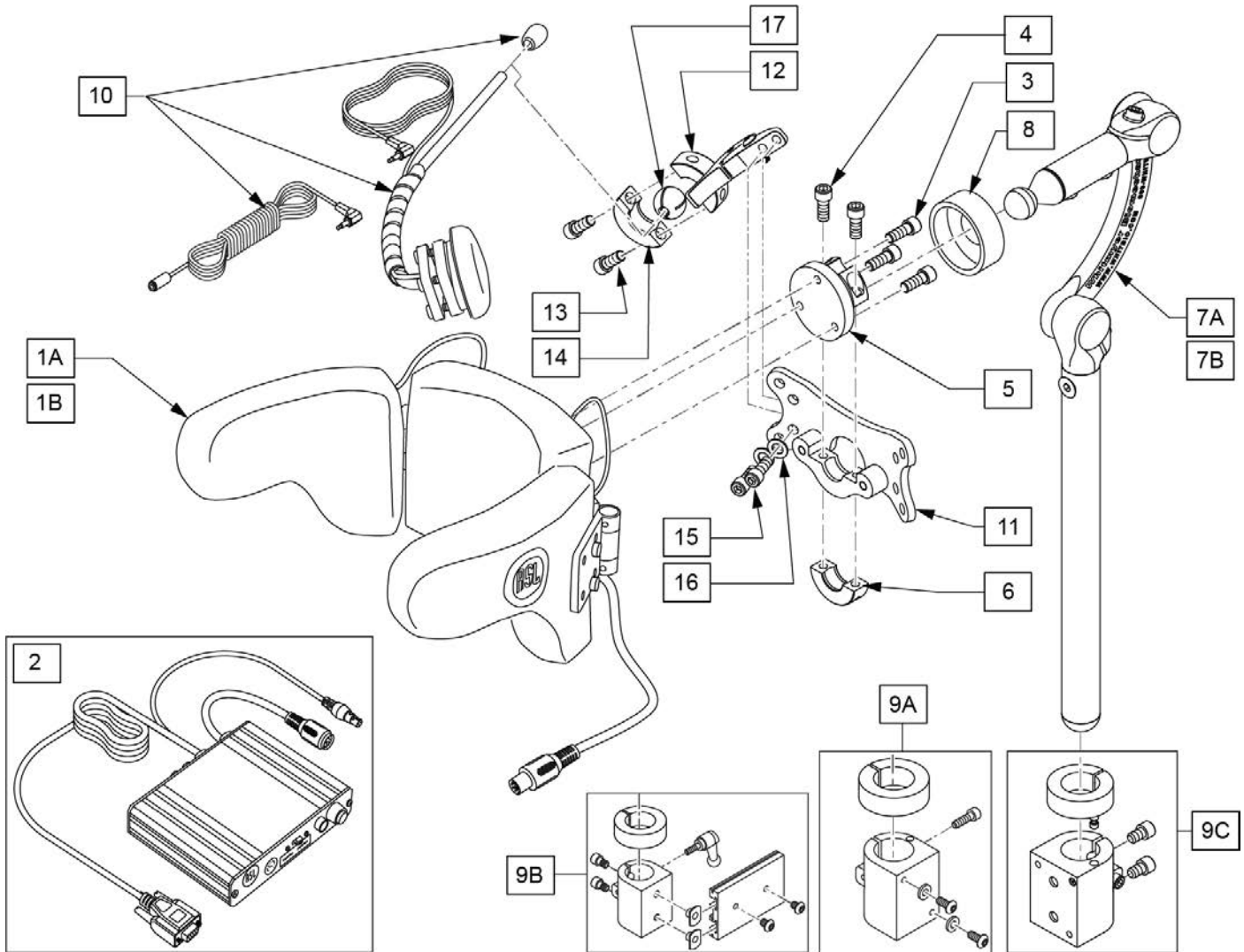
Pos.	Item Number	Description
1	139705	PROP CHIN CONTRO W/MINI JS
2	D3150-3	AMH S/A MNTG KIT B/R 1" 3185
4	138154	KNOB&PROTECTOR D10AB JOYSTICK
3	D4000	CHINCUP QTRONIX



Pos.	Item Number	Description	Remarks
1	133721	SWITCH RIBBON	Cord length 63"
2	133722	SWITCH DISC	Cord length 69"
3	139920	SWITCH BUDDY BUTTON RED	Cord length 57"
4	139921	MICRO LIGHT	Cord length 58"
5	139910	SWITCH WOBBLE	Cord length 68"
6	Discontinued	SWITCH CA-5 BOX	Cord length (female cable 63")(male cable 6")
7	Discontinued	SWITCH PENTA	Cord length 63"
8	920904	MOUNT RESET SW FOR 7/8 TUBE	Clamps to 7/8" tubing
9,10	139915	RESET SWITCH EGG SHAPED	Cord length 51"(Ext 71")
10	281082	8-32 X 3/8 PAN PHIL M/S BLK	
11	105417	STEREO TO 2 MONO SPLITTER	Cord length 6"



Pos.	Item Number	Description	Remarks
1	521617	MOUNT MINI JOYSTK TO 1/2" TUBE	
2	920904	MOUNT RESET SW FOR 7/8 TUBE	
2,3,11	521619	RESET SWITCH W BRACKET UNIV	
3,11	139915	RESET SWITCH EGG SHAPED	
4	111190	MOUNT ARM DISPLAY	
5	521097	ADJ DISPLAY ARM "L" (USCM/OMNI)	
6	560307	ADJ DISPLAY ARM CAP (USCM/OMNI)	
7A	012433	CNTRL ARM CLMP UNIVERSAL ASSM	Trad Rehab Seating Armrest
7B	159406	CNTRLR CLMP ARM ASSM RND	ASAP Seating Armrest
8	551001	CONTROLLER MOUNT BLOCK	USED w/ 8A on Power Recline Armrest
9	011049	HANDLE ADJ MODERN M5 X 20 STUD	
10	349024	HNDL 10-32 X 3/4 C/A P1/P3/P5	
11	281082	8-32 X 3/8 PAN PHIL M/S BLK	



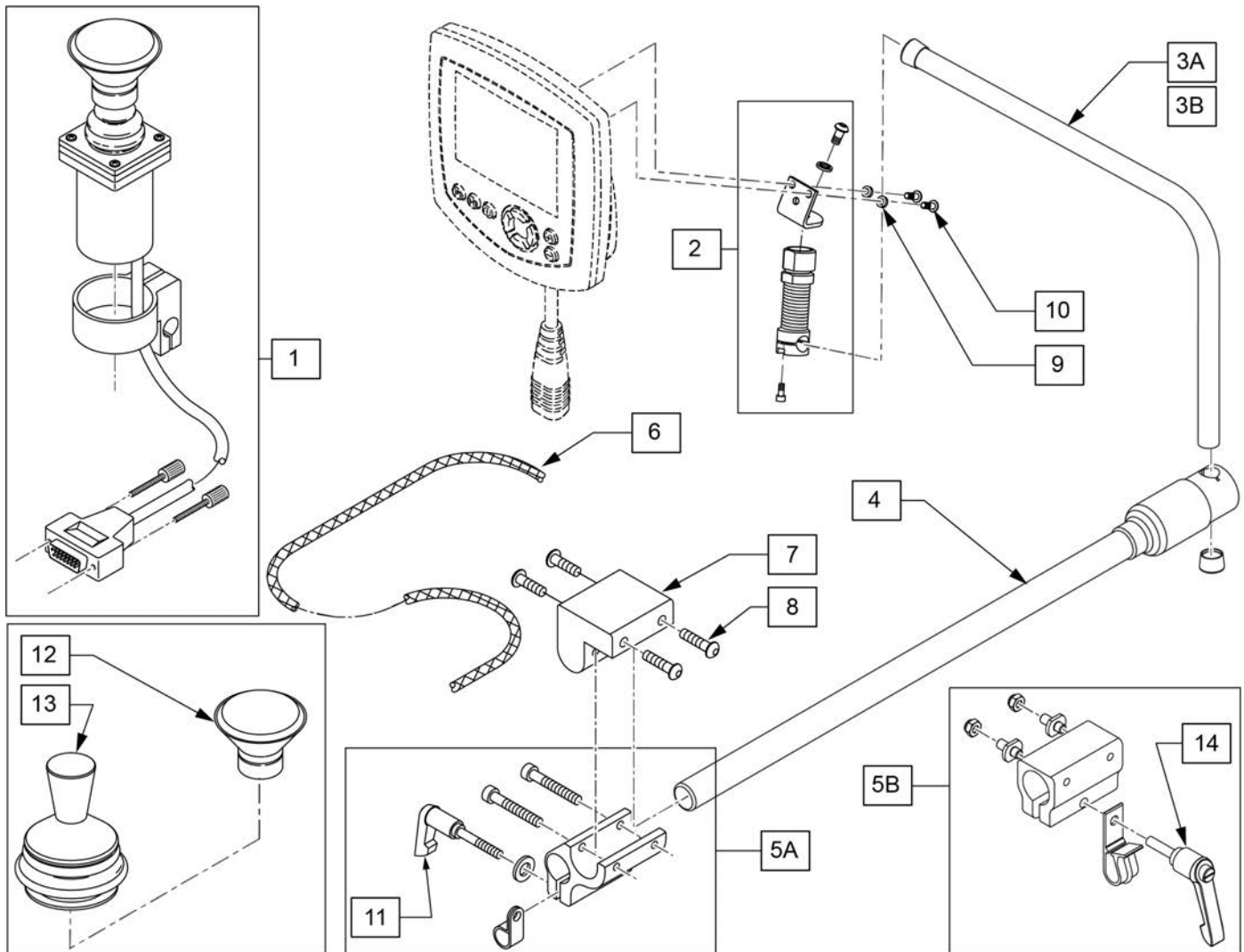
Pos.	Item Number	Description	Remarks
1A,2	139940	HEAD ARRAY ADULT W INTERFACE	Adult size
1B,2	139941	HEAD ARRAY MINI W INTERFACE	Pediatric size
3	226037	10-32 X 1 3/8 SOC C/S BLK	
4	221016	1/4-28 X .63 SHCS BLK W/PL	
5	104907	TOP COLLAR FLANGE WELDM	
6	MW027100	COL HALF RAD 3/4"THREADED BLK	
7A	LX7000	LINX CORE MOUNT HDW	10" POST
7B	LX8000	LINX CORE MNTG HDWR 8"	8" POST
8	MC100-WB	COVER 3/4"COLLAR/VINYL BLACK	
9A	112717	CLAMP HEADREST SMART SEAT	Used w/ Power Recline Only
9B	112716	CLAMP HEADREST RIGID BACK	Used w/ Trad Rehab Back Only
9C	111902	HDRST CLMP ASSY .875 ID KIT	Used w/ Curved, JAY SPO, and ART SPO Backrest
9A,9B,9C	115057	UNIVERSAL HEAD MNT KIT	
10	108637	EGG SWITCH MNTG SYSTEM	
11	LM-PL	PLUSH LAT INTERFACE PLATE	
12-16	LM115	LFC MOUNT, SWINGAWAY	
17	107411	CLAMP BALL, STEEL	
1A-7A,9A,9B,9C,10-17	115063	RNET A-ASL 10" POST KIT	

Pos.	Item Number	Description	Remarks
1A-7B,9A,9B,9C,10-17	115062	RNET A-ASL 8" POST KIT	
1B-7A,9A,9B,9C,10-17	115065	RNET P-ASL 10" POST KIT	
1B-7B,9A,9B,9C,10-17	115064	RNET P-ASL 8" POST KIT	
1A-6,8	112367	ASL HEAD ARRAY PCKG ADULT	Adult size
1B-6,8	108640	ASL HEAD ARRAY PCKG PED	Pediatric size

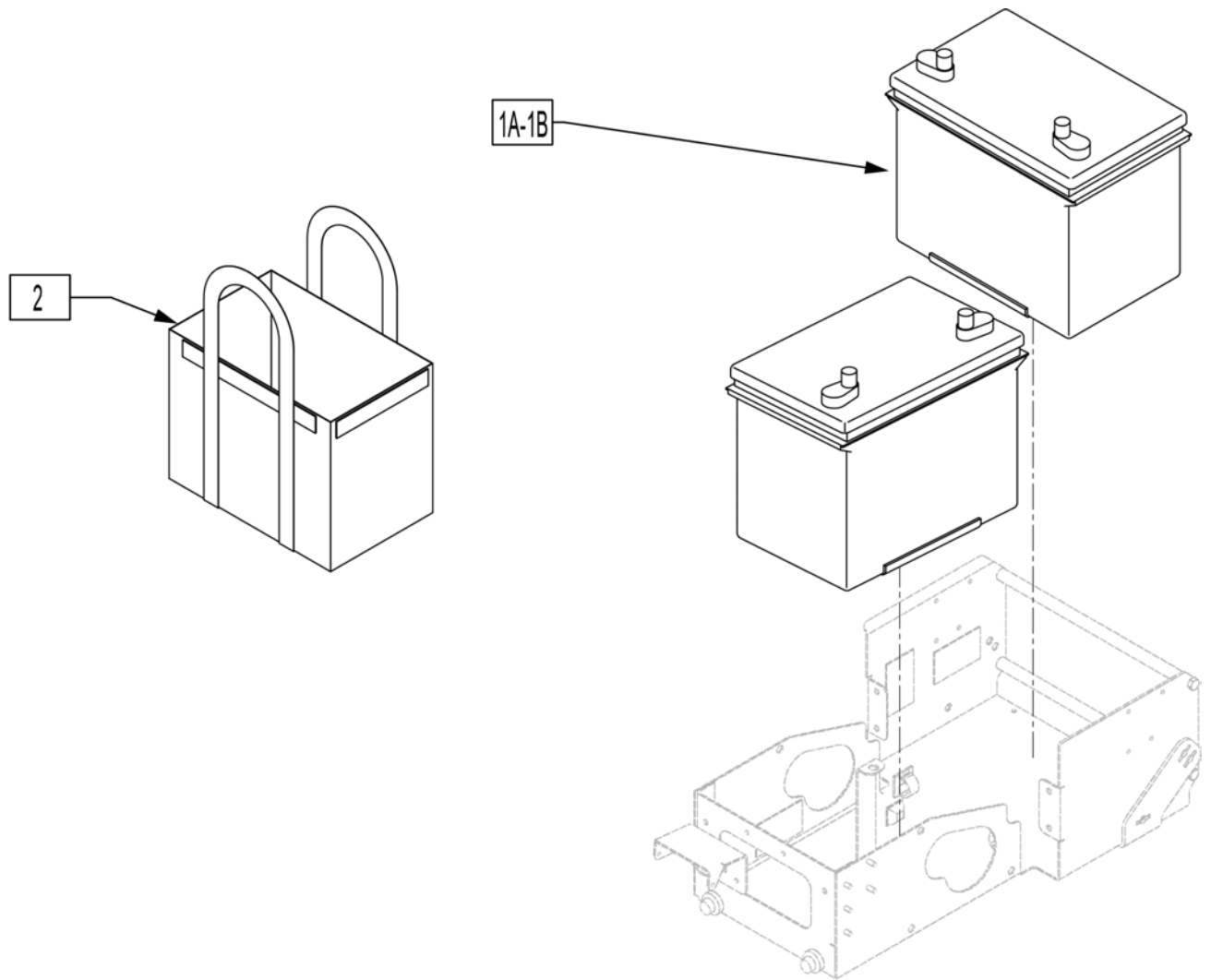
NOTE: JOYSTICK POST ACCEPTS JOYSTICK KNOBS THAT HAVE A 3/16" DIAMETER MATING HOLE.

Note: OMNI Enhanced Display has been obsoleted and can be replaced by the new OMNI 2; in addition mounting hardware may be different so please review carefully what items are needed.

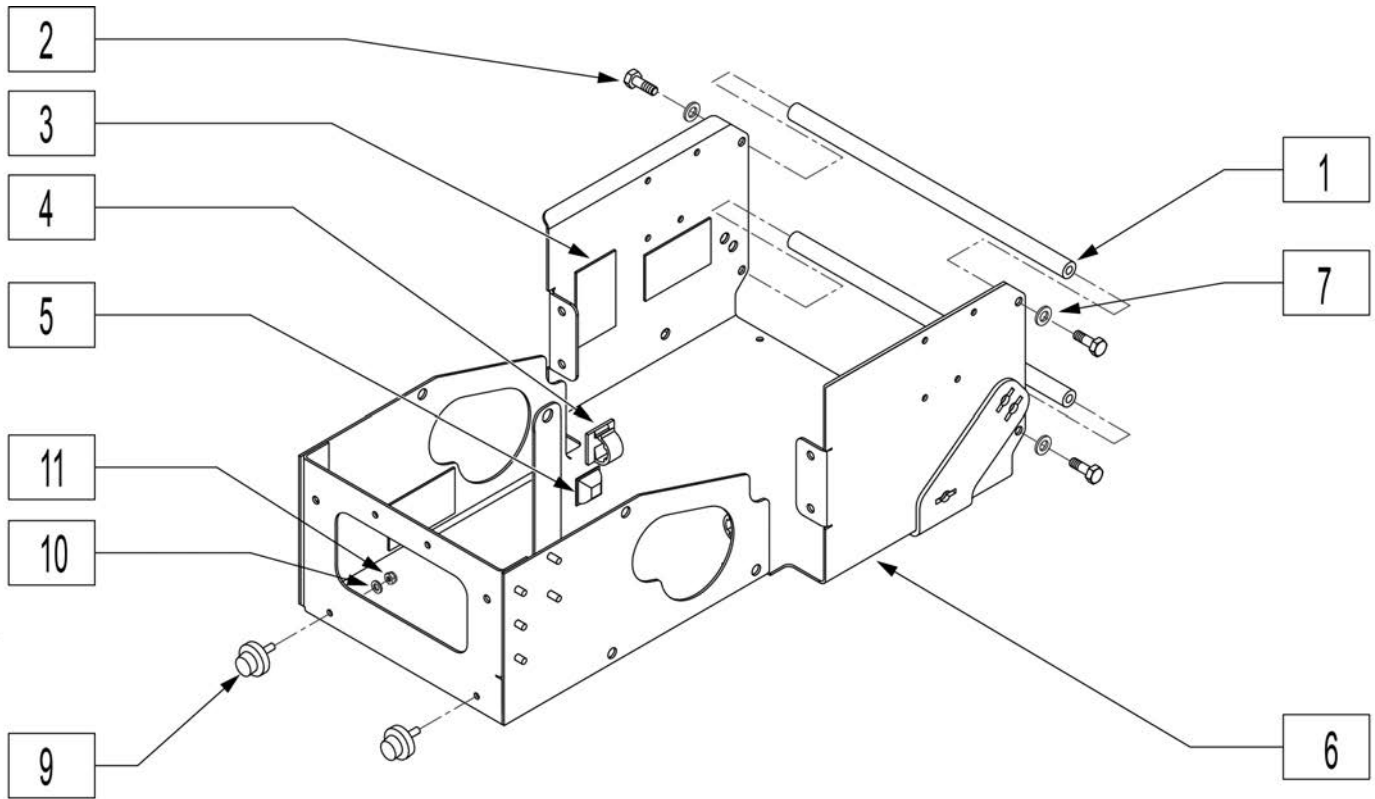
Note: if replacing a Omni with the Omni 2 and chair is equipped with a CTRL+5 and the chair was built prior to 11/15/18, the CTRL+5 will also need to be replaced; please contact Customer Service for further details.



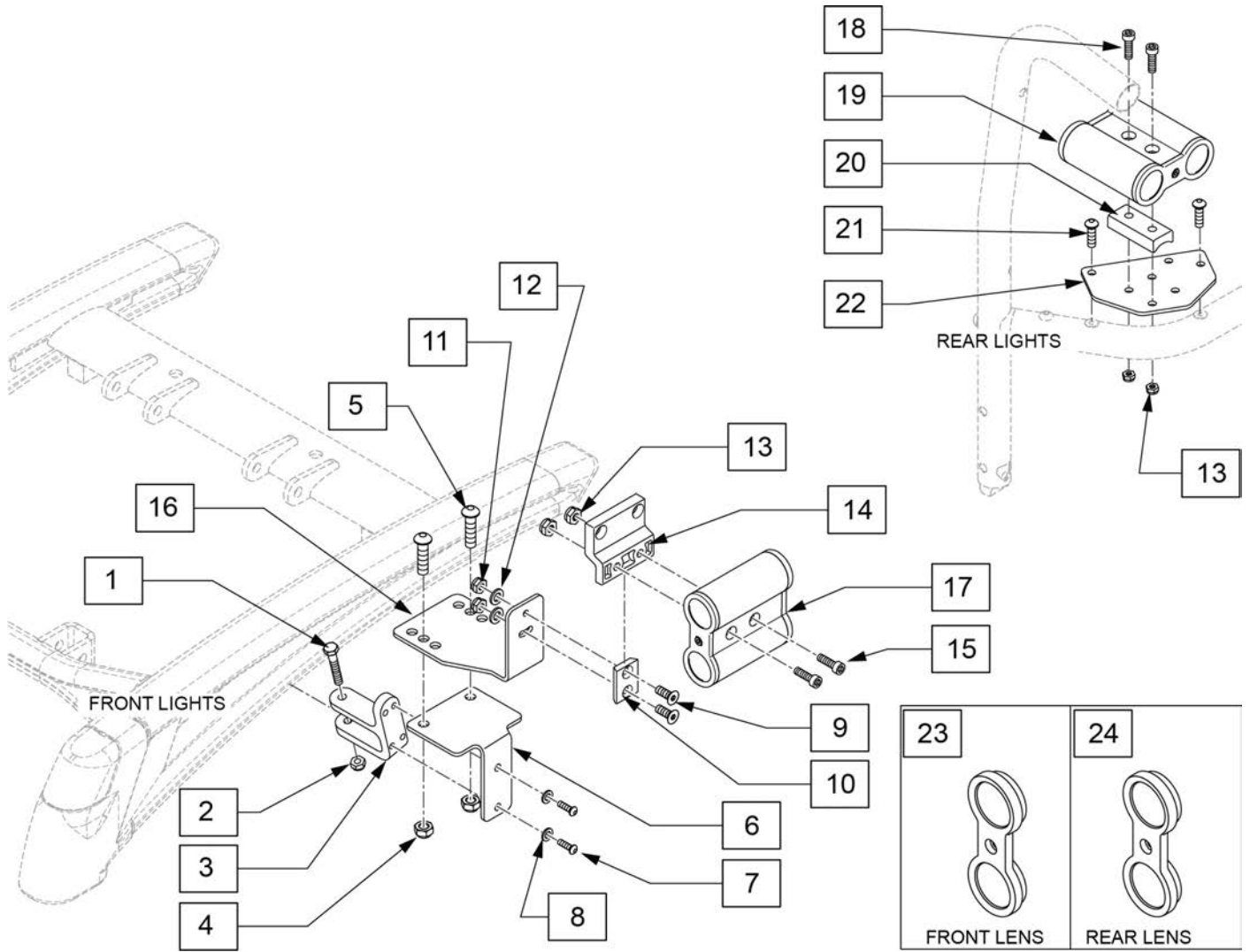
Pos.	Item Number	Description	Remarks
1	139705	PROP CHIN CONTROL W/ MINI JS	
2	886976	USCM SPRING MOUNT AS	
3A	521098	ADJ DISPLAY ARM "L" SHORT(USCM)	Used w/ OMNI only
3B	521097	ADJ DISPLAY ARM "L" (USCM)	Used w/ OMNI & Compact Joystick
4	111190	MOUNT ARM DISPLAY	
5A	012433	CNTRL ARM CLMP UNIVERSAL ASSM	Used w/ Trad Rehab Armrest
5B	159406	CNTRLR CLMP ARM ASSM RND	Used w/ ASAP Seating Armrest
6	180351	BRAIDED SLEEVING 24"	
7	551001	CONTROLLER MOUNT BLOCK	USED w/ 5A on Power Recline
8	222297	10-24 X 3/8 SOC BH C/S W/PTCH	
9	261204	#10 AN WASHER .063	
10	013143	BHCS M5 X .8 X 14 BLK W/PL	
11	349024	HNDL 10-32 X 3/4 C/A P1/P3/P5	
12	D4000	CHINCUP QTRONIX	
13	138154	KNOB&PROTECTOR D10AB JOYSTICK	
14	011049	HANDLE ADJ MODERN M5 X 20 STUD	



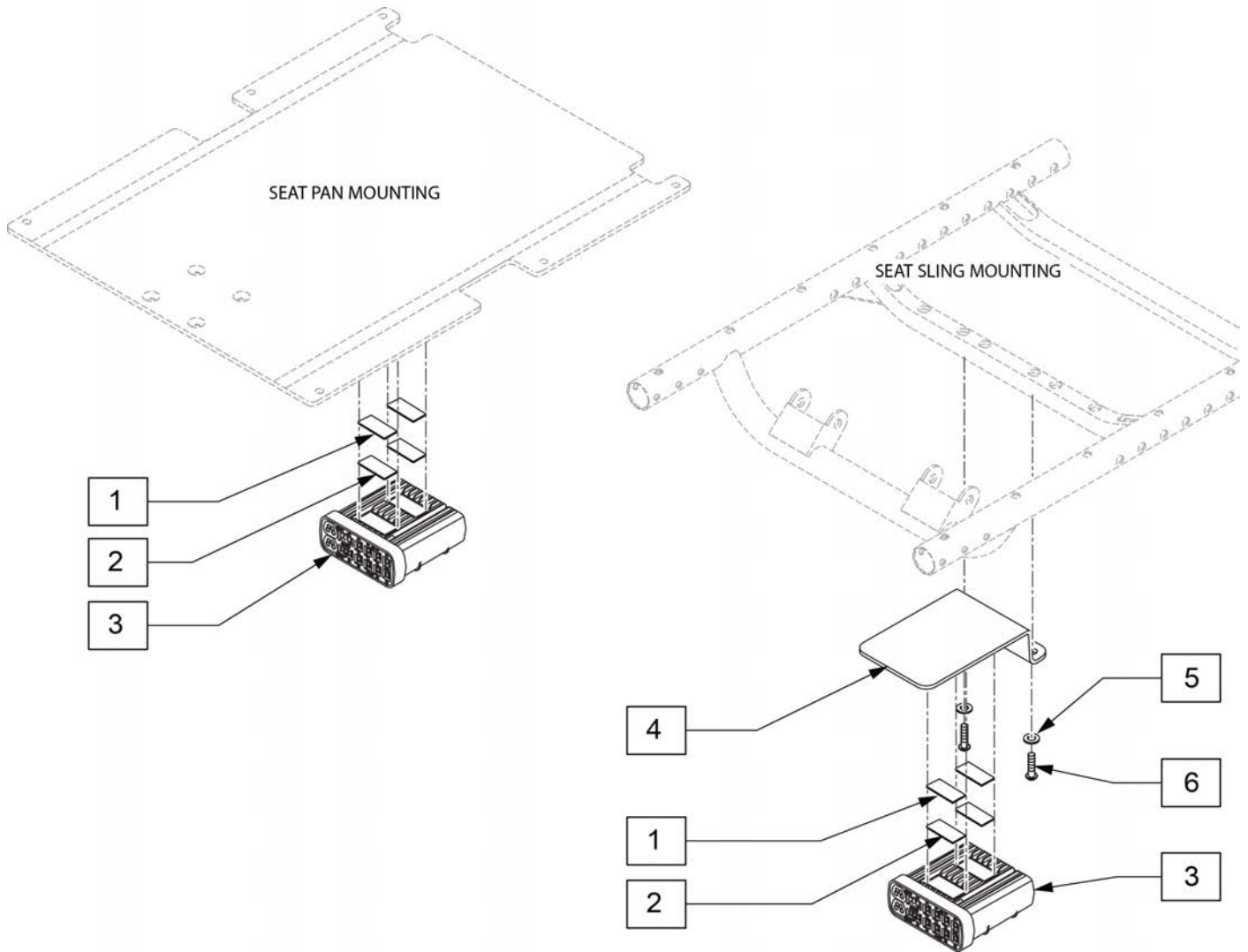
Pos.	Item Number	Description	Remarks
1A	108114	BAT 24 FEMALE TERM	replaces M-24 Gel/Group 24 w/ Std Post Batteries
2	750082	BATTERY BAG 24 NF	
1B	244625	BRIGHT WAY GROUP 24 BATTERY	



Pos.	Item Number	Description
1	506168	BATTERY SUPPORT CROSS BAR P222
2	221102	1/4-28 x 3/4 HEX C/S BLK W/PAT
3	334000	DAMPING SHEET
4	341220	BATTERY CABLE CLIP
5	349578	RUBBER SUBBASE BUMPER
7	106943	1/4 AN WASHER FLAT
8	560707	TAPERED BUMPER 1/4-20 X 1/2
9	106943	WASHER FLAT AN 1/4 ROHS
10	201136	1/4-20 NYLOCK NUT HIGH
1-10	122193	BATTERY BOX COMPLETE

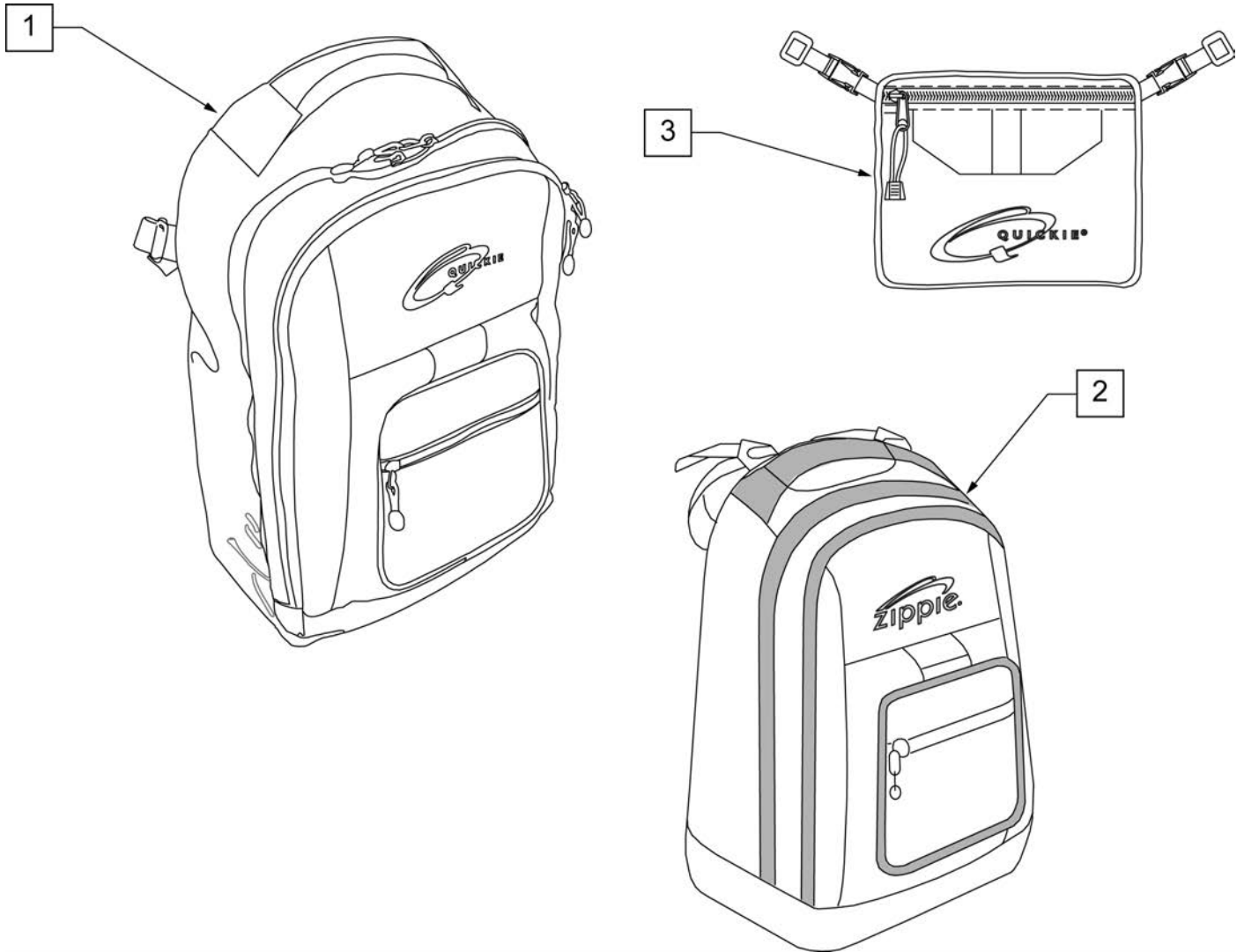


Pos.	Item Number	Description	Pos.	Item Number	Description
1	234895	M6-35 HEX	16	120929	FRONT LIGHT MNT BRKT
2	200113	M6 NYLOCK NUT	17	014168	LED LIGHT ASSEMBLY L/H FRONT
3	501848	P22 FRONT LIGHT BRACKET	17	014169	LED LIGHT ASSEMBLY R/H FRONT
4	210085	NUT HEX NYLOCK M8 BLACK	19	014381	LED LIGHT ASSEMBLY L/H REAR
5	235007	M8 X 1.25 X 16 BH C/S	19	014380	LED LIGHT ASSEMBLY R/H REAR
6	120914	FRONT LIGHT BRACKET P2	20	013614-001	LED ADAPTER A
7	103185-002	BHCSM6X1X10FULLNP	21	XM2141S	10-32X.50 BHCS W/PATCH
8	106943	1/4 AN WASHER FLAT	22	120916	REAR LIGHT PLATE
9	103499-006	FHCSM5X0.8X16FULLNP	23	013618	LED FRONT LENSE COVER
10	011064	PLATE RELEASE LIGHT ASSY	24	013617	LED REAR LENSE COVER
11	220121	NUT HEX NYLOCK M5 BLACK	1-3,6-8	122184	FRONT LIGHT FRAME ATT BRKT P222
12	261524	#10 WASHER LOCK SS	4,5,9-12,15	122186	FRONT LIGHT LIGHT ATT BRKT P222
13	210084	NUT HEX NYLOCK M6 BLACK	13,18,20-22	122187	REAR LIGHT ATT HDWR KIT P222
14	014176	LED FRNT LIGHT ADAPTOR			

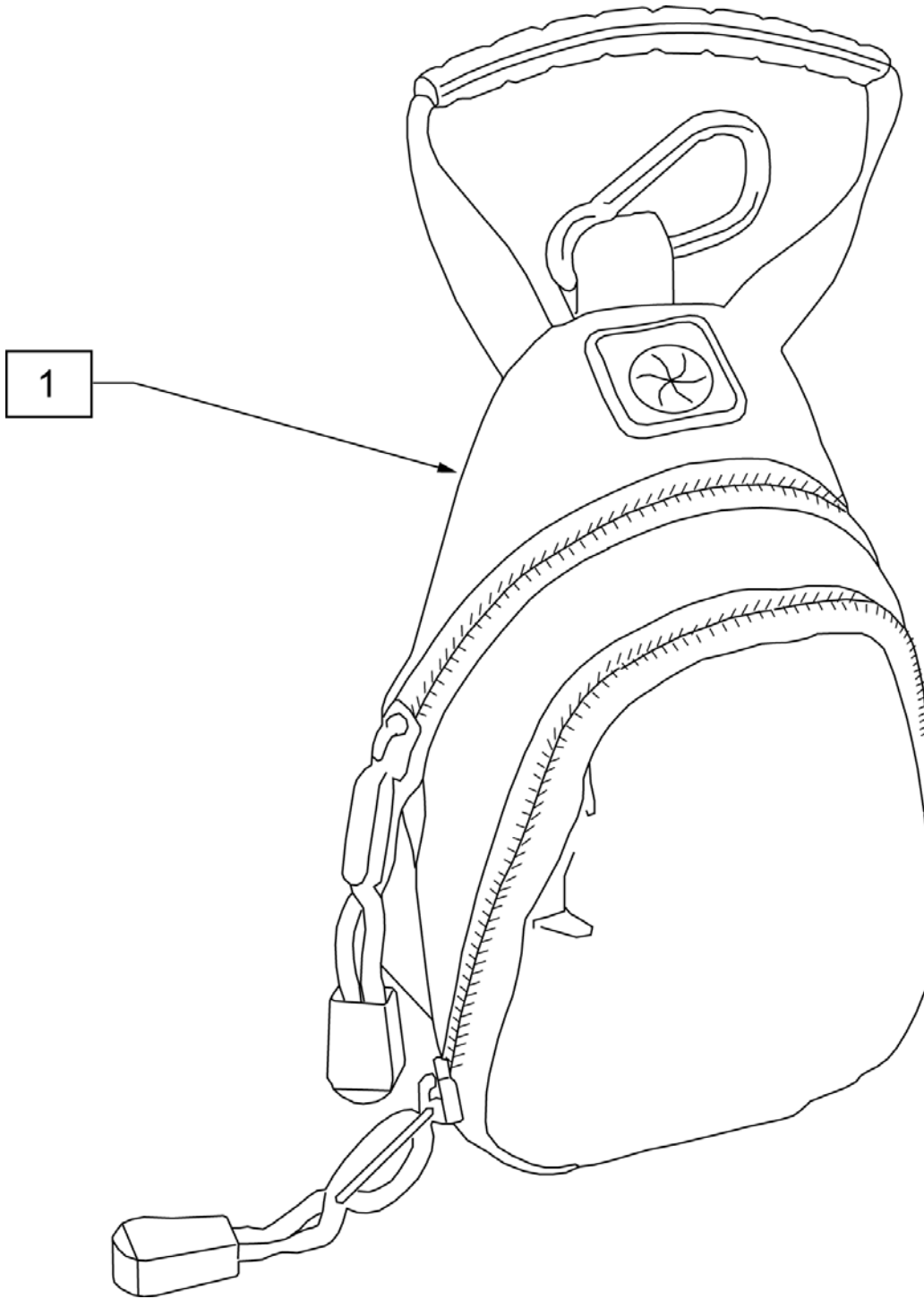


Pos.	Item Number	Description	Remarks
1	698041	ADHESIVE POLY 1" X 2.5 MALE	
2	698045	ADHESIVE POLY 1" X 2.5 FEMALE	
4	505678	ALM MOUNT SEAT FRAME	
5	106943	1/4 AN WASHER FLAT	
6	221097	1/4-28 X 5/8 HEX C/S BZ	
1-3	122177	MODULE INTEL ST W/ LIGHTS P222	referred to as ISM and used on chairs with Lighting

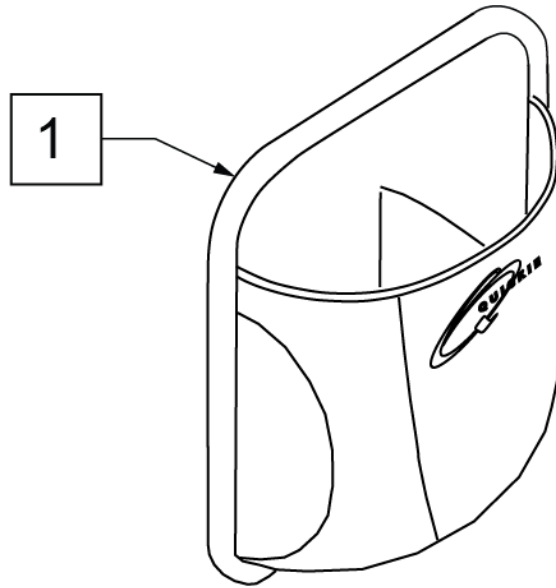
NOTE: KIDS BACKPACKS DO NOT HAVE ADJUSTABLE STRAPS W/ BUCKLES.



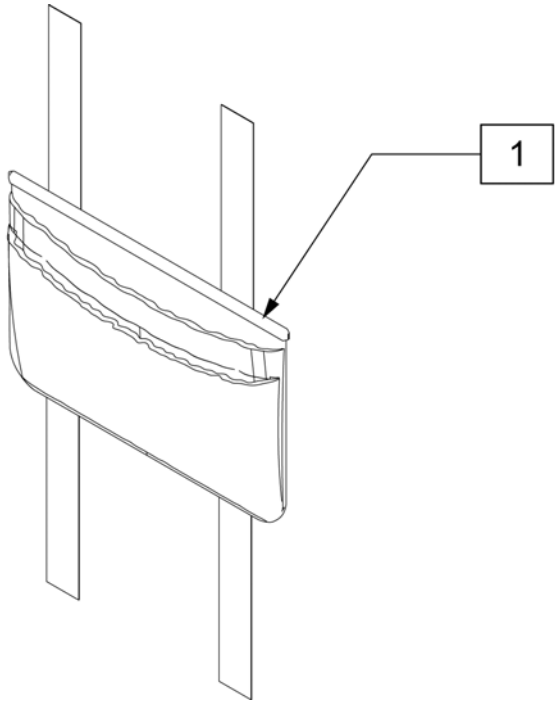
Pos.	Item Number	Description	Remarks
1	750115	BACK PACK QUICKIE	Overall dimensions:width 12.5", height 18.5", depth 6.5"
2	104572	BACKPACK ZIPIE	Overall dimensions: width 12", height 16.5", depth 4.5"
3	750307	SEAT POUCH QUICKIE	Dimensions: width 8.5", height 6", depth top 2.5", depth bottom 3.5"



Pos.	Item Number	Description
1	109229	CELL PHONE PACK (ORANGE)

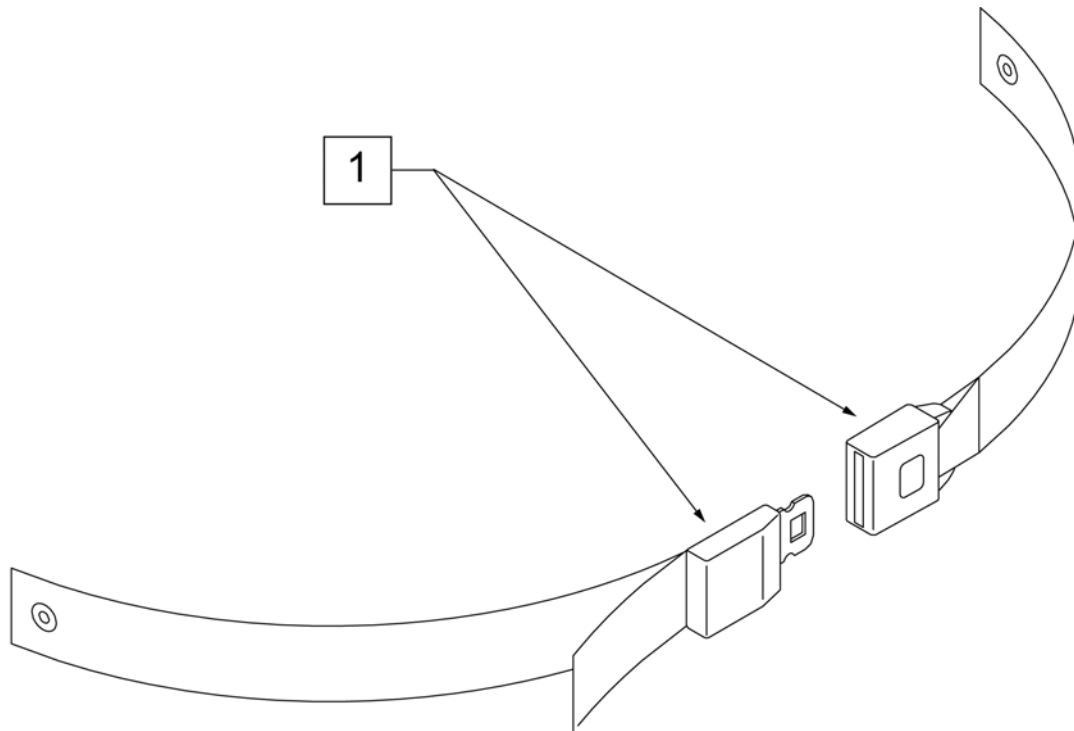


Pos.	Item Number	Description	Remarks
1	013475	QUICKIE SIDE POCKET	Size: 6.5"x 6.5"x 2"

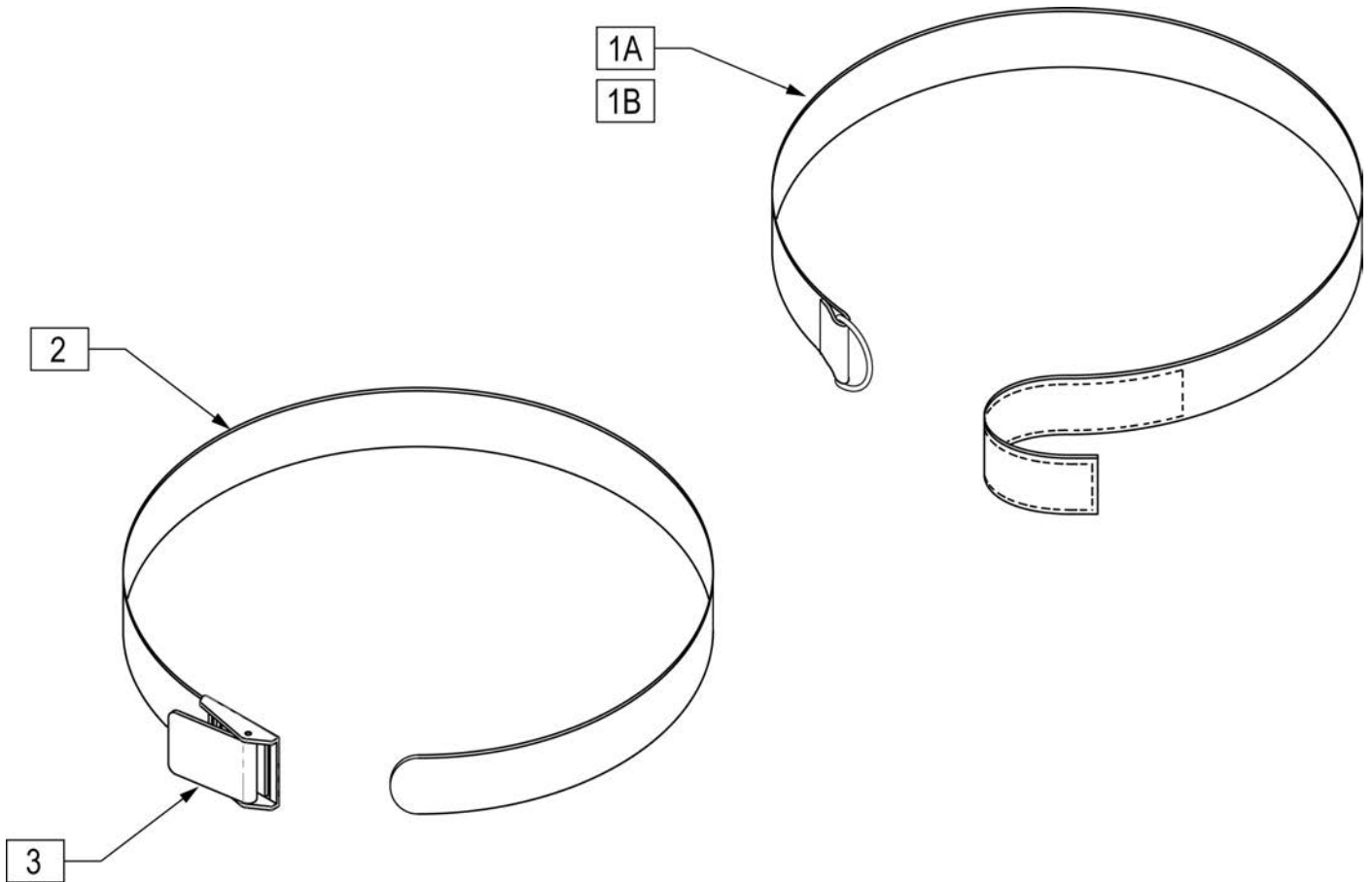


Pos.	Item Number	Description
1	011687	POWER CORD POUCH

NOTE: when mounting Positioning Belts to the GT or GTI, it is recommended to attach the belt by using the Backrest Support Bracket Hardware.

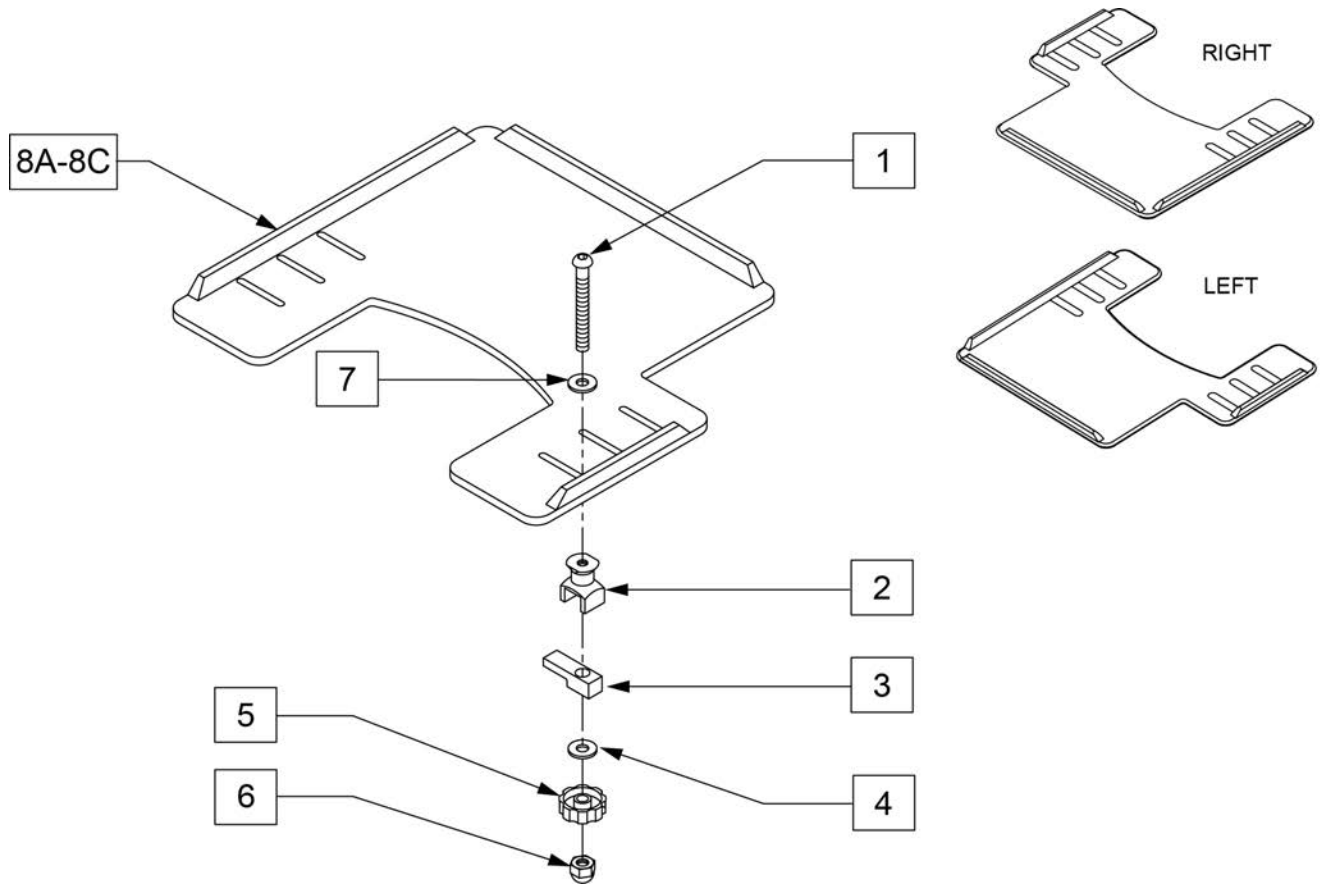


Pos.	Item Number	Description	Remarks
1	750276	1 1/2" POSITION BELT	AUTOSTYLE-64" Max length of belt.

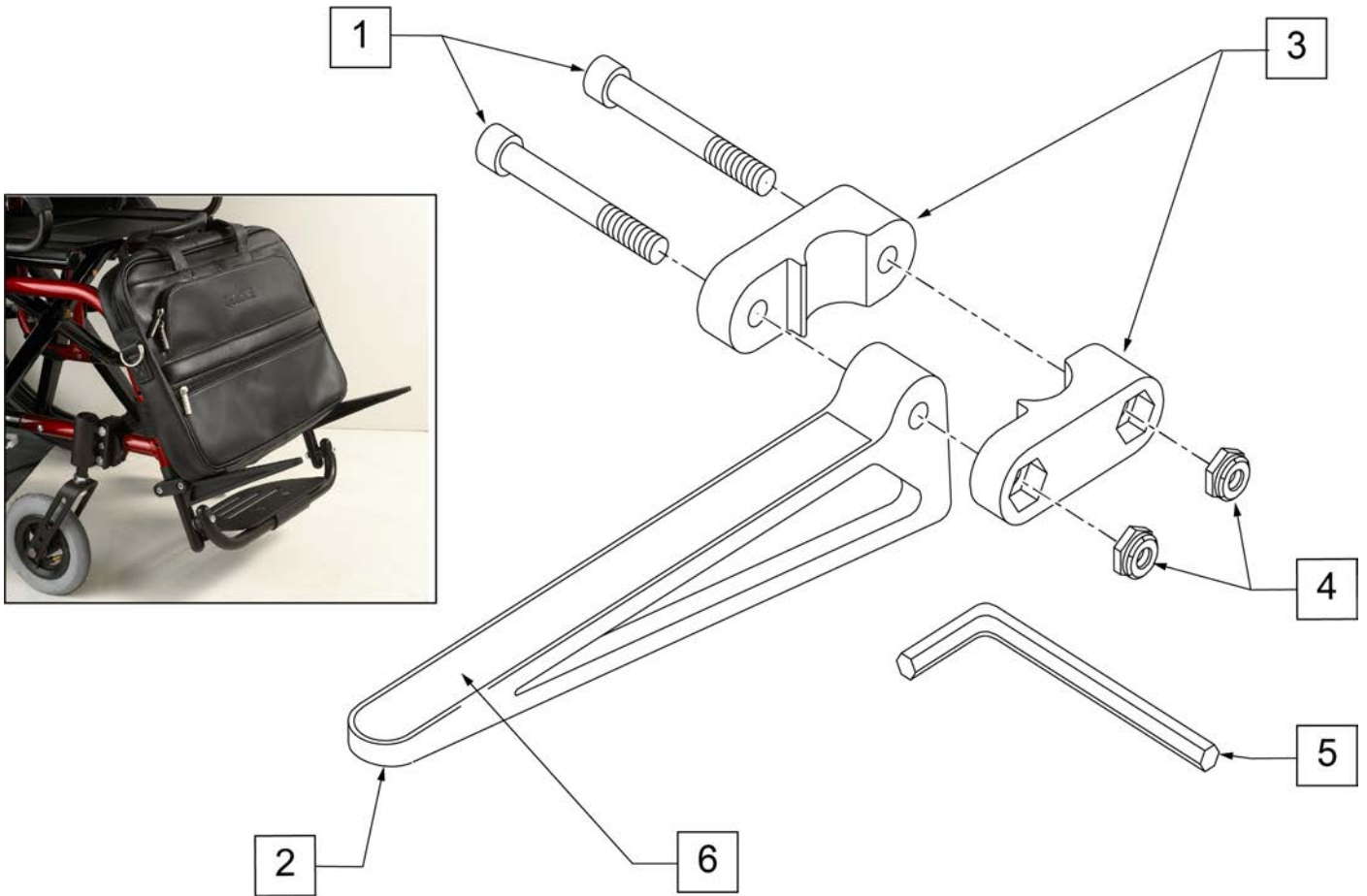


Pos.	Item Number	Description
1A	750200	POSITIONING BELT LONG VELCRO
1B	750204	POSITIONING BELT SHORT VELCRO
2,3	750210	POSITIONING BELT LONG BUCKLE
2,3	750214	POSITIONING BELT SHORT BUCKLE
3	560200	2" PLASTIC BUCKLE

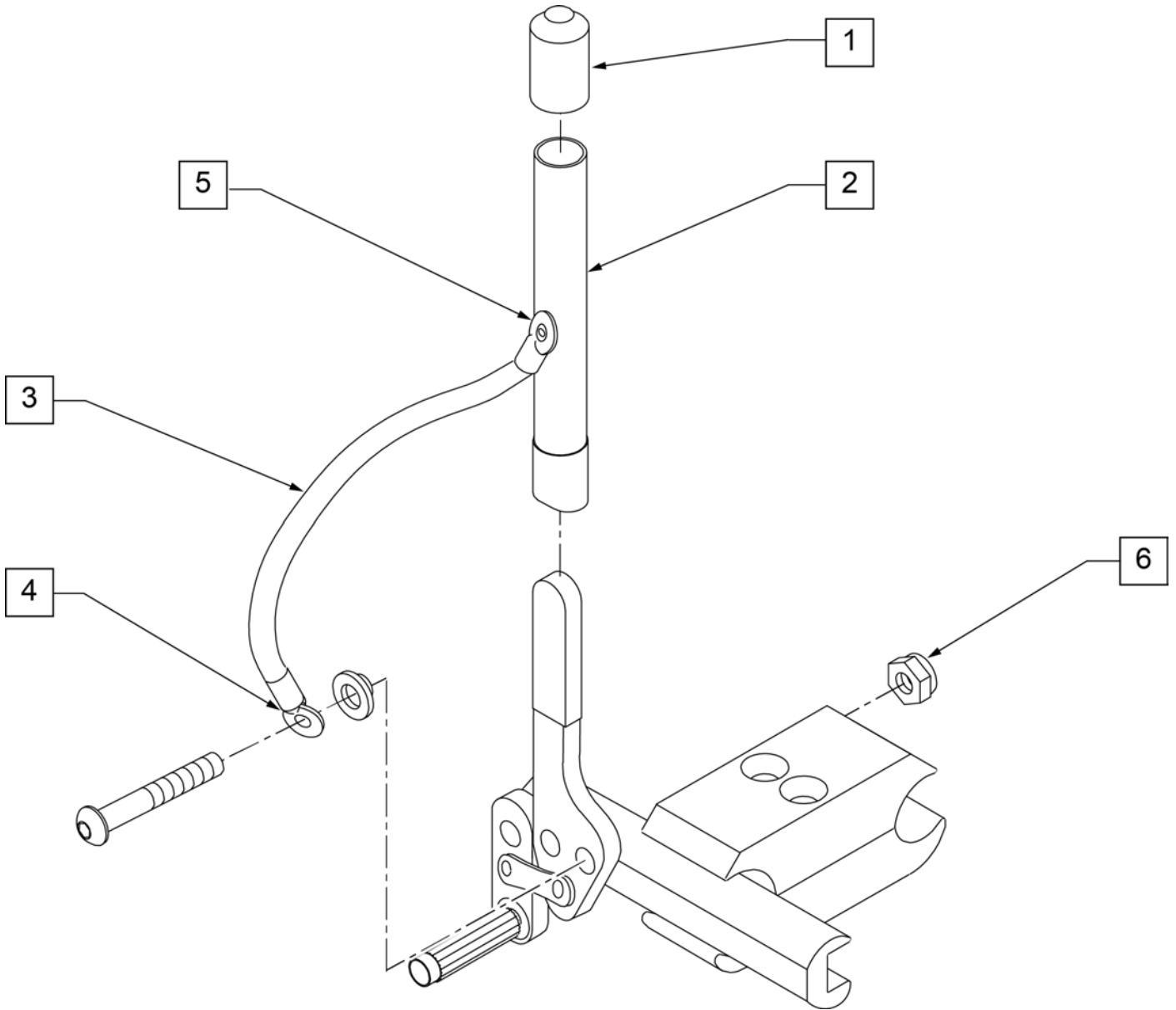
NOTE: WHEN ADDING A TRAY TO AN EXISTING CHAIR WITH DESK OR FULL LENGTH ARM PADS, ADD 1" TO CURRENT SEAT WIDTH TO ACHIEVE THE BEST TRAY SIZE.



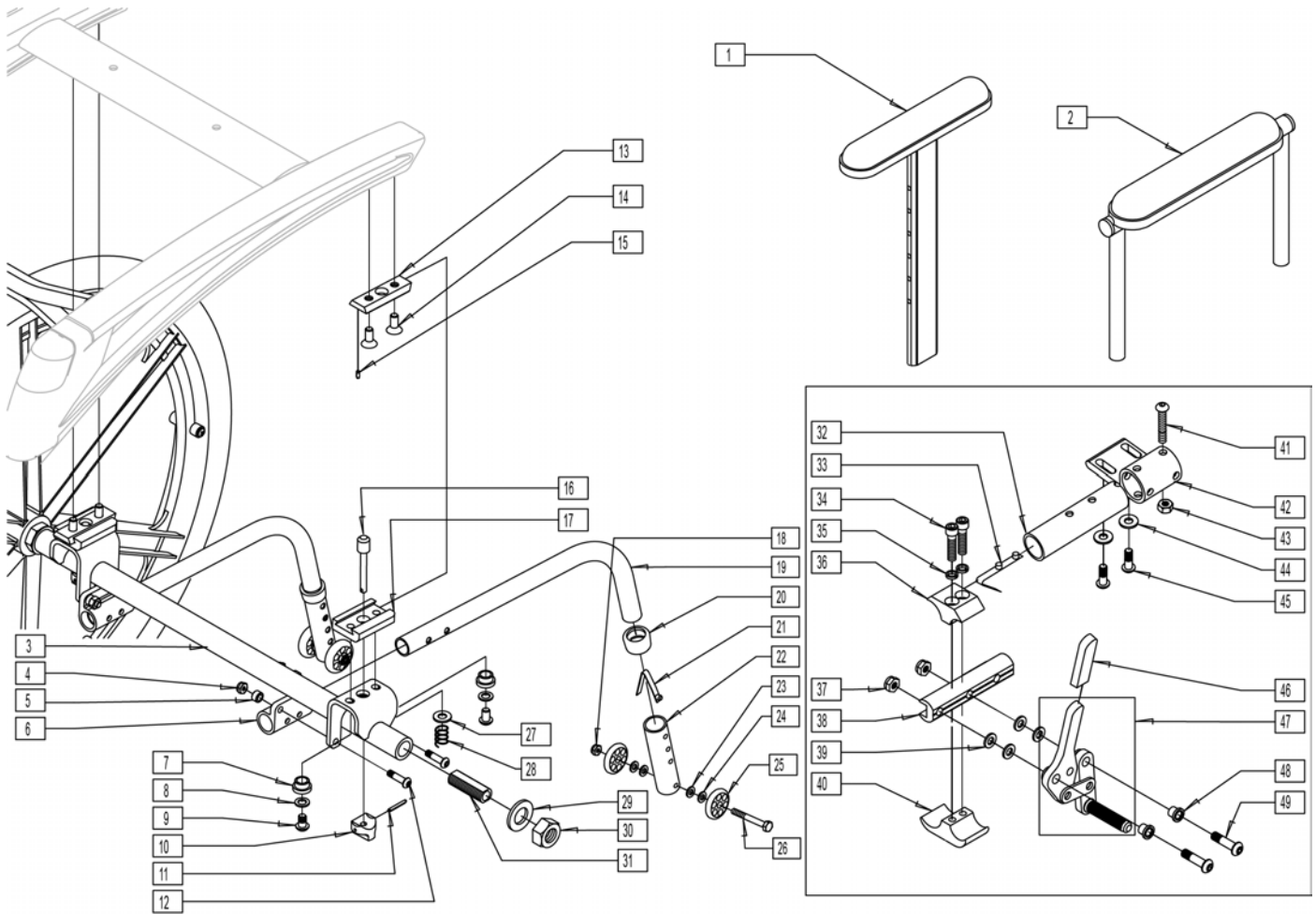
Pos.	Item Number	Description	Remarks
1	2021	5/16-18 x 2 3/4 BUTTON HD C/S	
2	14240	TRAY BUSHING	
3	14230	TRAY LOCK BAR	
4	2705	1/4" FLAT WASHER	
5	14220P	TRAY KNOB	
6	202114	5/16-18 ACORN LOCK NUT	
7	2709	.625X.315X.031 NYLON WASHER	
8A	562625	TRAY TOP W/RAIL SM PWR (12"-13")	Right-Cutout fits 12"-13" wide chairs
8B	562626	TRAY TOP W/RAIL MED PWR (14"-16")	Right-Cutout fits 14"-16" wide chairs
8C	562627	TRAY TOP W/RAIL LRG PWR (17"-20")	Right-Cutout fits 17"-20" wide chairs
8A	118094	TRAY TOP W/RAIL SM PWR LH	Left-Cutout fits 12"-13" wide chairs
8B	118095	TRAY TOP W/RAIL MED PWR LH	Left-Cutout fits 14"-16" wide chairs
8C	118096	TRAY TOP W/RAIL LG PWR LH	Left-Cutout fits 17"-20" wide chairs
1-7	881053	TRAY HDWR ADJ ARM PWR	



Pos.	Item Number	Description	Remarks
1	106975	1/4-28 x 1 1/4 SOC C/S	
2	561105	CADDY ARM	Clamps on to Extension Tube (3/4" round and D2); Caddy Arm length is 7 1/2"
3	561104	CADDY CLAMP	Clamps on to Extension Tube (3/4" round and D2)
4	106935	1/4-28 NYLOCK NUT THIN	
5	349998	3/16" ALLEN WRENCH	
6	580050	CADDY TAPE	
1-6	902350	QUICKIE CADDY (PR)	



Pos.	Item Number	Description	Remarks
1	560600	1-1/2" x .705 x .187 FOAM GRIP	
5	240104	1 RIVET POP SD44BSLF BLK	
6	106935	NUT NYLOCK THIN 1/4-28 ROHS	
1-6	161931	WHL LOCK 6" EXT TUBE ASSM (EA)	
1-6	920032	WHEEL LOCK 6" EXT TUBES (PR)	PAIR



Pos.	Item Number	Description	Remarks
1	880192	HT ADJ UPPR ARM ASSM PWR DSK R	
1	880198	HT ADJ UPPR ARM ASSM PWR DSK L	
1	880193	HT ADJ UPPR ARM ASSM PWR FL R	
1	880199	HT ADJ UPPER ARM ASM PWR FL L	
2	881446	DUALPOST UHA AREST RH INC DESK	
2	881447	DUALPOST UHA AREST LH INC DESK	
2	881448	DUALPOST UHA AREST RH INC FULL	
2	881449	DUALPOST UHA AREST LH INC FULL	
2	881446	DUALPOST UHA AREST RH INC DESK	
2	881447	DUALPOST UHA AREST LH INC DESK	
2	881448	DUALPOST UHA AREST RH INC FULL	
2	881449	DUALPOST UHA AREST LH INC FULL	
3	540092	MANUAL CONV WLDMNT 18" FRAME	
3	540093	MANUAL CONV WLDMNT 20" FRAME	
3	540094	MANUAL CONV WLDMNT 22" FRAME	
3	540099	MANUAL CONV WLDMNT 24"FRAME	
3	540099	MANUAL CONV WLDMNT 24"FRAME	
4	204110	1/4-28 NYLOCK NUT BLK ZN	
5	481380	ANTI-TIP SPACER XTR	
6	540187	ANTI-TIP RECEIVER XTR	
7	481477	MAN CONV BRKT BUSHING	

Pos.	Item Number	Description	Remarks
8	263100	5/16 AN WASHER FLAT	
9	222231	5/16-18 x 5/8 BH CS BLK W/PTCH	
10	483756	PLUNGER KNOB	
11	341149	1/8 x 1 ROLL PIN	
12	227110	1/4-28 x 1 BH C/S BLK ZN	
14	226311	5/16-18 x 3/4 FH C/S W/PATCH	
13,15	887247	MANUAL CONV DOVETAIL ASSEMBLY	
16	481282	MANUAL CONVERSION PLUNGER P222	
17	551006	MANUAL CONVERSION RECEIVER P222	
18	882974	ANTI-TIP TB EXTND REG R W/SNAP	
18	882975	ANTI-TIP TB EXTND REG L W/SNAP	
18-20	882922	A/T REG EXTND W/LNG SLV R BLK	
18-20	882923	A/T REG EXTND W/LNG SLV L BLK	
21	106943	1/4 AN WASHER FLAT	
22	321701	S/A HANGER SPRING P300	
23	116570	WASHER FLAT 3/4 X 1.25 BLK ZNC	
24	116569	NUT HEX 3/4-16 BLACK ZINC	
25	481065	AXLE SLEEVE SS	
26	521569	BRAKE MOUNT TUBE P2	
27	301109	SNAP BUTTON DUAL ONE SIDE	
28	107032	1/4-28 x 1 SOC C/S BLK	
29	262114	1/4 WASHER HI COLLAR LOCK ZN	
30	550659	CLAMP 1 1/4" RECESS HALF BLK	
31	106935	NUT NYLOCK THIN 1/4-28 ROHS	
32	550374	WHL LCK SLIDE BLOCK 3 1/2" BLK	3.5" long
33	561028	1/4" NYLON WASHER	
34	550658	CLAMP 1 1/4" THREADED BLK	
35	227130	1/4-28 x 1 1/2 BH C/S BLK ZN	
36	550493	BRAKE HOUSING P2	
37	202300	1/4-28 NYLOCK NUT THIN BLK ZN	
38	106943	1/4 AN WASHER FLAT	
39	226064	1/4-28 x 3/4 BH C/S BLK W/PTCH	
40	560500-QU	HB PLASTIC COVER	
40,41	881748	WHEEL LOCK ASSM R PUSH	
40,41	881749	WHEEL LOCK ASSM L PUSH	
42	560126	.250 ID .312 OD BUSHING PLST	
43	226110	1/4-28 x 1 BH C/S	
1-43	887550	CONV 14W DP DESK PAD R P222	
1-43	887551	CONV 14W DP DESK PAD L P222	
1-43	887552	CONV 14W DP FULL PAD R P222	
1-43	887553	CONV 14W DP FULL PAD L P222	
1-43	887554	CONV 14W DP DESK W/F PD R P222	
1-43	887555	CONV 14W DP DESK W/F PD L P222	
1-43	887556	CONV 14W DP FULL W/F PD R P222	
1-43	887557	CONV 14W DP FULL W/F PD L P222	
1-43	887558	CONV 14W HT ADJ DSK PAD R P222	
1-43	887559	CONV 14W HT ADJ DSK PAD L P222	
1-43	887560	CONV 14W HT ADJ FLL PAD R P222	
1-43	887561	CONV 14W HT ADJ FLL PAD L P222	
1-43	887562	CONV 14W HT ADJ DSK W/F R P222	
1-43	887563	CONV 14W HT ADJ DSK W/F L P222	
1-43	887564	CONV 14W HT ADJ FLL W/F R P222	
1-43	887565	CONV 14W HT ADJ FLL W/F L P222	
1-43	887566	CONV 15W DP DESK PAD R P222	
1-43	887567	CONV 15W DP DESK PAD L P222	
1-43	887568	CONV 15W DP FULL PAD R P222	

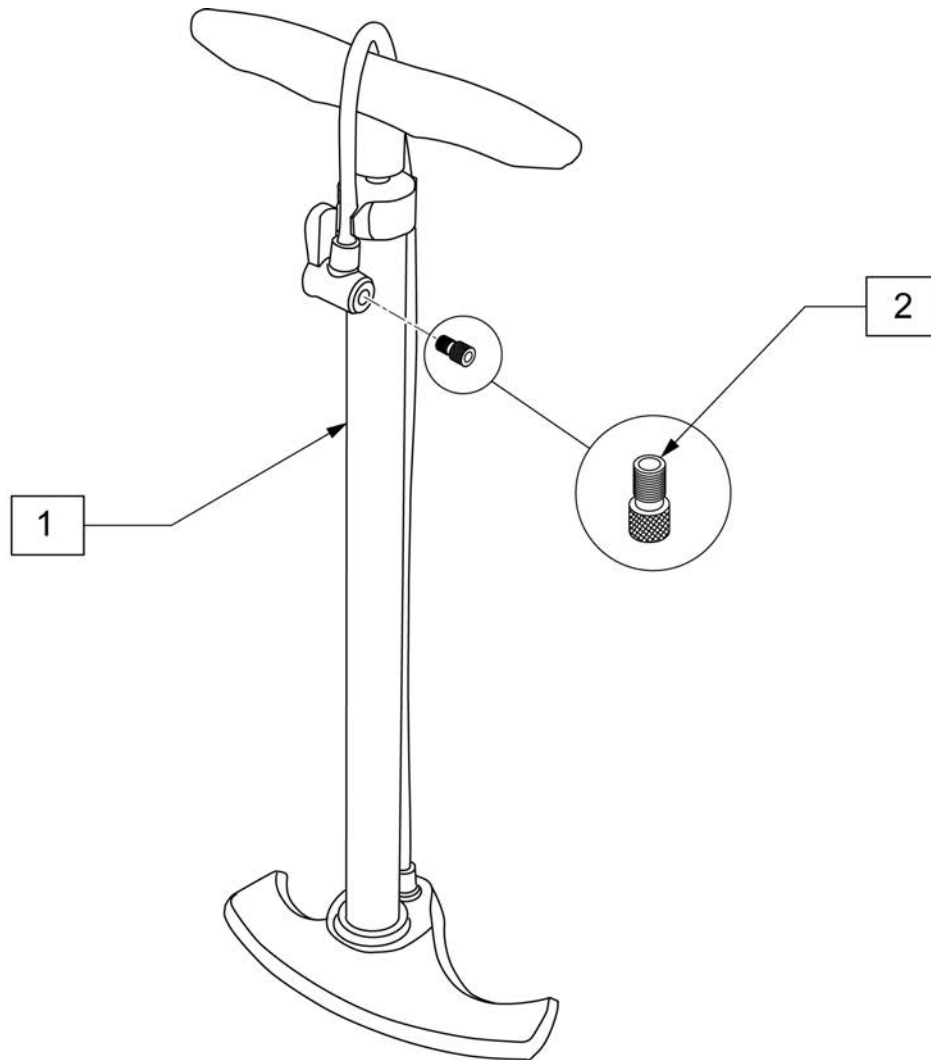
Pos.	Item Number	Description	Remarks
1-43	887569	CONV 15W DP FULL PAD L P222	
1-43	887570	CONV 15W DP DSK W/F PAD R P222	
1-43	887571	CONV 15W DP DSK W/F PAD L P222	
1-43	887572	CONV 15W DP FLL W/F PAD R P222	
1-43	887573	CONV 15W DP FLL W/F PAD L P222	
1-43	887574	CONV 15W HT ADJ DSK PAD R P222	
1-43	887575	CONV 15W HT ADJ DSK PAD L P222	
1-43	887576	CONV 15W HT ADJ FLL PAD R P222	
1-43	887577	CONV 15W HT ADJ FLL PAD L P222	
1-43	887578	CONV 15W HT ADJ DSK W/F R P222	
1-43	887579	CONV 15W HT ADJ DSK W/F L P222	
1-43	887580	CONV 15W HT ADJ FLL W/F R P222	
1-43	887581	CONV 15W HT ADJ FLL W/F L P222	
1-43	887582	CONV 16W DP DESK PAD R P222	
1-43	887583	CONV 16W DP DESK PAD L P222	
1-43	887584	CONV 16W DP FULL PAD R P222	
1-43	887585	CONV 16W DP FULL PAD L P222	
1-43	887586	CONV 16W DP DSK W/F PAD R P222	
1-43	887587	CONV 16W DP DSK W/F PAD L P222	
1-43	887588	CONV 16W DP FLL W/F PAD R P222	
1-43	887589	CONV 16W DP FLL W/F PAD L P222	
1-43	887590	CONV 16W HT ADJ DSK PAD R P222	
1-43	887591	CONV 16W HT ADJ DSK PAD L P222	
1-43	887592	CONV 16W HT ADJ FLL PAD R P222	
1-43	887594	CONV 16W HT ADJ DSK W/F R P222	
1-43	887595	CONV 16W HT ADJ DSK W/F L P222	
1-43	887596	CONV 16W HT ADJ FLL W/F R P222	
1-43	887597	CONV 16W HT ADJ FLL W/F L P222	
1-43	887598	CONV 17W DP DESK PAD R P222	
1-43	887599	CONV 17W DP DESK PAD L P222	
1-43	887600	CONV 17W DP FULL PAD R P222	
1-43	887601	CONV 17W DP FULL PAD L P222	
1-43	887602	CONV 17W DP DSK W/F R P222	
1-43	887603	CONV 17W DP DSK W/F L P222	
1-43	887604	CONV 17W DP FLL W/F R P222	
1-43	887605	CONV 17W DP FLL W/F L P222	
1-43	887606	CONV 17W HT ADJ DSK PAD R P222	
1-43	887607	CONV 17W HT ADJ DSK PAD L P222	
1-43	887608	CONV 17W HT ADJ FLL PAD R P222	
1-43	887609	CONV 17W HT ADJ FLL PAD L P222	
1-43	887610	CONV 17W HT ADJ DSK W/F R P222	
1-43	887611	CONV 17W HT ADJ DSK W/F L P222	
1-43	887612	CONV 17W HT ADJ FLL W/F R P222	
1-43	887613	CONV 17W HT ADJ FLL W/F L P222	
1-43	887614	CONV 18W DP DESK PAD R P222	
1-43	887615	CONV 18W DP DESK PAD L P222	
1-43	887616	CONV 18W DP FULL PAD R P222	
1-43	887617	CONV 18W DP FULL PAD L P222	
1-43	887618	CONV 18W DP DSK W/F PAD R P222	
1-43	887619	CONV 18W DP DSK W/F PAD L P222	
1-43	887620	CONV 18W DP FLL W/F PAD R P222	
1-43	887621	CONV 18W DP FLL W/F PAD L P222	
1-43	887622	CONV 18W HT ADJ DSK PAD R P222	
1-43	887623	CONV 18W HT ADJ DSK PAD L P222	
1-43	887624	CONV 18W HT ADJ FLL PAD R P222	
1-43	887625	CONV 18W HT ADJ FLL PAD L P222	

Pos.	Item Number	Description	Remarks
1-43	887626	CONV 18W HT ADJ DSK W/F R P222	
1-43	887627	CONV 18W HT ADJ DSK W/F L P222	
1-43	887628	CONV 18W HT ADJ FLL W/F R P222	
1-43	887629	CONV 18W HT ADJ FLL W/F L P222	
1-43	887630	CONV 19W DP DESK PAD R P222	
1-43	887631	CONV 19W DP DESK PAD L P222	
1-43	887632	CONV 19W DP FULL PAD R P222	
1-43	887633	CONV 19W DP FULL PAD L P222	
1-43	887634	CONV 19W DP DSK W/F PAD R P222	
1-43	887635	CONV 19W DP DSK W/F PAD L P222	
1-43	887636	CONV 19W DP FLL W/F PAD R P222	
1-43	887637	CONV 19W DP FLL W/F PAD L P222	
1-43	887638	CONV 19W HT ADJ DSK PAD R P222	
1-43	887639	CONV 19W HT ADJ DSK PAD L P222	
1-43	887640	CONV 19W HT ADJ FLL PAD R P222	
1-43	887641	CONV 19W HT ADJ FLL PAD L P222	
1-43	887642	CONV 19W HT ADJ DSK W/F R P222	
1-43	887643	CONV 19W HT ADJ DSK W/F L P222	
1-43	887644	CONV 19W HT ADJ FLL W/F R P222	
1-43	887645	CONV 19W HT ADJ FLL W/F L P222	
1-43	887646	CONV 20W DP DESK PAD R P222	
1-43	887647	CONV 20W DP DESK PAD L P222	
1-43	887648	CONV 20W DP FULL PAD R P222	
1-43	887649	CONV 20W DP FULL PAD L P222	
1-43	887650	CONV 20W DP DSK W/F PAD R P222	
1-43	887651	CONV 20W DP DSK W/F PAD L P222	
1-43	887652	CONV 20W DP FLL W/F PAD R P222	
1-43	887653	CONV 20W DP FLL W/F PAD L P222	
1-43	887654	CONV 20W HT ADJ DSK PAD R P222	
1-43	887655	CONV 20W HT ADJ DSK PAD L P222	
1-43	887656	CONV 20W HT ADJ FLL PAD R P222	
1-43	887657	CONV 20W HT ADJ FLL PAD L P222	
1-43	887658	CONV 20W HT ADJ DSK W/F R P222	
1-43	887659	CONV 20W HT ADJ DSK W/F L P222	
1-43	887660	CONV 20W HT ADJ FLL W/F R P222	
1-43	887661	CONV 20W HT ADJ FLL W/F L P222	
1-43	887662	CONV 22W DP DESK PAD R P222	
1-43	887663	CONV 22W DP DESK PAD L P222	
1-43	887664	CONV 22W DP FULL PAD R P222	
1-43	887665	CONV 22W DP FULL PAD L P222	
1-43	887666	CONV 22W DP DSK W/F PAD R P222	
1-43	887667	CONV 22W DP DSK W/F PAD L P222	
1-43	887668	CONV 22W DP FLL W/F PAD R P222	
1-43	887669	CONV 22W DP FLL W/F PAD L P222	
1-43	887670	CONV 22W HT ADJ DSK PAD R P222	
1-43	887671	CONV 22W HT ADJ DSK PAD L P222	
1-43	887672	CONV 22W HT ADJ FLL PAD R P222	
1-43	887673	CONV 22W HT ADJ FLL PAD L P222	
1-43	887674	CONV 22W HT ADJ DSK W/F R P222	
1-43	887675	CONV 22W HT ADJ DSK W/F L P222	
1-43	887676	CONV 22W HT ADJ FLL W/F R P222	
1-43	887677	CONV 22W HT ADJ FLL W/F L P222	
1-43	887678	CONV 24W DP DESK PAD R P222	
1-43	887679	CONV 24W DP DESK PAD L P222	
1-43	887680	CONV 24W DP FULL PAD R P222	
1-43	887681	CONV 24W DP FULL PAD L P222	

Pos.	Item Number	Description	Remarks
1-43	887682	CONV 24W DP DSK W/F PAD R P222	
1-43	887683	CONV 24W DP DSK W/F PAD L P222	
1-43	887684	CONV 24W DP FLL W/F PAD R P222	
1-43	887685	CONV 24W DP FLL W/F PAD L P222	
1-43	887686	CONV 24W HT ADJ DSK PAD R P222	
1-43	887687	CONV 24W HT ADJ DSK PAD L P222	
1-43	887688	CONV 24W HT ADJ FLL PAD R P222	
1-43	887689	CONV 24W HT ADJ FLL PAD L P222	
1-43	887690	CONV 24W HT ADJ DSK W/F R P222	
1-43	887691	CONV 24W HT ADJ DSK W/F L P222	
1-43	887692	CONV 24W HT ADJ FLL W/F R P222	
1-43	887693	CONV 24W HT ADJ FLL W/F L P222	
1-43	887800	CONV 14W FXD SH DP DESK PAD R	
1-43	887801	CONV 14W FXD SH DP DESK PAD L	
1-43	887802	CONV 14W FXD SH DP FULL PAD R	
1-43	887803	CONV 14W FXD SH DP FULL PAD L	
1-43	887804	CONV 14W FXD LNG DP DESK PAD R	
1-43	887805	CONV 14W FXD LNG DP DESK PAD L	
1-43	887806	CONV 14W FXD LNG DP FULL PAD R	
1-43	887807	CONV 14W FXD LNG DP FULL PAD L	
1-43	887808	CONV 14W FXD SH DP DESK W/F R	
1-43	887809	CONV 14W FXD SH DP DESK W/F L	
1-43	887810	CONV 14W FXD SH DP FULL W/F R	
1-43	887811	CONV 14W FXD SH DP FULL W/F L	
1-43	887812	CONV 14W FXD LNG DP DESK W/F R	
1-43	887813	CONV 14W FXD LNG DP DESK W/F L	
1-43	887814	CONV 14W FXD LNG DP FULL W/F R	
1-43	887815	CONV 14W FXD LNG DP FULL W/F L	
1-43	887816	CONV 15W FXD SH DP DESK PAD R	
1-43	887817	CONV 15W FXD SH DP DESK PAD L	
1-43	887818	CONV 15W FXD SH DP FULL PAD R	
1-43	887819	CONV 15W FXD SH DP FULL PAD L	
1-43	887820	CONV 15W FXD LNG DP DESK PAD R	
1-43	887821	CONV 15W FXD LNG DP DESK PAD L	
1-43	887822	CONV 15W FXD LNG DP FULL PAD R	
1-43	887823	CONV 15W FXD LNG DP FULL PAD L	
1-43	887824	CONV 15W FXD SH DP DESK W/F R	
1-43	887825	CONV 15W FXD SH DP DESK W/F L	
1-43	887826	CONV 15W FXD SH DP FULL W/F R	
1-43	887827	CONV 15W FXD SH DP FULL W/F L	
1-43	887828	CONV 15W FXD LNG DP DESK W/F R	
1-43	887829	CONV 15W FXD LNG DP DESK W/F L	
1-43	887830	CONV 15W FXD LNG DP FULL W/F R	
1-43	887831	CONV 15W FXD LNG DP FULL W/F L	
1-43	887832	CONV 16W FXD SH DP DESK PAD R	
1-43	887833	CONV 16W FXD SH DP DESK PAD L	
1-43	887834	CONV 16W FXD SH DP FULL PAD R	
1-43	887835	CONV 16W FXD SH DP FULL PAD L	
1-43	887836	CONV 16W FXD LNG DP DESK PAD R	
1-43	887837	CONV 16W FXD LNG DP DESK PAD L	
1-43	887838	CONV 16W FXD LNG DP FULL PAD R	
1-43	887839	CONV 16W FXD LNG DP FULL PAD L	
1-43	887840	CONV 16W FXD SH DP DESK W/F R	
1-43	887841	CONV 16W FXD SH DP DESK W/F L	
1-43	887842	CONV 16W FXD SH DP FULL W/F R	
1-43	887843	CONV 16W FXD SH DP FULL W/F L	

Pos.	Item Number	Description	Remarks
1-43	887844	CONV 16W FXD LNG DP DESK W/F R	
1-43	887845	CONV 16W FXD LNG DP DESK W/F L	
1-43	887846	CONV 16W FXD LNG DP FULL W/F R	
1-43	887847	CONV 16W FXD LNG DP FULL W/F L	
1-43	887848	CONV 17W FXD SH DP DESK PAD R	
1-43	887849	CONV 17W FXD SH DP DESK PAD L	
1-43	887850	CONV 17W FXD SH DP FULL PAD R	
1-43	887851	CONV 17W FXD SH DP FULL PAD L	
1-43	887852	CONV 17W FXD LNG DP DESK PAD R	
1-43	887853	CONV 17W FXD LNG DP DESK PAD L	
1-43	887854	CONV 17W FXD LNG DP FULL PAD R	
1-43	887855	CONV 17W FXD LNG DP FULL PAD L	
1-43	887856	CONV 17W FXD SH DP DESK W/F R	
1-43	887857	CONV 17W FXD SH DP DESK W/F L	
1-43	887858	CONV 17W FXD SH DP FULL W/F R	
1-43	887859	CONV 17W FXD SH DP FULL W/F L	
1-43	887860	CONV 17W FXD LNG DP DESK W/F R	
1-43	887861	CONV 17W FXD LNG DP DESK W/F L	
1-43	887862	CONV 17W FXD LNG DP FULL W/F R	
1-43	887863	CONV 17W FXD LNG DP FULL W/F L	
1-43	887864	CONV 18W FXD SH DP DESK PAD R	
1-43	887865	CONV 18W FXD SH DP DESK PAD L	
1-43	887866	CONV 18W FXD SH DP FULL PAD R	
1-43	887867	CONV 18W FXD SH DP FULL PAD L	
1-43	887868	CONV 18W FXD LNG DP DESK PAD R	
1-43	887869	CONV 18W FXD LNG DP DESK PAD L	
1-43	887870	CONV 18W FXD LNG DP FULL PAD R	
1-43	887871	CONV 18W FXD LNG DP FULL PAD L	
1-43	887872	CONV 18W FXD SH DP DESK W/F R	
1-43	887873	CONV 18W FXD SH DP DESK W/F L	
1-43	887874	CONV 18W FXD SH DP FULL W/F R	
1-43	887875	CONV 18W FXD SH DP FULL W/F L	
1-43	887876	CONV 18W FXD LNG DP DESK W/F R	
1-43	887877	CONV 18W FXD SH DP FULL W/F L	
1-43	887878	CONV 18W FXD LNG DP FULL W/F R	
1-43	887879	CONV 18W FXD LNG DP FULL W/F L	
1-43	887880	CONV 19W FXD SH DP DESK PAD R	
1-43	887881	CONV 19W FXD SH DP DESK PAD L	
1-43	887882	CONV 19W FXD SH DP FULL PAD R	
1-43	887883	CONV 19W FXD SH DP FULL PAD L	
1-43	887884	CONV 19W FXD LNG DP DESK PAD R	
1-43	887885	CONV 19W FXD LNG DP DESK PAD L	
1-43	887886	CONV 19W FXD LNG DP FULL PAD R	
1-43	887887	CONV 19W FXD LNG DP FULL PAD L	
1-43	887888	CONV 19W FXD SH DP DESK W/F R	
1-43	887889	CONV 19W FXD SH DP DESK W/F L	
1-43	887890	CONV 19W FXD SH DP FULL W/F R	
1-43	887891	CONV 19W FXD SH DP FULL W/F L	
1-43	887892	CONV 19W FXD LNG DP DESK W/F R	
1-43	887893	CONV 19W FXD LNG DP DESK W/F L	
1-43	887894	CONV 19W FXD LNG DP FULL W/F R	
1-43	887895	CONV 19W FXD LNG DP FULL W/F L	
1-43	887896	CONV 20W FXD SH DP DESK PAD R	
1-43	887897	CONV 20W FXD SH DP DESK PAD L	
1-43	887898	CONV 20W FXD SH DP FULL PAD R	
1-43	887899	CONV 20W FXD SH DP FULL PAD L	

Pos.	Item Number	Description	Remarks
1-43	887900	CONV 20W FXD LNG DP DESK PAD R	
1-43	887901	CONV 20W FXD LNG DP DESK PAD L	
1-43	887902	CONV 20W FXD LNG DP FULL PAD R	
1-43	887903	CONV 20W FXD LNG DP FULL PAD L	
1-43	887904	CONV 20W FXD SH DP DESK W/F R	
1-43	887905	CONV 20W FXD SH DP DESK W/F L	
1-43	887906	CONV 20W FXD SH DP FULL W/F R	
1-43	887907	CONV 20W FXD SH DP FULL W/F L	
1-43	887908	CONV 20W FXD LNG DP DESK W/F R	
1-43	887909	CONV 20W FXD LNG DP DESK W/F L	
1-43	887910	CONV 20W FXD LNG DP FULL W/F R	
1-43	887911	CONV 20W FXD LNG DP FULL W/F L	
1-43	887912	CONV 22W FXD SH DP DESK PAD R	
1-43	887913	CONV 22W FXD SH DP DESK PAD L	
1-43	887914	CONV 22W FXD SH DP FULL PAD R	
1-43	887915	CONV 22W FXD SH DP FULL PAD L	
1-43	887916	CONV 22W FXD LNG DP DESK PAD R	
1-43	887917	CONV 22W FXD LNG DP DESK PAD L	
1-43	887918	CONV 22W FXD LNG DP FULL PAD R	
1-43	887919	CONV 22W FXD LNG DP FULL PAD L	
1-43	887920	CONV 22W FXD SH DP DESK W/F R	
1-43	887921	CONV 22W FXD SH DP DESK W/F L	
1-43	887922	CONV 22W FXD SH DP FULL W/F R	
1-43	887923	CONV 22W FXD SH DP FULL W/F L	
1-43	887924	CONV 22W FXD LNG DP DESK W/F R	
1-43	887925	CONV 22W FXD LNG DP DESK W/F L	
1-43	887926	CONV 22W FXD LNG DP FULL W/F R	
1-43	887927	CONV 22W FXD LNG DP FULL W/F L	
1-43	887928	CONV 24W FXD SH DP DESK PAD R	
1-43	887929	CONV 24W FXD SH DP DESK PAD L	
1-43	887930	CONV 24W FXD SH DP FULL PAD R	
1-43	887931	CONV 24W FXD SH DP FULL PAD L	
1-43	887932	CONV 24W FXD LNG DP DESK PAD R	
1-43	887933	CONV 24W FXD LNG DP DESK PAD L	
1-43	887934	CONV 24W FXD LNG DP FULL PAD R	
1-43	887935	CONV 24W FXD LNG DP FULL PAD L	
1-43	887936	CONV 24W FXD SH DP DESK W/F R	
1-43	887937	CONV 24W FXD SH DP DESK W/F L	
1-43	887938	CONV 24W FXD SH DP FULL W/F R	
1-43	887939	CONV 24W FXD SH DP FULL W/F L	
1-43	887940	CONV 24W FXD LNG DP DESK W/F R	
1-43	887941	CONV 24W FXD LNG DP DESK W/F L	
1-43	887942	CONV 24W FXD LNG DP FULL W/F R	
1-43	887943	CONV 24W FXD LNG DP FULL W/F L	
31-33,40-43	883010	WHL LCK PUSH R W/O CLMP BLK	
31-33,40-43	883011	WHL LCK PUSH L W/O CLMP BLK	
26,35,37	880544	BRAKE MOUNT TUBE W/HDWR	
36,38,39	900513	BRAKE HOUSING ASSM P222	



Pos.	Item Number	Description
1	389050	TIRE PUMP
2	381230	VALVE ADAPTER PRESTA

Product